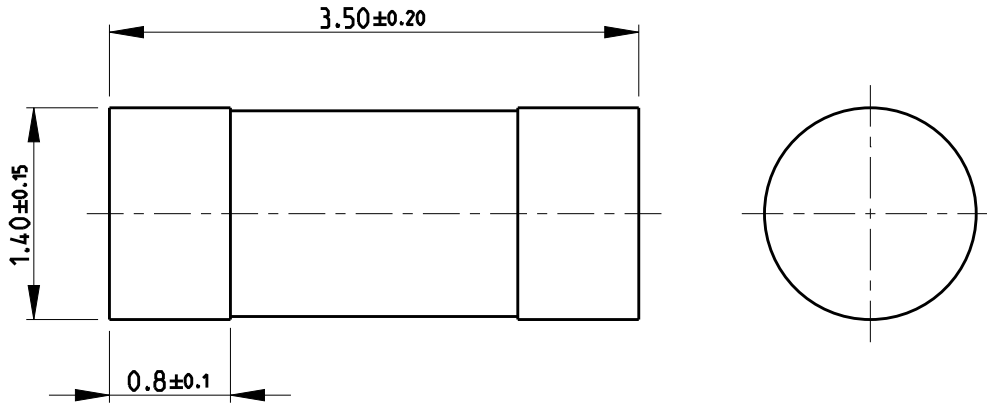


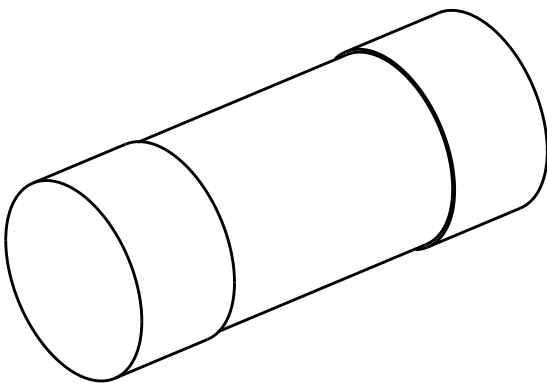
REVISIONS

P	LTR	DESCRIPTION	DATE	DWN	APVD
	BA	NEW RELEASE	20JAN2020	SB	AP


FOR FURTHER INFORMATION SEE DATA SHEET OF SMA-SERIES MELF RESISTORS



© 2020 TE Connectivity. All Rights Reserved.



RoHS Compliant

DIMENSIONS: mm		DWN SHRICHARANA B 20JAN2020	MATERIAL -	FINISH -
TOLERANCES UNLESS OTHERWISE SPECIFIED:		CHK ALLAN.P 20JAN2020	 TE Connectivity	
0 PLC ± 0.2 1 PLC ± 0.1 2 PLC \pm 3 PLC \pm 4 PLC \pm ANGLES $\pm 5^\circ$		APVD ALLAN.P 20JAN2020		
		PRODUCT SPEC -	NAME MELF RESISTORS SMA-A0204 SERIES	
		APPLICATION SPEC -	SIZE A4	CAGE CODE 00779
		WEIGHT -	DRAWING NO C-2176351	RESTRICTED TO -
CUSTOMER DRAWING			SCALE 40:1	SHEET 1 OF 1
			REV BA	