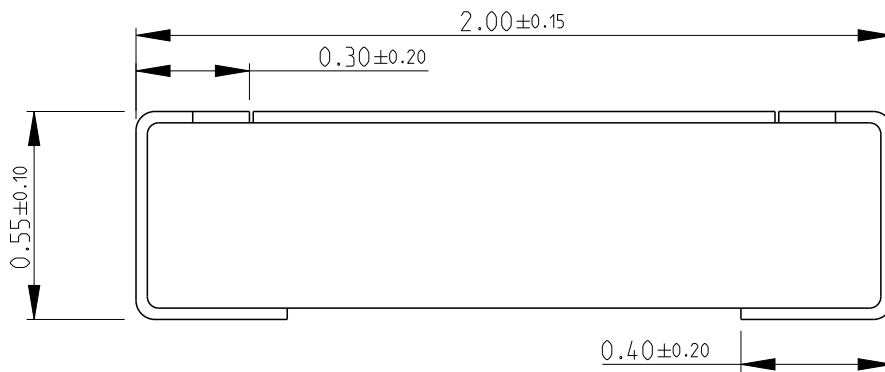
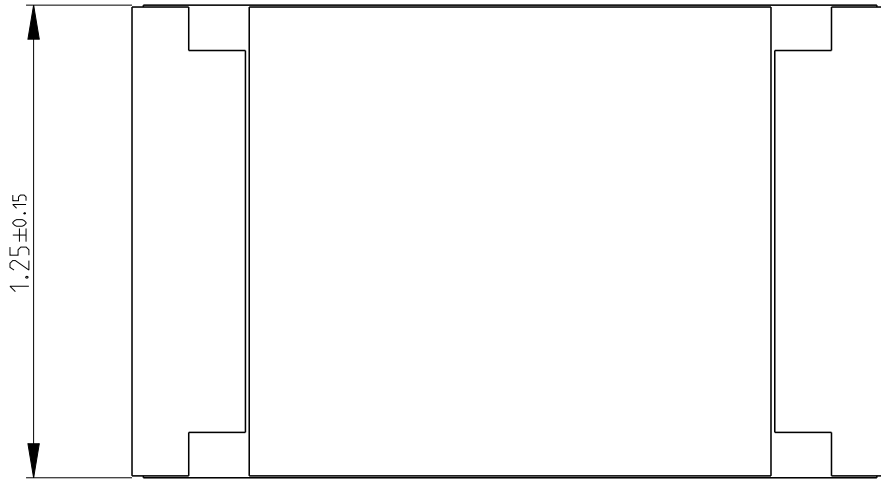


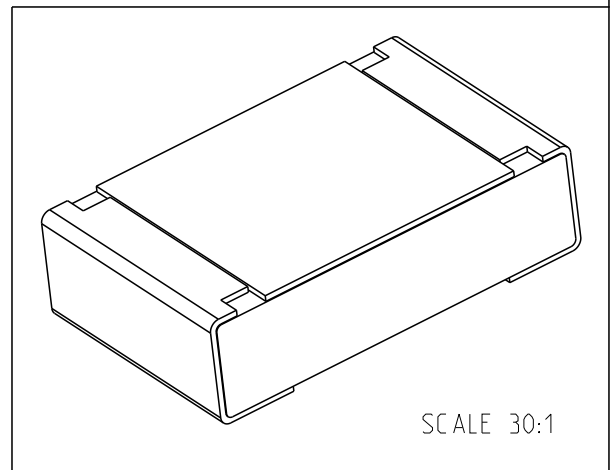
REVISIONS					
P	LTR	DESCRIPTION	DATE	DWN	APVD
	A	NEW DRAWING	21MAY2018	GCM	AP
	B	ECR-20-007393	28MAY2020	SR	AP



NOTES:

- FOR FURTHER INFORMATION SEE DATA SHEET FOR RQ73 SERIES AEC-Q200 THIN FILM PRECISION RESISTORS.

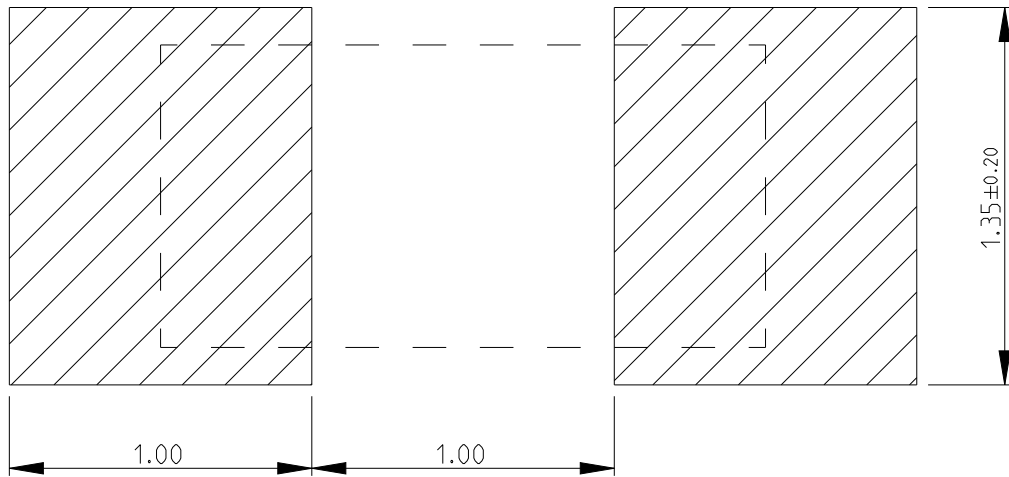
RoHS Compliant



© 2020 TE Connectivity. All Rights Reserved.


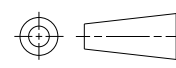
DIMENSIONS: mm	DWN	GANESH C M	21MAY2018	MATERIAL	-	FINISH	-
	CHK	ALLAN.P	21MAY2018				
TOLERANCES UNLESS OTHERWISE SPECIFIED:	APVD	ALLAN.P	21MAY2018				
	0 PLC	±0.5	PRODUCT SPEC	NAME	SMD Thin Film Precision Resistors - AEC-Q200 Compliant - Type RQ73 0805 Series		
1 PLC	±0.2	APPLICATION SPEC	SIZE	CAGE CODE	DRAWING NO	RESTRICTED TO	
2 PLC	±0.1		A 4	00779	C=2176374		
3 PLC	±						
4 PLC	±						
ANGLES	±5°	WEIGHT					
			CUSTOMER DRAWING				
			SCALE	50:1	SHEET	1 OF 2	REV B

REVISIONS					
P	LTR	DESCRIPTION	DATE	DWN	APVD
-		SEE SHEET 1	-	-	-



RECOMMENDED LAND PATTERN

© 2020 TE Connectivity. All Rights Reserved.

DIMENSIONS: mm		DWN GANESH C M 21MAY2018	MATERIAL -	FINISH -		
TOLERANCES UNLESS OTHERWISE SPECIFIED: 0 PLC ±0.5 1 PLC ±0.2 2 PLC ±0.1 3 PLC ± 4 PLC ± ANGLES ±5°		CHK ALLAN.P 21MAY2018				
		APVD ALLAN.P 21MAY2018				
		PRODUCT SPEC -	NAME SMD Thin Film Precision Resistors - AEC-Q200 Compliant - Type RQ73 0805 Series			
		APPLICATION SPEC -	SIZE A 4	CAGE CODE 00779	DRAWING NO C=2176374	RESTRICTED TO
WEIGHT -		CUSTOMER DRAWING		SCALE NTS	SHEET 2 OF 2	REV B