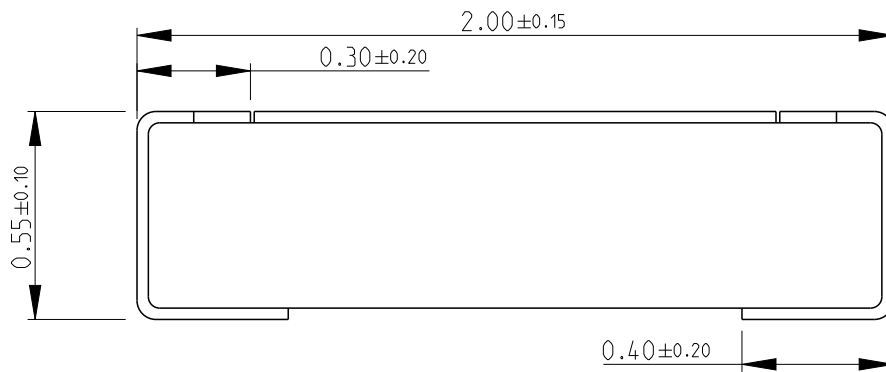
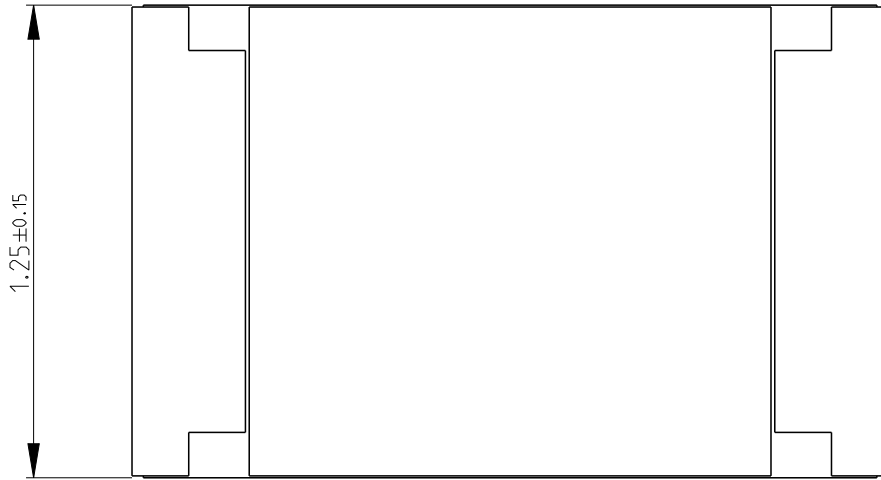


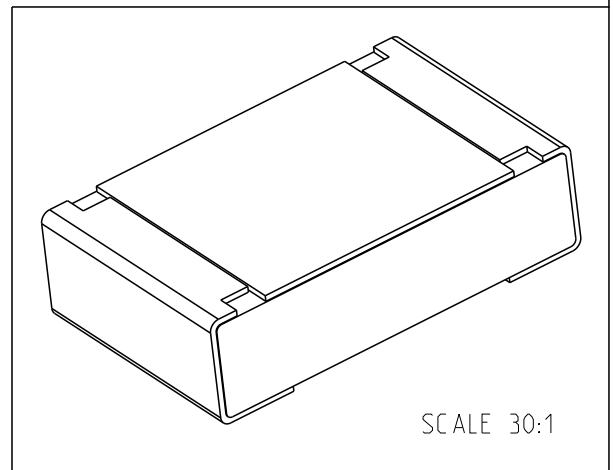
REVISIONS					
P	LTR	DESCRIPTION	DATE	DWN	APVD
	A	NEW DRAWING	21MAY2018	GCM	AP
	B	ECR-20-007404	28MAY2020	SR	AP




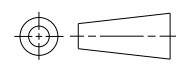
NOTES:

- FOR FURTHER INFORMATION SEE DATA SHEET FOR RQ73 SERIES AEC-Q200 THIN FILM PRECISION RESISTORS.

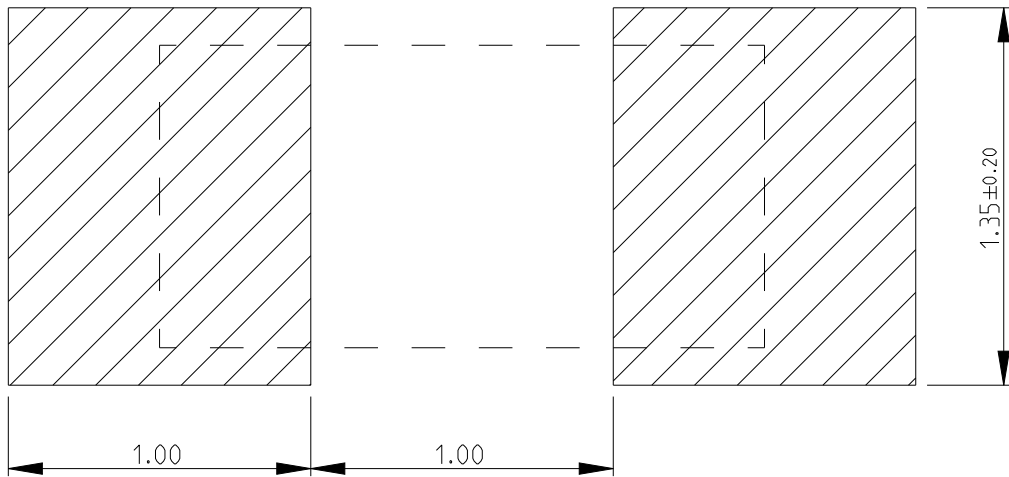
RoHS Compliant



© 2020 TE Connectivity. All Rights Reserved.

DIMENSIONS: mm		DWN GANESH C M	21MAY2018	MATERIAL	-	FINISH	-
TOLERANCES UNLESS OTHERWISE SPECIFIED:		CHK ALLAN.P	21MAY2018	 TE Connectivity			
		APVD ALLAN.P	21MAY2018				
0 PLC ±0.5		PRODUCT SPEC		NAME SMD Thin Film Precision Resistors - AEC-Q200 Compliant - Type RQ73 0805 Series			
1 PLC ±0.2		-					
2 PLC ±0.1		APPLICATION SPEC		SIZE	CAGE CODE	DRAWING NO	RESTRICTED TO
3 PLC ±		-		A 4	00779	©-2176382	
4 PLC ±		WEIGHT					
ANGLES 5°		-					
		CUSTOMER DRAWING		SCALE	50:1	SHEET	1 OF 2
						REV	B

REVISIONS					
P	LTR	DESCRIPTION	DATE	DWN	APVD
-		SEE SHEET 1	-	-	-



RECOMMENDED LAND PATTERN

© 2020 TE Connectivity. All Rights Reserved.

DIMENSIONS: mm		DWN GANESH C M	21MAY2018	MATERIAL	-	FINISH	-
TOLERANCES UNLESS OTHERWISE SPECIFIED: 0 PLC ±0.5 1 PLC ±0.2 2 PLC ±0.1 3 PLC ± 4 PLC ± ANGLES ±5°		CHK ALLAN.P	21MAY2018				
		APVD ALLAN.P	21MAY2018				
		PRODUCT SPEC	-	NAME SMD Thin Film Precision Resistors - AEC-Q200 Compliant - Type RQ73 0805 Series			
		APPLICATION SPEC	-	SIZE	CAGE CODE	DRAWING NO	RESTRICTED TO
		WEIGHT	-	A 4	00779	C=2176382	
		CUSTOMER DRAWING			SCALE	NTS	SHEET
						REV	B