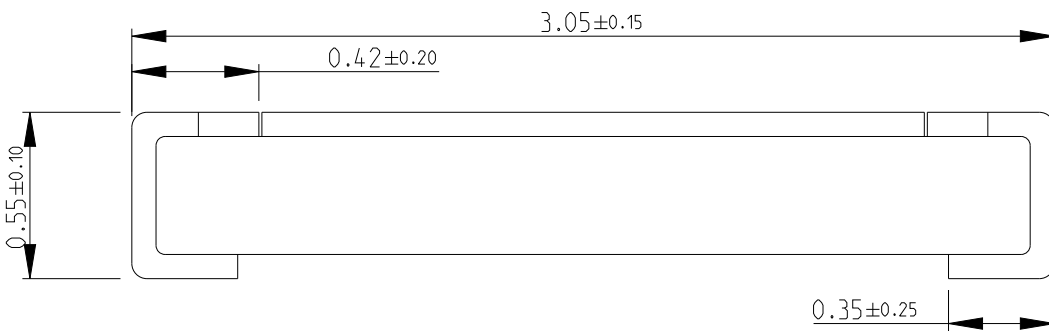
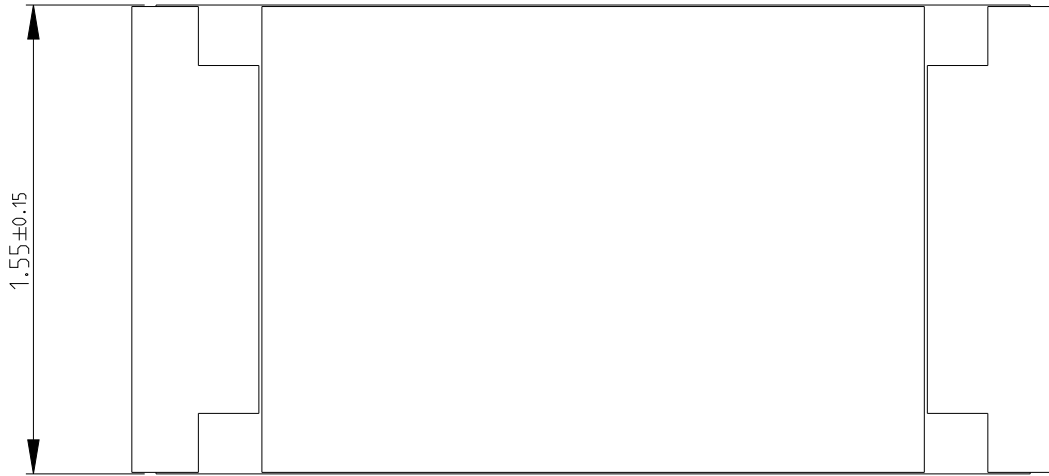


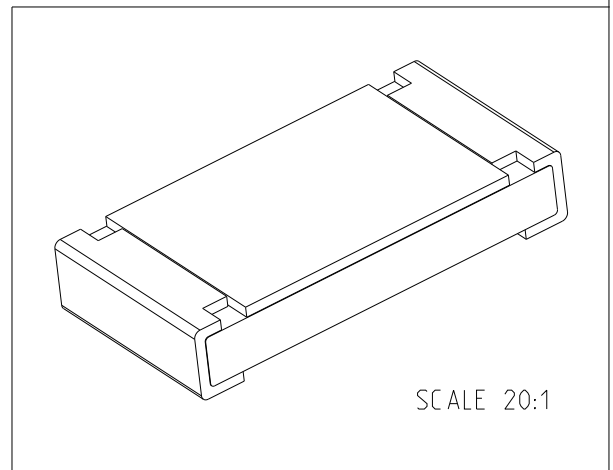
REVISIONS					
P	LTR	DESCRIPTION	DATE	DWN	APVD
	A	NEW DRAWING	21MAY2018	GCM	AP
	B	ECR-20-007406	28MAY2020	SR	AP
	C	REVISED PER ECR-23-188753	30AUG2024	DM	TG



NOTES:

- FOR FURTHER INFORMATION SEE DATA SHEET FOR RQ73 SERIES AEC-Q200 THIN FILM PRECISION RESISTORS.

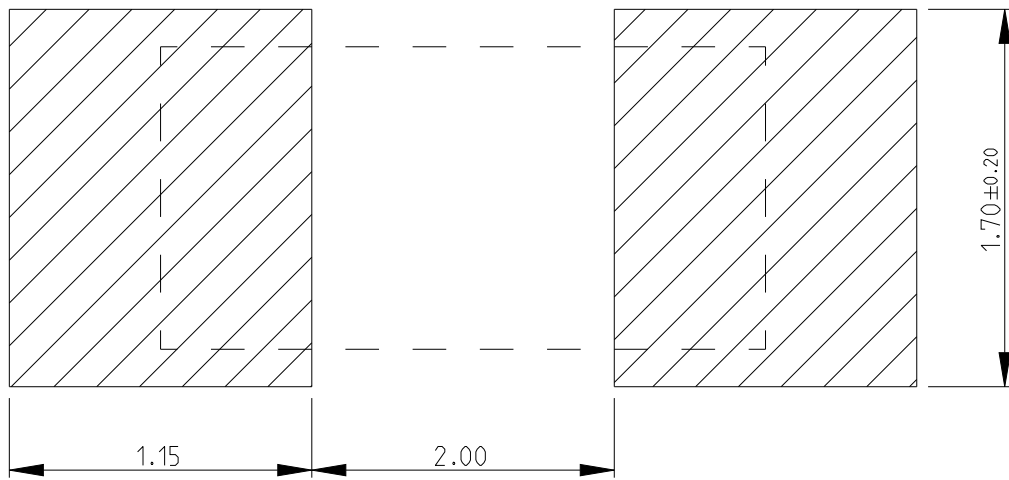
RoHS Compliant



© 2020 TE Connectivity. All Rights Reserved.


DIMENSIONS: mm	DWN GANESH C M	21MAY2018	MATERIAL	-	FINISH	-
	CHK ALLAN.P	21MAY2018				
TOLERANCES UNLESS OTHERWISE SPECIFIED:	APVD ALLAN.P	21MAY2018				
	0 PLC ±0.5	PRODUCT SPEC	NAME SMD Thin Film Precision Resistors - AEC-Q200 Compliant - Type RQ73 1206 Series			
1 PLC ±0.2	APPLICATION SPEC	-	SIZE	CAGE CODE	DRAWING NO	RESTRICTED TO
2 PLC ±0.1			A 4	00779	C=2176387	
3 PLC ±						
4 PLC ±						
ANGLES ±5°	WEIGHT	-				
	CUSTOMER DRAWING			SCALE	40:1	SHEET 1 OF 2
						REV C

REVISIONS					
P	LTR	DESCRIPTION	DATE	DWN	APVD
	-	SEE SHEET 1	-	-	-



### RECOMMENDED LAND PATTERN

© 2020 TE Connectivity. All Rights Reserved.

DIMENSIONS: mm	DWN GANESH C M	21MAY2018	MATERIAL	-	FINISH	-			
	CHK ALLAN.P	21MAY2018							
TOLERANCES UNLESS OTHERWISE SPECIFIED:  0 PLC ±0.5 1 PLC ±0.2 2 PLC ±0.1 3 PLC ± 4 PLC ± ANGLES ±5°	APVD ALLAN.P	21MAY2018					NAME	SMD Thin Film Precision Resistors - AEC-Q200 Compliant - Type RQ73 1206 Series	
	PRODUCT SPEC	-	SIZE	CAGE CODE	DRAWING NO	RESTRICTED TO			
	APPLICATION SPEC	-	A 4	00779	C=2176387				
	WEIGHT	-	CUSTOMER DRAWING				SCALE 40:1	SHEET 2 OF 2	REV C