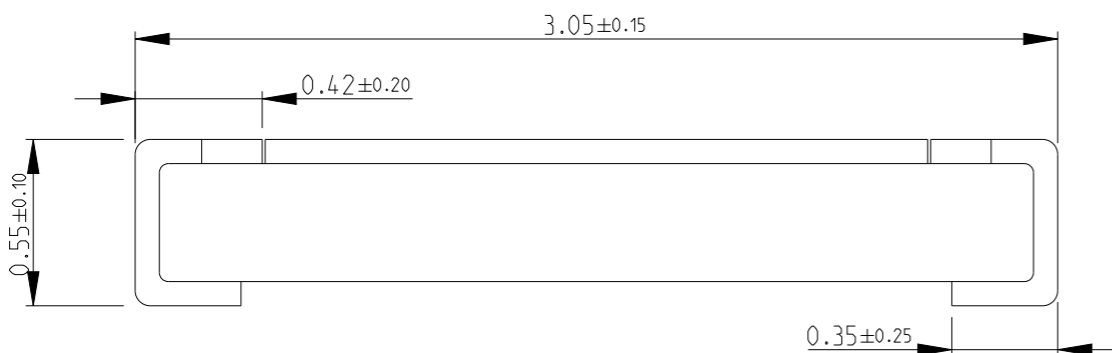
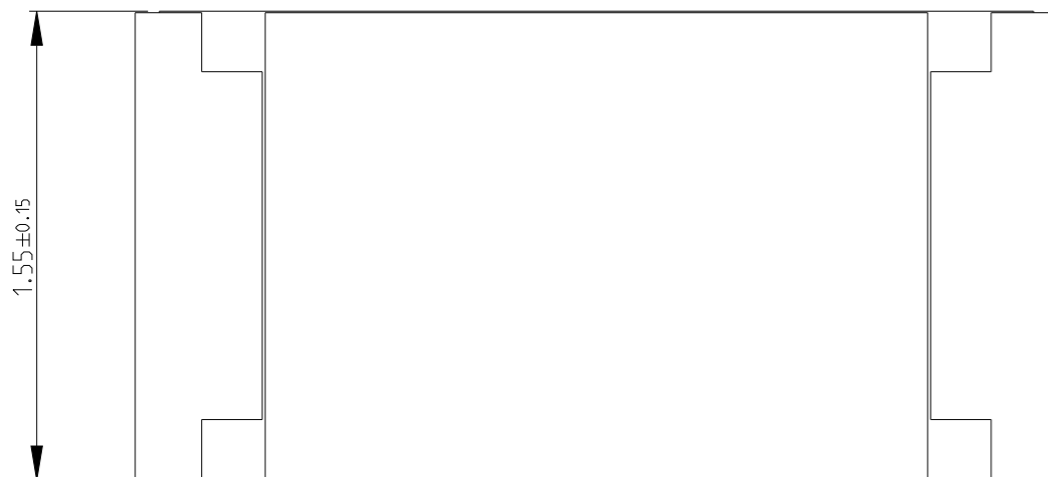


REVISIONS

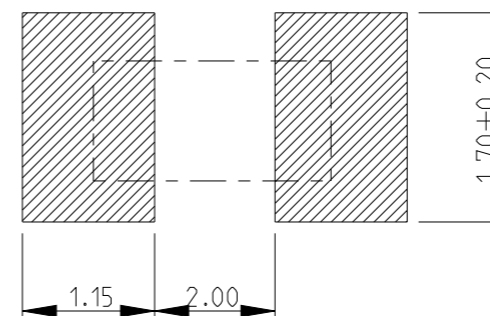
P	LTR	DESCRIPTION	DATE	DWN	APVD
	A	NEW DRAWING	21MAY2018	GCM	AP
	B	ECR-20-007406	28MAY2020	SR	AP
	B1	SCHEDULE ADDED TO DRAWING	06MAR2023	DM	AP
	C	REVISED PER ECR-23-188755	30AUG2024	DM	TG

NOTES:

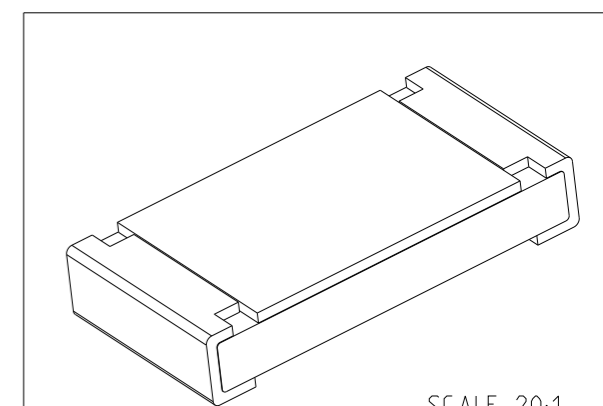
- FOR FURTHER INFORMATION SEE DATA SHEET FOR RQ73 SERIES AEC-Q200 THIN FILM PRECISION RESISTORS.



RECOMMENDED LAND PATTERN

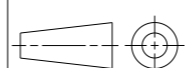


RoHS Compliant



THIS DRAWING IS A CONTROLLED DOCUMENT.

DIMENSIONS:  
mm



TOLERANCES UNLESS OTHERWISE SPECIFIED:

0 PLC	±0.5
1 PLC	±0.2
2 PLC	±0.1
3 PLC	±
4 PLC	±
ANGLES	±5°

MATERIAL  
-

FINISH  
-

DWN 21MAY2018  
GANESH C M

CHK 21MAY2018  
ALLAN.P

APVD 21MAY2018  
ALLAN.P

PRODUCT SPEC

APPLICATION SPEC

WEIGHT

CUSTOMER DRAWING

NAME  
SMD THIN FILM PRECISION RESISTORS -  
AEC-Q200 COMPLIANT TYPE RQ73 1206 SERIES

SIZE CAGE CODE DRAWING NO RESTRICTED TO

A3 00779 C=2176388

SCALE 40:1 SHEET 1 OF 3 REV C



REVISIONS

P	LTR	DESCRIPTION	DATE	DWN	APVD
	-	SEE SHEET 1	-	-	-

SCHEDULE

TCPN	CATALOGUE NUMBER	PART DESCRIPTION	PART STATUS
2176388-1	RQ73C2B10RBTD	RQ 1206 10R 0.1% 10PPM 5K RL	PRODUCTION
2176388-2	RQ73C2B10R2BTD	RQ 1206 10R2 0.1% 10PPM 5K RL	PRODUCTION
2176388-3	RQ73C2B10R5BTD	RQ 1206 10R5 0.1% 10PPM 5K RL	PRODUCTION
2176388-4	RQ73C2B10R7BTD	RQ 1206 10R7 0.1% 10PPM 5K RL	PRODUCTION
2176388-5	RQ73C2B11RBTD	RQ 1206 11R 0.1% 10PPM 5K RL	PRODUCTION
2176388-6	RQ73C2B11R3BTD	RQ 1206 11R3 0.1% 10PPM 5K RL	PRODUCTION
2176388-7	RQ73C2B11R5BTD	RQ 1206 11R5 0.1% 10PPM 5K RL	PRODUCTION
2176388-8	RQ73C2B11R8BTD	RQ 1206 11R8 0.1% 10PPM 5K RL	PRODUCTION
2176388-9	RQ73C2B12R1BTD	RQ 1206 12R1 0.1% 10PPM 5K RL	PRODUCTION
1-2176388-0	RQ73C2B12R4BTD	RQ 1206 12R4 0.1% 10PPM 5K RL	PRODUCTION
1-2176388-1	RQ73C2B12R7BTD	RQ 1206 12R7 0.1% 10PPM 5K RL	PRODUCTION
1-2176388-2	RQ73C2B13RBTD	RQ 1206 13R 0.1% 10PPM 5K RL	PRODUCTION
1-2176388-3	RQ73C2B13R3BTD	RQ 1206 13R3 0.1% 10PPM 5K RL	PRODUCTION
1-2176388-4	RQ73C2B13R7BTD	RQ 1206 13R7 0.1% 10PPM 5K RL	PRODUCTION
1-2176388-5	RQ73C2B14RBTD	RQ 1206 14R 0.1% 10PPM 5K RL	PRODUCTION
1-2176388-6	RQ73C2B14R3BTD	RQ 1206 14R3 0.1% 10PPM 5K RL	PRODUCTION
1-2176388-7	RQ73C2B14R7BTD	RQ 1206 14R7 0.1% 10PPM 5K RL	PRODUCTION
1-2176388-8	RQ73C2B15RBTD	RQ 1206 15R 0.1% 10PPM 5K RL	PRODUCTION
1-2176388-9	RQ73C2B15R4BTD	RQ 1206 15R4 0.1% 10PPM 5K RL	PRODUCTION
2-2176388-0	RQ73C2B15R8BTD	RQ 1206 15R8 0.1% 10PPM 5K RL	PRODUCTION
2-2176388-1	RQ73C2B16R2BTD	RQ 1206 16R2 0.1% 10PPM 5K RL	PRODUCTION
2-2176388-2	RQ73C2B16R5BTD	RQ 1206 16R5 0.1% 10PPM 5K RL	PRODUCTION
2-2176388-3	RQ73C2B16R9BTD	RQ 1206 16R9 0.1% 10PPM 5K RL	PRODUCTION
2-2176388-4	RQ73C2B17R4BTD	RQ 1206 17R4 0.1% 10PPM 5K RL	PRODUCTION
2-2176388-5	RQ73C2B17R8BTD	RQ 1206 17R8 0.1% 10PPM 5K RL	PRODUCTION
2-2176388-6	RQ73C2B18R2BTD	RQ 1206 18R2 0.1% 10PPM 5K RL	PRODUCTION
2-2176388-7	RQ73C2B18R7BTD	RQ 1206 18R7 0.1% 10PPM 5K RL	PRODUCTION
2-2176388-8	RQ73C2B19R1BTD	RQ 1206 19R1 0.1% 10PPM 5K RL	PRODUCTION
2-2176388-9	RQ73C2B19R6BTD	RQ 1206 19R6 0.1% 10PPM 5K RL	PRODUCTION
3-2176388-0	RQ73C2B20RBTD	RQ 1206 20R 0.1% 10PPM 5K RL	PRODUCTION
3-2176388-1	RQ73C2B20R5BTD	RQ 1206 20R5 0.1% 10PPM 5K RL	PRODUCTION
3-2176388-2	RQ73C2B21RBTD	RQ 1206 21R 0.1% 10PPM 5K RL	PRODUCTION
3-2176388-3	RQ73C2B21R5BTD	RQ 1206 21R5 0.1% 10PPM 5K RL	PRODUCTION

SCHEDULE

TCPN	CATALOGUE NUMBER	PART DESCRIPTION	PART STATUS
3-2176388-4	RQ73C2B22R1BTD	RQ 1206 22R1 0.1% 10PPM 5K RL	PRODUCTION
3-2176388-5	RQ73C2B22R6BTD	RQ 1206 22R6 0.1% 10PPM 5K RL	PRODUCTION
3-2176388-6	RQ73C2B23R2BTD	RQ 1206 23R2 0.1% 10PPM 5K RL	PRODUCTION
3-2176388-7	RQ73C2B23R7BTD	RQ 1206 23R7 0.1% 10PPM 5K RL	PRODUCTION
3-2176388-8	RQ73C2B24R3BTD	RQ 1206 24R3 0.1% 10PPM 5K RL	PRODUCTION
3-2176388-9	RQ73C2B24R9BTD	RQ 1206 24R9 0.1% 10PPM 5K RL	PRODUCTION
4-2176388-0	RQ73C2B25R5BTD	RQ 1206 25R5 0.1% 10PPM 5K RL	PRODUCTION
4-2176388-1	RQ73C2B26R1BTD	RQ 1206 26R1 0.1% 10PPM 5K RL	PRODUCTION
4-2176388-2	RQ73C2B26R7BTD	RQ 1206 26R7 0.1% 10PPM 5K RL	PRODUCTION
4-2176388-3	RQ73C2B27R4BTD	RQ 1206 27R4 0.1% 10PPM 5K RL	PRODUCTION
4-2176388-4	RQ73C2B28RBTD	RQ 1206 28R 0.1% 10PPM 5K RL	PRODUCTION
4-2176388-5	RQ73C2B28R7BTD	RQ 1206 28R7 0.1% 10PPM 5K RL	PRODUCTION
4-2176388-6	RQ73C2B29R4BTD	RQ 1206 29R4 0.1% 10PPM 5K RL	PRODUCTION
4-2176388-7	RQ73C2B30R1BTD	RQ 1206 30R1 0.1% 10PPM 5K RL	PRODUCTION
4-2176388-8	RQ73C2B30R9BTD	RQ 1206 30R9 0.1% 10PPM 5K RL	PRODUCTION
4-2176388-9	RQ73C2B31R6BTD	RQ 1206 31R6 0.1% 10PPM 5K RL	PRODUCTION
5-2176388-0	RQ73C2B32R4BTD	RQ 1206 32R4 0.1% 10PPM 5K RL	PRODUCTION
5-2176388-1	RQ73C2B33R2BTD	RQ 1206 33R2 0.1% 10PPM 5K RL	PRODUCTION
5-2176388-2	RQ73C2B34RBTD	RQ 1206 34R 0.1% 10PPM 5K RL	PRODUCTION
5-2176388-3	RQ73C2B34R8BTD	RQ 1206 34R8 0.1% 10PPM 5K RL	PRODUCTION
5-2176388-4	RQ73C2B35R7BTD	RQ 1206 35R7 0.1% 10PPM 5K RL	PRODUCTION
5-2176388-5	RQ73C2B36R5BTD	RQ 1206 36R5 0.1% 10PPM 5K RL	PRODUCTION
5-2176388-6	RQ73C2B37R4BTD	RQ 1206 37R4 0.1% 10PPM 5K RL	PRODUCTION
5-2176388-7	RQ73C2B38R3BTD	RQ 1206 38R3 0.1% 10PPM 5K RL	PRODUCTION
5-2176388-8	RQ73C2B39R2BTD	RQ 1206 39R2 0.1% 10PPM 5K RL	PRODUCTION
5-2176388-9	RQ73C2B40R2BTD	RQ 1206 40R2 0.1% 10PPM 5K RL	PRODUCTION
6-2176388-0	RQ73C2B41R2BTD	RQ 1206 41R2 0.1% 10PPM 5K RL	PRODUCTION
6-2176388-1	RQ73C2B42R2BTD	RQ 1206 42R2 0.1% 10PPM 5K RL	PRODUCTION
6-2176388-2	RQ73C2B43R2BTD	RQ 1206 43R2 0.1% 10PPM 5K RL	PRODUCTION
6-2176388-3	RQ73C2B44R2BTD	RQ 1206 44R2 0.1% 10PPM 5K RL	PRODUCTION
6-2176388-4	RQ73C2B45R3BTD	RQ 1206 45R3 0.1% 10PPM 5K RL	PRODUCTION
6-2176388-5	RQ73C2B46R4BTD	RQ 1206 46R4 0.1% 10PPM 5K RL	PRODUCTION
6-2176388-6	RQ73C2B47R5BTD	RQ 1206 47R5 0.1% 10PPM 5K RL	PRODUCTION

THIS DRAWING IS A CONTROLLED DOCUMENT.

DWN GANESH C M 21MAY2018

CHK ALLAN.P 21MAY2018

APVD ALLAN.P 21MAY2018

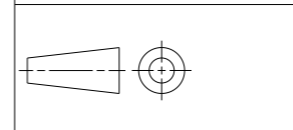
PRODUCT SPEC

APPLICATION SPEC

WEIGHT -

CUSTOMER DRAWING

DIMENSIONS: mm



MATERIAL -

TOLERANCES UNLESS OTHERWISE SPECIFIED:

0 PLC	±0.5
1 PLC	±0.2
2 PLC	±0.1
3 PLC	±
4 PLC	±
ANGLES	±5°
FINISH	-

FINISH -



TE Connectivity

NAME SMD THIN FILM PRECISION RESISTORS - AEC-Q200 COMPLIANT TYPE RQ73 1206 SERIES

SIZE CAGE CODE DRAWING NO RESTRICTED TO

A3 00779 C-2176388

SCALE 40:1 SHEET 2 OF 3 REV C

REVISIONS

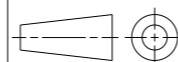
P	LTR	DESCRIPTION	DATE	DWN	APVD
-		SEE SHEET 1	-	-	-

SCHEDULE

TCPN	CATALOGUE NUMBER	PART DESCRIPTION	PART STATUS
6-2176388-7	RQ73C2B48R7BTD	RQ 1206 48R7 0.1% 10PPM 5K RL	PRODUCTION
6-2176388-8	RQ73C2B49R9BTD	RQ 1206 49R9 0.1% 10PPM 5K RL	PRODUCTION
6-2176388-9	RQ73C2B51R1BTD	RQ 1206 51R1 0.1% 10PPM 5K RL	PRODUCTION
7-2176388-0	RQ73C2B52R3BTD	RQ 1206 52R3 0.1% 10PPM 5K RL	PRODUCTION
7-2176388-1	RQ73C2B53R6BTD	RQ 1206 53R6 0.1% 10PPM 5K RL	PRODUCTION
7-2176388-2	RQ73C2B54R9BTD	RQ 1206 54R9 0.1% 10PPM 5K RL	PRODUCTION
7-2176388-3	RQ73C2B56R2BTD	RQ 1206 56R2 0.1% 10PPM 5K RL	PRODUCTION
7-2176388-4	RQ73C2B57R6BTD	RQ 1206 57R6 0.1% 10PPM 5K RL	PRODUCTION
7-2176388-5	RQ73C2B59RBTD	RQ 1206 59R 0.1% 10PPM 5K RL	PRODUCTION
7-2176388-6	RQ73C2B60R4BTD	RQ 1206 60R4 0.1% 10PPM 5K RL	PRODUCTION
7-2176388-7	RQ73C2B61R9BTD	RQ 1206 61R9 0.1% 10PPM 5K RL	PRODUCTION
7-2176388-8	RQ73C2B63R4BTD	RQ 1206 63R4 0.1% 10PPM 5K RL	PRODUCTION
7-2176388-9	RQ73C2B64R9BTD	RQ 1206 64R9 0.1% 10PPM 5K RL	PRODUCTION
8-2176388-0	RQ73C2B66R5BTD	RQ 1206 66R5 0.1% 10PPM 5K RL	PRODUCTION
8-2176388-1	RQ73C2B68R1BTD	RQ 1206 68R1 0.1% 10PPM 5K RL	PRODUCTION
8-2176388-2	RQ73C2B69R8BTD	RQ 1206 69R8 0.1% 10PPM 5K RL	PRODUCTION
8-2176388-3	RQ73C2B71R5BTD	RQ 1206 71R5 0.1% 10PPM 5K RL	PRODUCTION
8-2176388-4	RQ73C2B73R2BTD	RQ 1206 73R2 0.1% 10PPM 5K RL	PRODUCTION
8-2176388-5	RQ73C2B75RBTD	RQ 1206 75R 0.1% 10PPM 5K RL	PRODUCTION
8-2176388-6	RQ73C2B76R8BTD	RQ 1206 76R8 0.1% 10PPM 5K RL	PRODUCTION
8-2176388-7	RQ73C2B78R7BTD	RQ 1206 78R7 0.1% 10PPM 5K RL	PRODUCTION
8-2176388-8	RQ73C2B80R6BTD	RQ 1206 80R6 0.1% 10PPM 5K RL	PRODUCTION
8-2176388-9	RQ73C2B82R5BTD	RQ 1206 82R5 0.1% 10PPM 5K RL	PRODUCTION
9-2176388-0	RQ73C2B84R5BTD	RQ 1206 84R5 0.1% 10PPM 5K RL	PRODUCTION
9-2176388-1	RQ73C2B86R6BTD	RQ 1206 86R6 0.1% 10PPM 5K RL	PRODUCTION
9-2176388-2	RQ73C2B88R7BTD	RQ 1206 88R7 0.1% 10PPM 5K RL	PRODUCTION
9-2176388-3	RQ73C2B90R9BTD	RQ 1206 90R9 0.1% 10PPM 5K RL	PRODUCTION
9-2176388-4	RQ73C2B93R1BTD	RQ 1206 93R1 0.1% 10PPM 5K RL	PRODUCTION
9-2176388-5	RQ73C2B95R3BTD	RQ 1206 95R3 0.1% 10PPM 5K RL	PRODUCTION
9-2176388-6	RQ73C2B97R6BTD	RQ 1206 97R6 0.1% 10PPM 5K RL	PRODUCTION
9-2176388-7	RQ73C2B100RBTD	RQ 1206 100R 0.1% 10PPM 5K RL	PRODUCTION
9-2176388-8	RQ73C2B102RBTD	RQ 1206 102R 0.1% 10PPM 5K RL	PRODUCTION
9-2176388-9	RQ73C2B105RBTD	RQ 1206 105R 0.1% 10PPM 5K RL	PRODUCTION

THIS DRAWING IS A CONTROLLED DOCUMENT.

DIMENSIONS:  
mm



MATERIAL

TOLERANCES UNLESS OTHERWISE SPECIFIED:

- 0 PLC ±0.5
- 1 PLC ±0.2
- 2 PLC ±0.1
- 3 PLC ±
- 4 PLC ±
- ANGLES ±°

FINISH

DWN GANESH C M 21MAY2018

CHK ALLAN.P 21MAY2018

APVD ALLAN.P 21MAY2018

PRODUCT SPEC

APPLICATION SPEC

WEIGHT

CUSTOMER DRAWING



TE Connectivity

NAME SMD THIN FILM PRECISION RESISTORS - AEC-Q200 COMPLIANT TYPE RQ73 1206 SERIES

SIZE CAGE CODE DRAWING NO RESTRICTED TO

A3 00779 C-2176388

SCALE 40:1 SHEET 3 OF 3 REV C