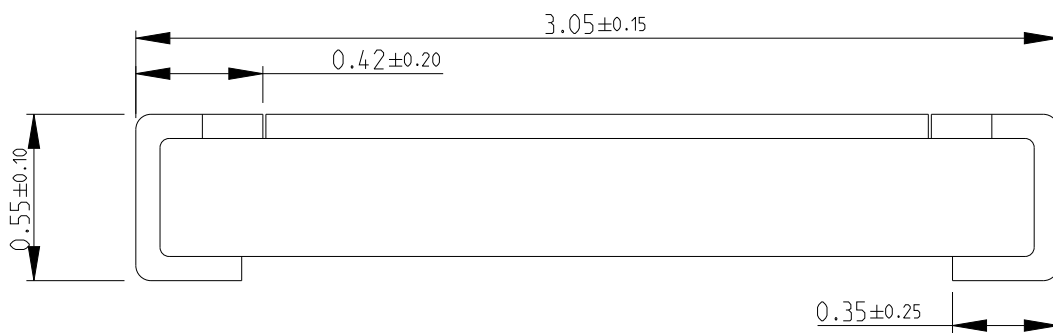
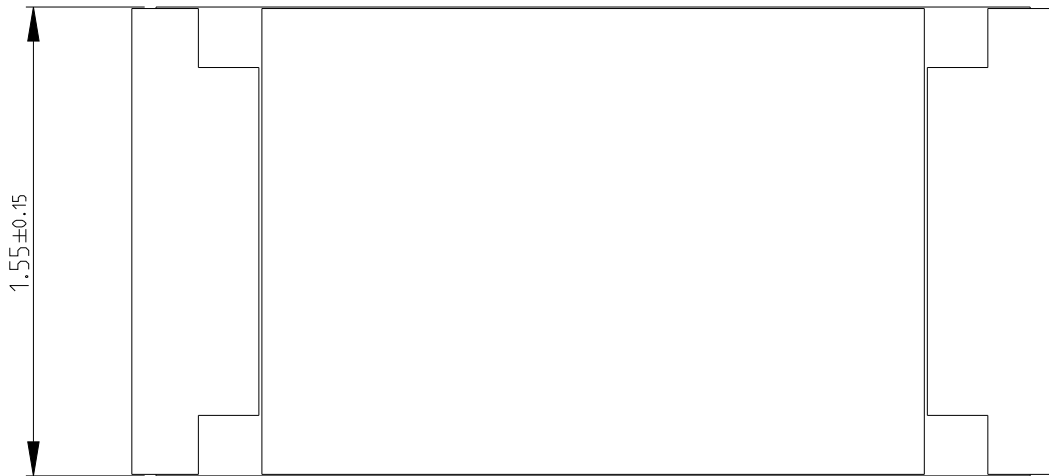


REVISIONS

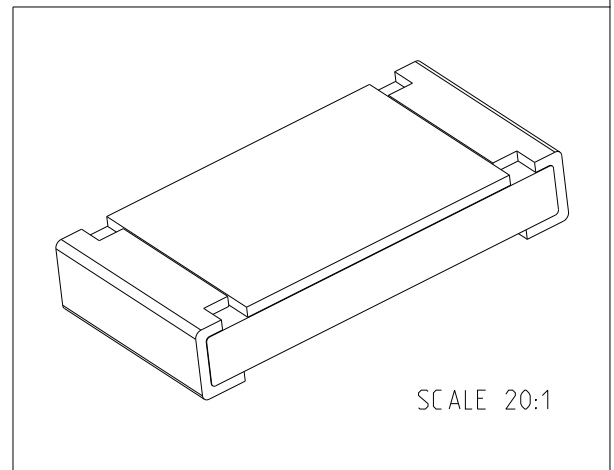
P	LTR	DESCRIPTION	DATE	DWN	APVD
	A	NEW DRAWING	21MAY2018	GCM	AP
	B	ECR-20-007413	29MAY2020	SR	AP
	C	REVISED PER ECR-23-188755	30AUG2024	DM	TG



NOTES:

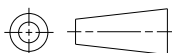
- FOR FURTHER INFORMATION SEE DATA SHEET FOR RQ73 SERIES AEC-Q200 THIN FILM PRECISION RESISTORS.

RoHS Compliant

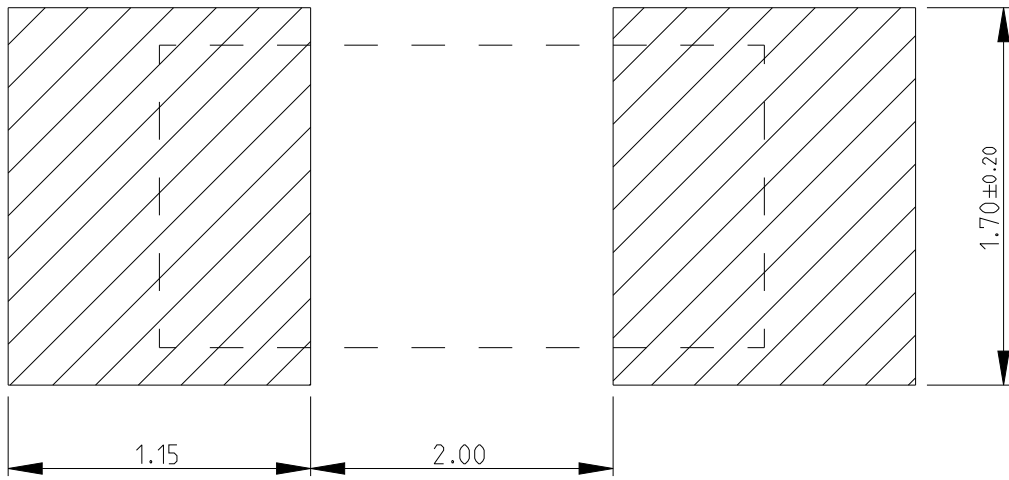


© 2020 TE Connectivity. All Rights Reserved.

DIMENSIONS: mm	DWN GANESH C M	21MAY2018	MATERIAL	-	FINISH	-
	CHK ALLAN.P	21MAY2018				
TOLERANCES UNLESS OTHERWISE SPECIFIED:	APVD ALLAN.P	21MAY2018				
	0 PLC ±0.5	PRODUCT SPEC	NAME	SMD Thin Film Precision Resistors - AEC-Q200 Compliant - Type RQ73 1206 Series		
1 PLC ±0.2	APPLICATION SPEC	SIZE	CAGE CODE	DRAWING NO	RESTRICTED TO	
2 PLC ±0.1		A 4	00779	C=2176392		
3 PLC ±		CUSTOMER DRAWING				
4 PLC ±	WEIGHT	-	SCALE	40:1	SHEET 1 OF 2	
ANGLES ±5°					REV C	



REVISIONS					
P	LTR	DESCRIPTION	DATE	DWN	APVD
	-	SEE SHEET 1	-	-	-



RECOMMENDED LAND PATTERN

© 2020 TE Connectivity. All Rights Reserved.

DIMENSIONS: mm  TOLERANCES UNLESS OTHERWISE SPECIFIED: 0 PLC ±0.5 1 PLC ±0.2 2 PLC ±0.1 3 PLC ± 4 PLC ± ANGLES ±5°	DWN GANESH C M 21MAY2018	MATERIAL	FINISH			
	CHK ALLAN.P 21MAY2018					
APVD ALLAN.P 21MAY2018	NAME SMD Thin Film Precision Resistors - AEC-Q200 Compliant - Type RQ73 1206 Series					
PRODUCT SPEC -	APPLICATION SPEC -	SIZE A 4	CAGE CODE 00779	DRAWING NO C=2176392	RESTRICTED TO	
	WEIGHT -	CUSTOMER DRAWING		SCALE 40:1	SHEET 2 OF 2	REV C