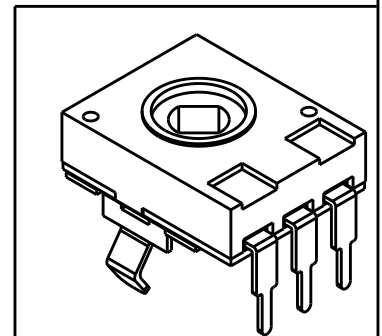
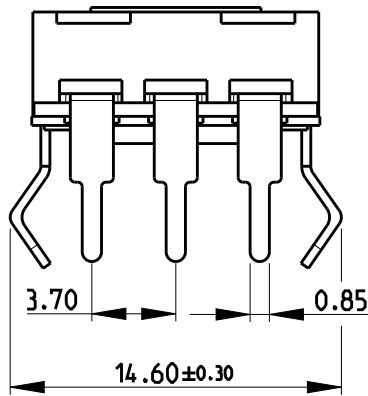
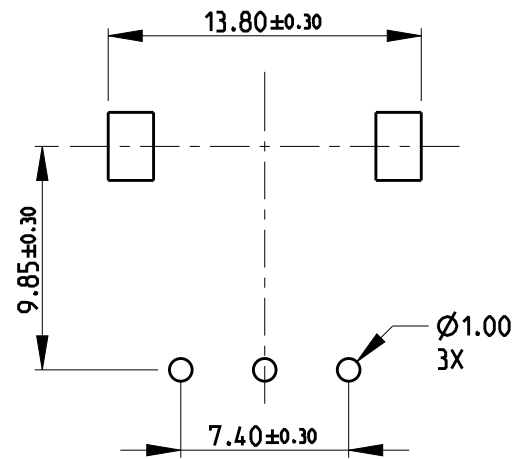
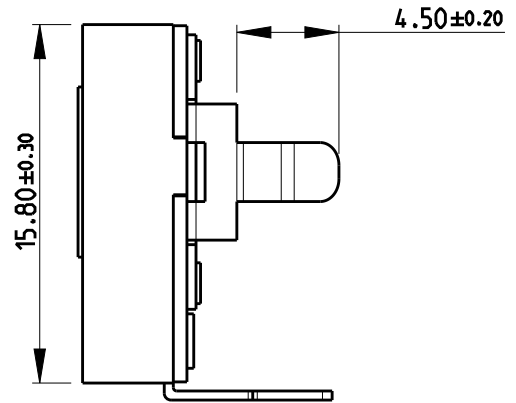
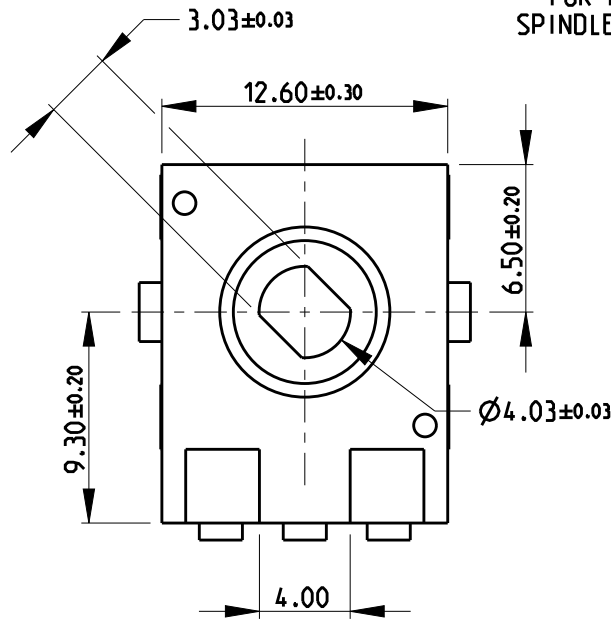


REVISIONS


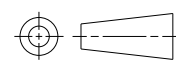
P	LTR	DESCRIPTION	DATE	DWN	APVD
	BA	INITIAL RELEASE	17OCT2019	SR	AP

FOR FURTHER INFORMATION SEE DATA SHEET FOR SPINDLE OPERATED POTENTIOMETERS TYPE 51T SERIES



RoHS Compliant

© 2019 TE Connectivity. All Rights Reserved.

DIMENSIONS: mm		DWN SUPREETH R 17OCT2019	MATERIAL -	FINISH -
TOLERANCES UNLESS OTHERWISE SPECIFIED:		CHK ALLAN P 17OCT2019	 TE Connectivity	
0 PLC ±	1 PLC ±	APVD -		
2 PLC ±	3 PLC ±	PRODUCT SPEC -	NAME SPINDLE OPERATED POTENTIOMETERS TYPE 51T SERIES	
4 PLC ±	ANGLES ±	APPLICATION SPEC -	SIZE A4	CAGE CODE 00779
		WEIGHT -	DRAWING NO C-2176394	RESTRICTED TO -
CUSTOMER DRAWING			SCALE 3:1	SHEET 1 OF 1
				REV BA