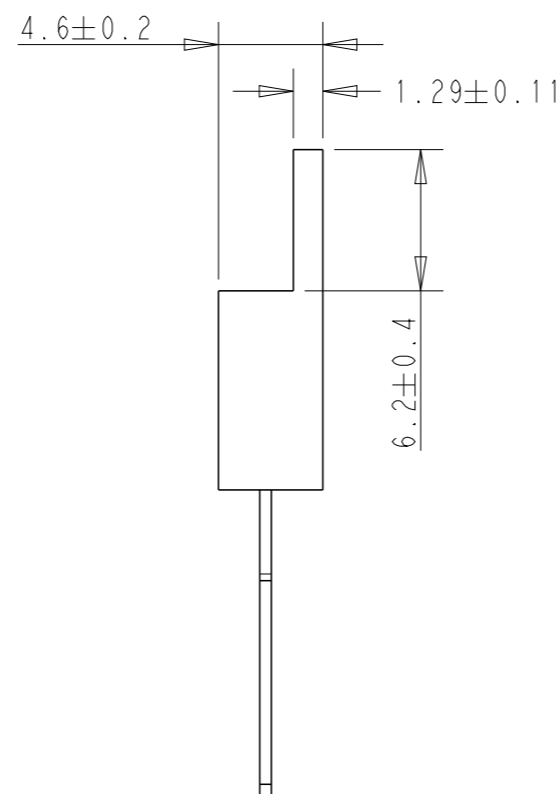
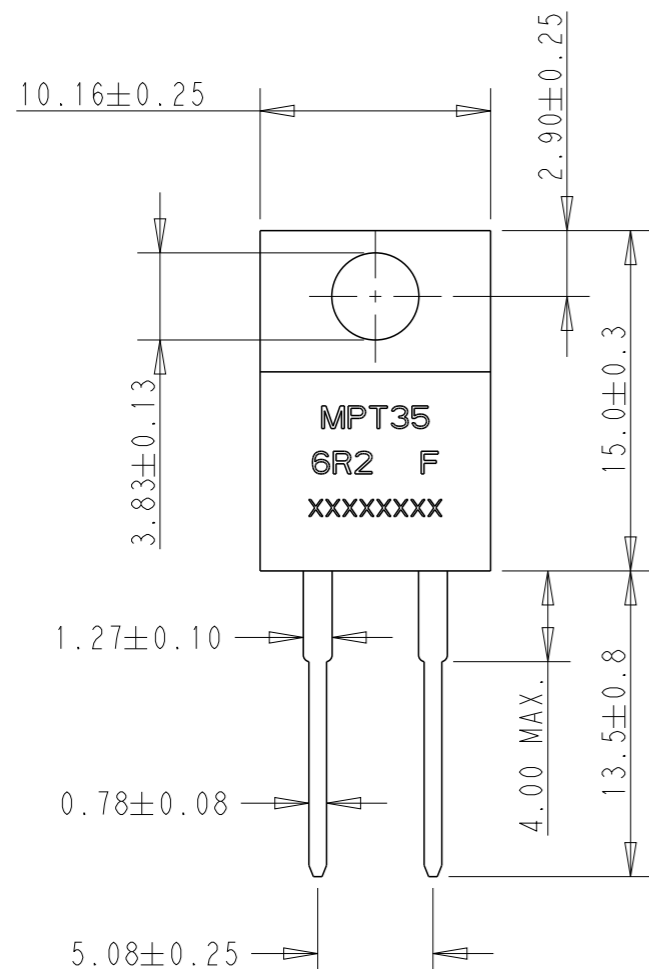
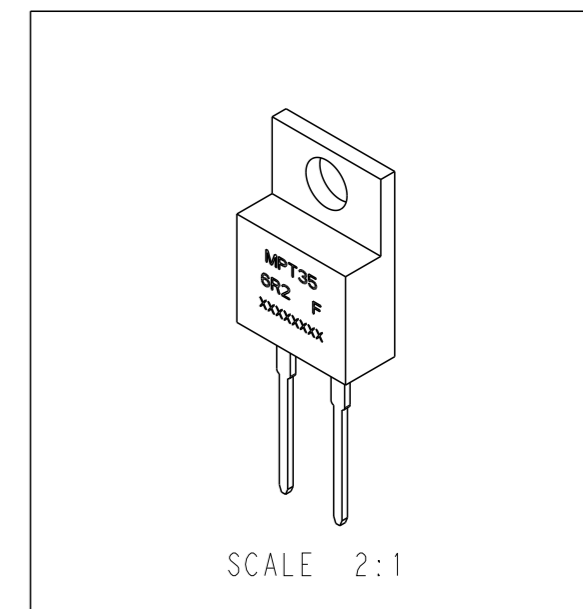
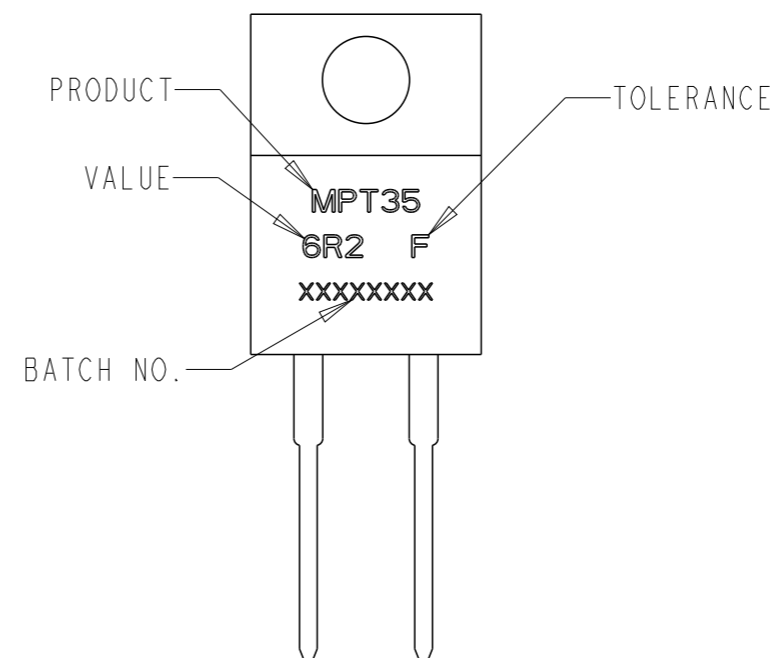


P	LTR	DESCRIPTION	DATE	DWN	APVD
	A	NEW DRAWING	14MAY2019	SR	AP
	B	REVISED PER ECR-19-009288	14JUN2019	SR	AP

Complete TIN	Product Number	Material Description	Resistance(Ω)	Weight (g)
2176410-1	MPT35C100RJ	MPT35 100R 5%	100	1.902
2176410-2	MPT35A6R8F	MPT35 6R8 1%	6.8	1.902
2176410-3	MPT35A6R2F	MPT35 6R2 1%	6.2	1.902
2176410-4	MPT35A6R2FS	MPT35 6R2 1% (SAMPLE)	6.2	1.902



FOR FURTHER INFORMATION SEE DATA SHEET FOR MPT SERIES-THICK FILM POWER RESISTORS



THIS DRAWING IS A CONTROLLED DOCUMENT.		DWN SUPREETH R 14MAY2019														
DIMENSIONS: mm		CHK A. PILE 14MAY2019														
TOLERANCES UNLESS OTHERWISE SPECIFIED:		APVD A. PILE 14MAY2019	NAME THICK FILM POWER RESISTOR TYPE MPT35 SERIES													
<table border="0"> <tr><td>0 PLC</td><td>±-</td></tr> <tr><td>1 PLC</td><td>±-</td></tr> <tr><td>2 PLC</td><td>±-</td></tr> <tr><td>3 PLC</td><td>±-</td></tr> <tr><td>4 PLC</td><td>±-</td></tr> <tr><td>ANGLES</td><td>±-</td></tr> </table>		0 PLC	±-	1 PLC	±-	2 PLC	±-	3 PLC	±-	4 PLC	±-	ANGLES	±-	PRODUCT SPEC -	SIZE A3 CAGE CODE 00779 DRAWING NO. C-2176410 RESTRICTED TO -	
0 PLC	±-															
1 PLC	±-															
2 PLC	±-															
3 PLC	±-															
4 PLC	±-															
ANGLES	±-															
MATERIAL -		APPLICATION SPEC -	SCALE 3:1 SHEET 1 OF 1 REV B													
FINISH -		WEIGHT -	CUSTOMER DRAWING													