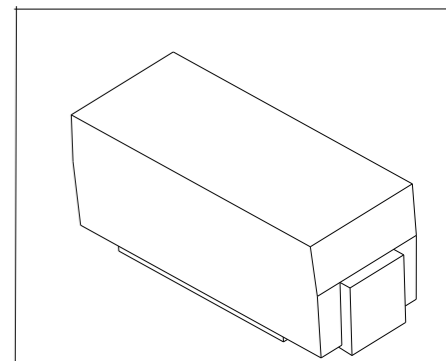
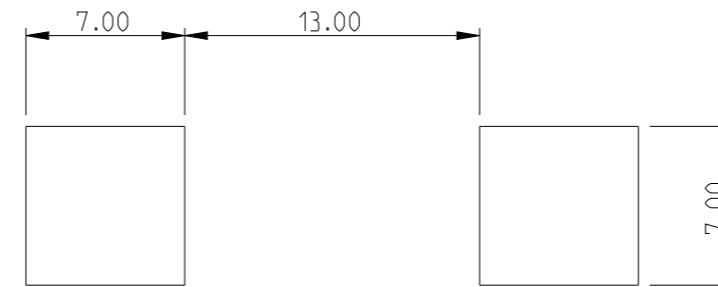
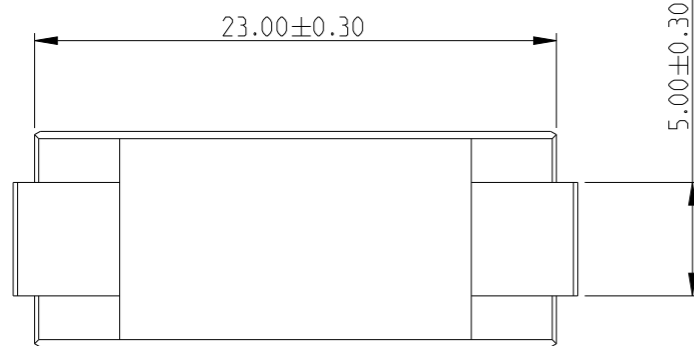
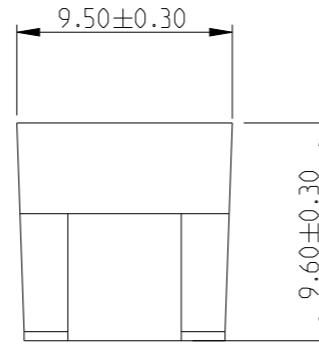
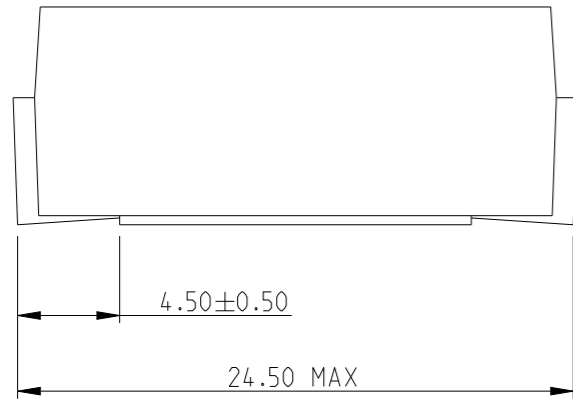


| P | LTR | DESCRIPTION               | DATE      | DWN | APVD |
|---|-----|---------------------------|-----------|-----|------|
|   | BA  | NEW RELEASE               | 13AUG2020 | SB  | AP   |
|   | BA1 | SCHEDULE ADDED TO DRAWING | 02NOV2023 | DM  | AP   |
|   |     |                           |           |     |      |
|   |     |                           |           |     |      |

FOR FURTHER INFORMATION SEE DATA SHEET FOR SERIES SM - SMD MOULDED POWER RESISTOR



|  |  |  |           |                             |           |
|--|--|--|-----------|-----------------------------|-----------|
| THIS DRAWING IS A CONTROLLED DOCUMENT. |  | DWN                                    | 23JUL2020 |                             |           |
|  |  | CHK                                    | 23JUL2020 |                             |           |
|  |  | APVD                                   | 23JUL2020 |                             |           |
| DIMENSIONS:                            |  | TOLERANCES UNLESS OTHERWISE SPECIFIED: |           | NAME                        |           |
| mm                                     |  |  |           | SMD MOULDED POWER RESISTORS |           |
|  |  | 0 PLC                                  | $\pm 0.2$ | TYPE SMF7 SERIES            |           |
|  |  | 1 PLC                                  | $\pm 0.1$ | SIZE                        | A3        |
|  |  | 2 PLC                                  | $\pm$     | CAGE CODE                   | 00779     |
|  |  | 3 PLC                                  | $\pm$     | DRAWING NO                  | C=2176460 |
|  |  | 4 PLC                                  | $\pm$     | RESTRICTED TO               | -         |
| MATERIAL                               |  | FINISH                                 |           | SCALE                       | 3:1       |
| -                                      |  | -                                      |           | SHEET                       | 1 OF 2    |
| -                                      |  | -                                      |           | REV                         | BA1       |

REVISIONS

| P | LTR | DESCRIPTION | DATE | DWN | APVD |
|---|-----|-------------|------|-----|------|
|   | -   | SEE SHEET 1 | -    | -   | -    |
|   |     |             |      |     |      |
|   |     |             |      |     |      |

SCHEDULE

| TCPN        | CATALOGUE NUMBER | PART DESCRIPTION    | PART STATUS |
|-------------|------------------|---------------------|-------------|
| 2176460-1   | SMF71K1JT        | SMF 7W 1K1 5% TAPED | PRODUCTION  |
| 2176460-2   | SMF71K2JT        | SMF 7W 1K2 5% TAPED | PRODUCTION  |
| 2176460-3   | SMF71K3JT        | SMF 7W 1K3 5% TAPED | PRODUCTION  |
| 2176460-4   | SMF71K5JT        | SMF 7W 1K5 5% TAPED | PRODUCTION  |
| 2176460-5   | SMF71K6JT        | SMF 7W 1K6 5% TAPED | PRODUCTION  |
| 2176460-6   | SMF71K8JT        | SMF 7W 1K8 5% TAPED | PRODUCTION  |
| 2176460-7   | SMF72K0JT        | SMF 7W 2K0 5% TAPED | PRODUCTION  |
| 2176460-8   | SMF72K2JT        | SMF 7W 2K2 5% TAPED | PRODUCTION  |
| 2176460-9   | SMF72K4JT        | SMF 7W 2K4 5% TAPED | PRODUCTION  |
| 1-2176460-0 | SMF72K7JT        | SMF 7W 2K7 5% TAPED | PRODUCTION  |
| 1-2176460-1 | SMF73K0JT        | SMF 7W 3K0 5% TAPED | PRODUCTION  |
| 1-2176460-2 | SMF73K3JT        | SMF 7W 3K3 5% TAPED | PRODUCTION  |
| 1-2176460-3 | SMF73K6JT        | SMF 7W 3K6 5% TAPED | PRODUCTION  |
| 1-2176460-4 | SMF73K9JT        | SMF 7W 3K9 5% TAPED | PRODUCTION  |
| 1-2176460-5 | SMF74K3JT        | SMF 7W 4K3 5% TAPED | PRODUCTION  |
| 1-2176460-6 | SMF74K7JT        | SMF 7W 4K7 5% TAPED | PRODUCTION  |
| 1-2176460-7 | SMF75K1JT        | SMF 7W 5K1 5% TAPED | PRODUCTION  |
| 1-2176460-8 | SMF75K6JT        | SMF 7W 5K6 5% TAPED | PRODUCTION  |
| 1-2176460-9 | SMF76K2JT        | SMF 7W 6K2 5% TAPED | PRODUCTION  |
| 2-2176460-0 | SMF76K8JT        | SMF 7W 6K8 5% TAPED | PRODUCTION  |
| 2-2176460-1 | SMF77K5JT        | SMF 7W 7K5 5% TAPED | PRODUCTION  |
| 2-2176460-2 | SMF78K2JT        | SMF 7W 8K2 5% TAPED | PRODUCTION  |
| 2-2176460-3 | SMF79K1JT        | SMF 7W 9K1 5% TAPED | PRODUCTION  |
| 2-2176460-4 | SMF710KJT        | SMF 7W 10K 5% TAPED | PRODUCTION  |
| 2-2176460-5 | SMF711KJT        | SMF 7W 11K 5% TAPED | PRODUCTION  |
| 2-2176460-6 | SMF712KJT        | SMF 7W 12K 5% TAPED | PRODUCTION  |
| 2-2176460-7 | SMF713KJT        | SMF 7W 13K 5% TAPED | PRODUCTION  |
| 2-2176460-8 | SMF715KJT        | SMF 7W 15K 5% TAPED | PRODUCTION  |
| 2-2176460-9 | SMF716KJT        | SMF 7W 16K 5% TAPED | PRODUCTION  |
| 3-2176460-0 | SMF718KJT        | SMF 7W 18K 5% TAPED | PRODUCTION  |
| 3-2176460-1 | SMF720KJT        | SMF 7W 20K 5% TAPED | PRODUCTION  |
| 3-2176460-2 | SMF722KJT        | SMF 7W 22K 5% TAPED | PRODUCTION  |
| 3-2176460-3 | SMF724KJT        | SMF 7W 24K 5% TAPED | PRODUCTION  |
| 3-2176460-4 | SMF727KJT        | SMF 7W 27K 5% TAPED | PRODUCTION  |
| 3-2176460-5 | SMF730KJT        | SMF 7W 30K 5% TAPED | PRODUCTION  |
| 3-2176460-6 | SMF733KJT        | SMF 7W 33K 5% TAPED | PRODUCTION  |
| 3-2176460-7 | SMF736KJT        | SMF 7W 36K 5% TAPED | PRODUCTION  |
| 3-2176460-8 | SMF739KJT        | SMF 7W 39K 5% TAPED | PRODUCTION  |
| 3-2176460-9 | SMF743KJT        | SMF 7W 43K 5% TAPED | PRODUCTION  |
| 4-2176460-0 | SMF747KJT        | SMF 7W 47K 5% TAPED | PRODUCTION  |

SCHEDULE

| TCPN        | CATALOGUE NUMBER | PART DESCRIPTION     | PART STATUS |
|-------------|------------------|----------------------|-------------|
| 4-2176460-1 | SMF751KJT        | SMF 7W 51K 5% TAPED  | PRODUCTION  |
| 4-2176460-2 | SMF756KJT        | SMF 7W 56K 5% TAPED  | PRODUCTION  |
| 4-2176460-3 | SMF762KJT        | SMF 7W 62K 5% TAPED  | PRODUCTION  |
| 4-2176460-4 | SMF768KJT        | SMF 7W 68K 5% TAPED  | PRODUCTION  |
| 4-2176460-5 | SMF775KJT        | SMF 7W 75K 5% TAPED  | PRODUCTION  |
| 4-2176460-6 | SMF782KJT        | SMF 7W 82K 5% TAPED  | PRODUCTION  |
| 4-2176460-7 | SMF791KJT        | SMF 7W 91K 5% TAPED  | PRODUCTION  |
| 4-2176460-8 | SMF7100KJT       | SMF 7W 100K 5% TAPED | PRODUCTION  |
| 4-2176460-9 | SMF7110KJT       | SMF 7W 110K 5% TAPED | PRODUCTION  |
| 5-2176460-0 | SMF7120KJT       | SMF 7W 120K 5% TAPED | PRODUCTION  |
| 5-2176460-1 | SMF7130KJT       | SMF 7W 130K 5% TAPED | PRODUCTION  |
| 5-2176460-2 | SMF7150KJT       | SMF 7W 150K 5% TAPED | PRODUCTION  |
| 5-2176460-3 | SMF7160KJT       | SMF 7W 160K 5% TAPED | PRODUCTION  |
| 5-2176460-4 | SMF7180KJT       | SMF 7W 180K 5% TAPED | PRODUCTION  |
| 5-2176460-5 | SMF7200KJT       | SMF 7W 200K 5% TAPED | PRODUCTION  |
| 5-2176460-6 | SMF7220KJT       | SMF 7W 220K 5% TAPED | PRODUCTION  |
| 5-2176460-7 | SMF7240KJT       | SMF 7W 240K 5% TAPED | PRODUCTION  |
| 5-2176460-8 | SMF7270KJT       | SMF 7W 270K 5% TAPED | PRODUCTION  |
| 5-2176460-9 | SMF7300KJT       | SMF 7W 300K 5% TAPED | PRODUCTION  |
| 6-2176460-0 | SMF7330KJT       | SMF 7W 330K 5% TAPED | PRODUCTION  |
| 6-2176460-1 | SMF7360KJT       | SMF 7W 360K 5% TAPED | PRODUCTION  |
| 6-2176460-2 | SMF7390KJT       | SMF 7W 390K 5% TAPED | PRODUCTION  |
| 6-2176460-3 | SMF7430KJT       | SMF 7W 430K 5% TAPED | PRODUCTION  |
| 6-2176460-4 | SMF7470KJT       | SMF 7W 470K 5% TAPED | PRODUCTION  |
| 6-2176460-5 | SMF7510KJT       | SMF 7W 510K 5% TAPED | PRODUCTION  |
| 6-2176460-6 | SMF7560KJT       | SMF 7W 560K 5% TAPED | PRODUCTION  |
| 6-2176460-7 | SMF7620KJT       | SMF 7W 620K 5% TAPED | PRODUCTION  |
| 6-2176460-8 | SMF7680KJT       | SMF 7W 680K 5% TAPED | PRODUCTION  |
| 6-2176460-9 | SMF7750KJT       | SMF 7W 750K 5% TAPED | PRODUCTION  |
| 7-2176460-0 | SMF7820KJT       | SMF 7W 820K 5% TAPED | PRODUCTION  |
| 7-2176460-1 | SMF7910KJT       | SMF 7W 910K 5% TAPED | PRODUCTION  |
| 7-2176460-2 | SMF71M0JT        | SMF 7W 1M0 5% TAPED  | PRODUCTION  |
| 7-2176460-3 | SMF71M1JT        | SMF 7W 1M1 5% TAPED  | PRODUCTION  |
| 7-2176460-4 | SMF71M2JT        | SMF 7W 1M2 5% TAPED  | PRODUCTION  |
| 7-2176460-5 | SMF71M3JT        | SMF 7W 1M3 5% TAPED  | PRODUCTION  |
| 7-2176460-6 | SMF71M5JT        | SMF 7W 1M5 5% TAPED  | PRODUCTION  |
| 7-2176460-7 | SMF71M6JT        | SMF 7W 1M6 5% TAPED  | PRODUCTION  |
| 7-2176460-8 | SMF71M8JT        | SMF 7W 1M8 5% TAPED  | PRODUCTION  |
| 7-2176460-9 | SMF72M0JT        | SMF 7W 2M0 5% TAPED  | PRODUCTION  |

THIS DRAWING IS A CONTROLLED DOCUMENT.

DWN 23JUL2020

SHRICHARANA B

CHK 23JUL2020

ALLAN.P

APVD 23JUL2020

ALLAN.P

PRODUCT SPEC

-

APPLICATION SPEC

-

WEIGHT

-

CUSTOMER DRAWING



TE Connectivity

NAME SMD MOULDED POWER RESISTORS  
TYPE SMF7 SERIES

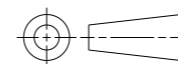
SIZE CAGE CODE DRAWING NO RESTRICTED TO

A3 00779 C-2176460 -

SCALE 3:1 SHEET 2 OF 2 REV BA1

DIMENSIONS:

mm



TOLERANCES UNLESS OTHERWISE SPECIFIED:

|        |      |
|--------|------|
| 0 PLC  | ±0.2 |
| 1 PLC  | ±0.1 |
| 2 PLC  | ±    |
| 3 PLC  | ±    |
| 4 PLC  | ±    |
| ANGLES | ±5°  |

MATERIAL

-

FINISH

-