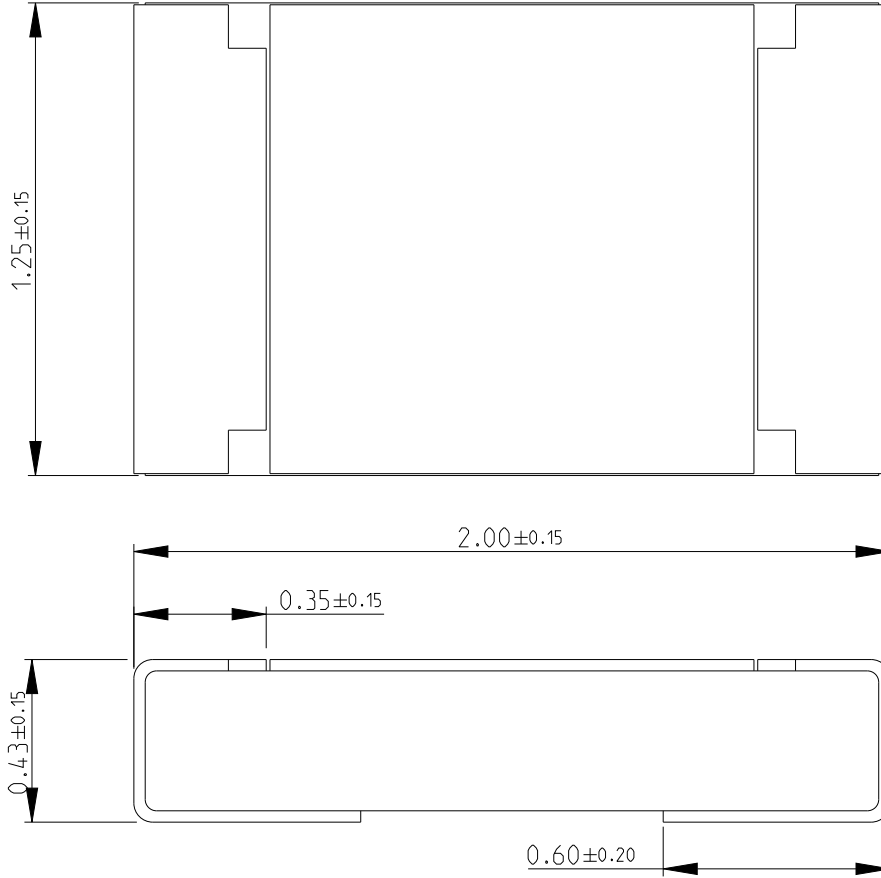


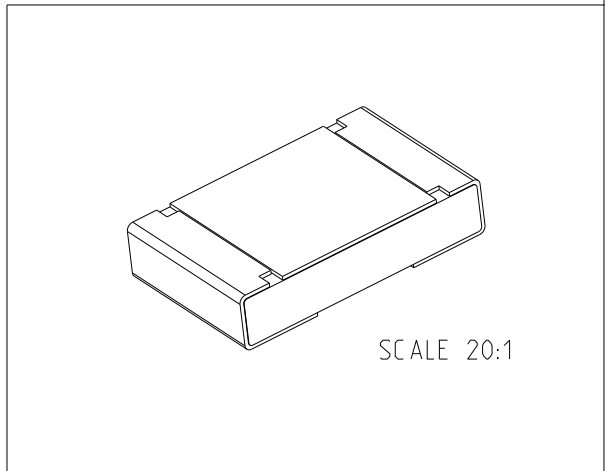
REVISIONS					
P	LTR	DESCRIPTION	DATE	DWN	APVD
	BA	NEW DRAWING	16NOV2021	KS	AP



NOTES:

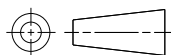
- FOR FURTHER INFORMATION SEE DATA SHEET FOR RA73 SERIES ALUMINUM NITRIDE THIN FILM PRECISION RESISTORS.

RoHS Compliant



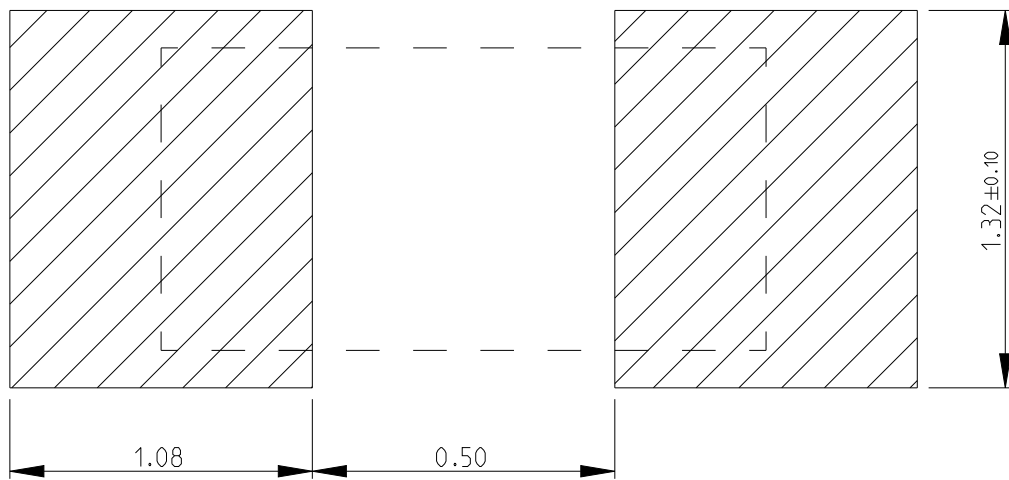
© 2021 TE Connectivity. All Rights Reserved.

DIMENSIONS: mm	DWN KARTHIK S	16NOV2021	MATERIAL	-	FINISH	-
	CHK ALLAN.P	16NOV2021				
TOLERANCES UNLESS OTHERWISE SPECIFIED:	APVD ALLAN.P	16NOV2021				
	0 PLC ±0.5	PRODUCT SPEC		NAME ALUMINUM NITRIDE THIN FILM PRECISION RESISTORS-TYPE RA73 0805 SERIES		
1 PLC ±0.2	-		SIZE	CAGE CODE	DRAWING NO	RESTRICTED TO
2 PLC ±0.1	APPLICATION SPEC		A 4	00779	C=2176476	-
3 PLC ±	-		CUSTOMER DRAWING			
4 PLC ±	WEIGHT		SCALE		SHEET	REV
ANGLES ±5°	-		50:1	1 OF 2	BA	



REVISIONS					
P	LTR	DESCRIPTION	DATE	DWN	APVD
-	-	SEE SHEET 1	-	-	-


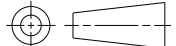
RECOMMENDED LAND PATTERN



NOTES:

1. PCB WITH A COPPER THICKNESS OF TWO OUNCES SHOULD BE USED.

© 2021 TE Connectivity. All Rights Reserved.

DIMENSIONS: mm	DWN KARTHIK S	16NOV2021	MATERIAL	-	FINISH	-
	CHK ALLAN.P	16NOV2021	 TE Connectivity			
TOLERANCES UNLESS OTHERWISE SPECIFIED: 0 PLC ±0.5 1 PLC ±0.2 2 PLC ±0.1 3 PLC ± 4 PLC ± ANGLES ±5°	APVD ALLAN.P	16NOV2021				
	PRODUCT SPEC	-	NAME	ALUMINUM NITRIDE THIN FILM PRECISION RESISTORS-TYPE RA73 0805 SERIES		
	APPLICATION SPEC	-	SIZE	CAGE CODE	DRAWING NO	RESTRICTED TO
	WEIGHT	-	A 4	00779	C=2176476	-
	CUSTOMER DRAWING			SCALE	NTS	SHEET
					REV	BA