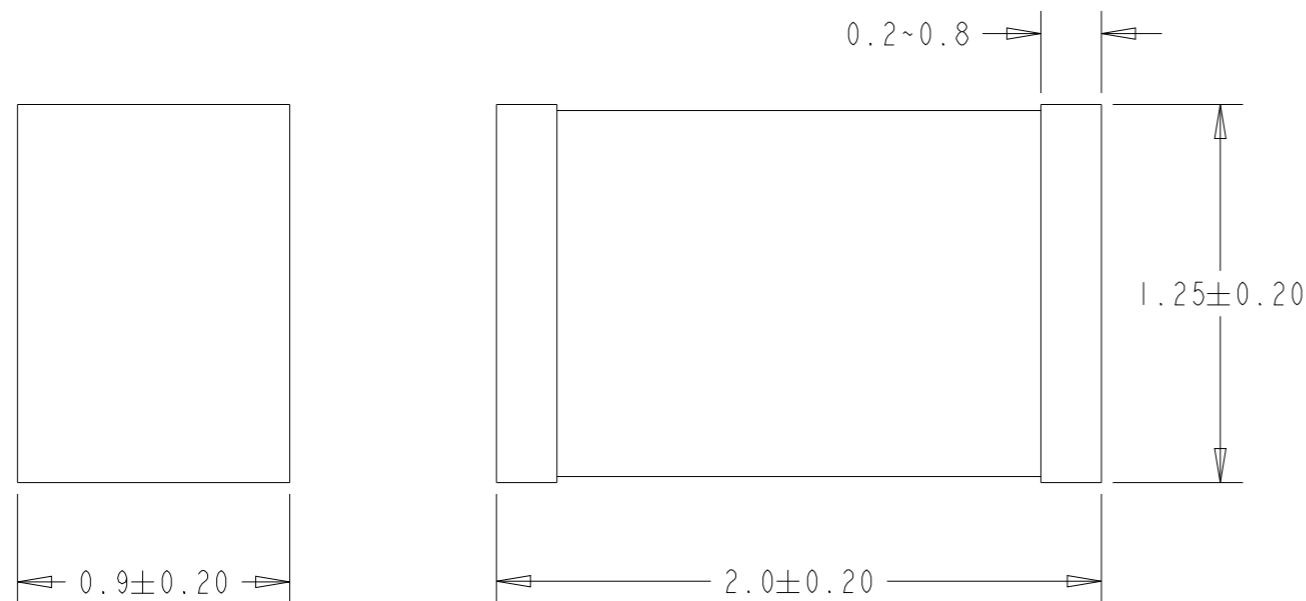
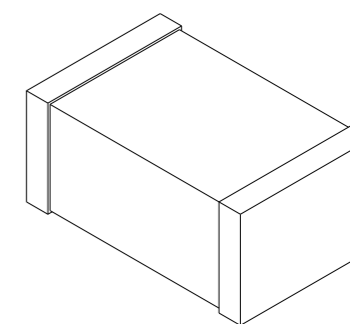


P	LTR	DESCRIPTION	DATE	DWN	APVD
	A	INITIAL RELEASE	03MAR2022	DM	AP
	A1	SCHEDULE UPDATED	13APR2022	DM	AP

FOR FURTHER INFORMATION SEE DATA SHEET OF BMC SERIES



Complete TIN	Product Number	Material Description
2176486-1	BMC2AY1000AN	BMC 0805 1K0 25% A Gen C
2176486-2	BMC2AY0120AN	BMC 0805 120R 25% A Gen C
2176486-3	BMC2AY0220AN	BMC 0805 220R 25% A Gen C
2176486-4	BMC2AY0300AN	BMC 0805 300R 25% A Gen C
2176486-5	BMC2AY0600AN	BMC 0805 600R 25% A Gen C
2176486-6	BMC2AY0017AN	BMC 0805 17R 25% A Gen C
2176486-7	BMC2AY0026AN	BMC 0805 26R 25% A Gen C
2176486-8	BMC2AY0030AN	BMC 0805 30R 25% A Gen C
2176486-9	BMC2AY0031AN	BMC 0805 31R 25% A Gen C
1-2176486-0	BMC2AY0052AN	BMC 0805 52R 25% A Gen C
1-2176486-1	BMC2AY0060AN	BMC 0805 60R 25% A Gen C
1-2176486-2	BMC2AY0080AN	BMC 0805 80R 25% A Gen C
1-2176486-3	BMC2AY0100AN	BMC 0805 100R 25% A Gen C
1-2176486-4	BMC2AY0150AN	BMC 0805 150R 25% A Gen C
1-2176486-5	BMC2AY0400AN	BMC 0805 400R 25% A Gen C
1-2176486-6	BMC2AY0470AN	BMC 0805 470R 25% A Gen C
1-2176486-7	BMC2AY0530AN	BMC 0805 530R 25% A Gen C
1-2176486-8	BMC2AY1500AN	BMC 0805 1K5 25% A Gen C



SCALE 20:1

THIS DRAWING IS A CONTROLLED DOCUMENT.		DWN DHEERAJ M 03MAR2022														
DIMENSIONS: mm		CHK ALLAN P 03MAR2022														
TOLERANCES UNLESS OTHERWISE SPECIFIED:		APVD ALLAN P 03MAR2022	NAME Multilayer Ferrite Beads Type BMC0805 AN configuration													
<table border="1"> <tr><td>0 PLC</td><td>±-</td></tr> <tr><td>1 PLC</td><td>±0.5</td></tr> <tr><td>2 PLC</td><td>±0.13</td></tr> <tr><td>3 PLC</td><td>±0.013</td></tr> <tr><td>4 PLC</td><td>±0.0001</td></tr> <tr><td>ANGLES</td><td>±-</td></tr> </table>		0 PLC	±-	1 PLC	±0.5	2 PLC	±0.13	3 PLC	±0.013	4 PLC	±0.0001	ANGLES	±-	PRODUCT SPEC -	RESTRICTED TO -	
0 PLC	±-															
1 PLC	±0.5															
2 PLC	±0.13															
3 PLC	±0.013															
4 PLC	±0.0001															
ANGLES	±-															
MATERIAL -		FINISH -	APPLICATION SPEC -	SIZE A3												
		WEIGHT -	CAGE CODE 00779	DRAWING NO C-2176486												
CUSTOMER DRAWING			SCALE 40:1	SHEET 1 OF 1												
			REV A1													