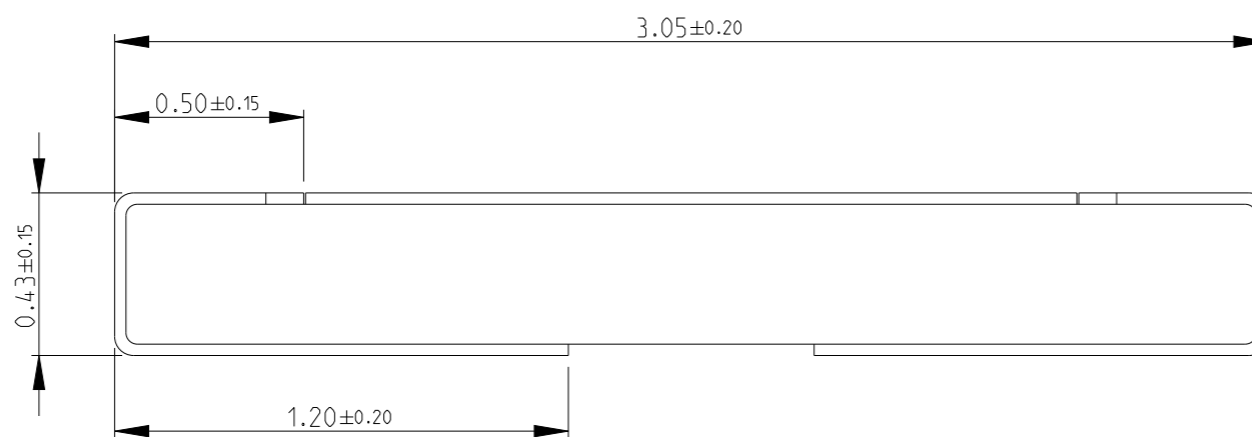


REVISIONS

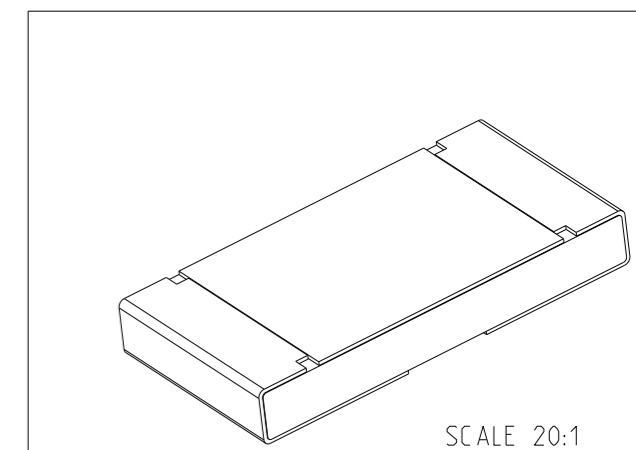
P	LTR	DESCRIPTION	DATE	DWN	APVD
	A	NEW DRAWING	01JUL2022	KS	AP

NOTES:

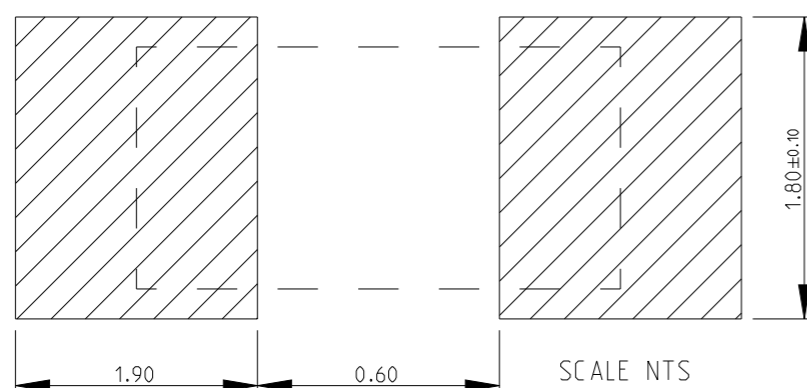
1. PCB WITH A COPPER THICKNESS OF TWO OUNCES SHOULD BE USED.
2. FOR FURTHER INFORMATION SEE DATA SHEET FOR 3503 SERIES ALUMINUM NITRIDE THIN FILM POWER RESISTORS.



RoHS Compliant



RECOMMENDED LAND PATTERN



THIS DRAWING IS A CONTROLLED DOCUMENT.		DWN KARTHIK. S 01JUL2022												
DIMENSIONS: mm		CHK ALLAN. P 01JUL2022												
TOLERANCES UNLESS OTHERWISE SPECIFIED:		APVD ALLAN. P 01JUL2022												
<table border="0"> <tr><td>0 PLC</td><td>±0.5</td></tr> <tr><td>1 PLC</td><td>±0.2</td></tr> <tr><td>2 PLC</td><td>±0.1</td></tr> <tr><td>3 PLC</td><td>±</td></tr> <tr><td>4 PLC</td><td>±</td></tr> <tr><td>ANGLES</td><td>±5°</td></tr> </table>		0 PLC				±0.5	1 PLC	±0.2	2 PLC	±0.1	3 PLC	±	4 PLC	±
0 PLC	±0.5													
1 PLC	±0.2													
2 PLC	±0.1													
3 PLC	±													
4 PLC	±													
ANGLES	±5°													
MATERIAL		FINISH	NAME ALUMINIUM NITRIDE THIN FILM POWER RESISTOR TYPE 3503 SERIES											
-		-	APPLICATION SPEC	SIZE A3	CAGE CODE 00779									
-		-	WEIGHT	DRAWING NO C=2176526	RESTRICTED TO									
-		-	CUSTOMER DRAWING	SCALE 50:1	SHEET 1 OF 3									
					REV A									

REVISIONS


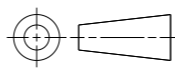
P	LTR	DESCRIPTION	DATE	DWN	APVD
	-	SEE SHEET 1	-	-	-

SCHEDULE

TCPN	CATALOGUE NUMBER	PART DESCRIPTION	PART STATUS
2176526-1	3503G2B51R1FTD	3503G 2B 51R1 1% 5K RL	PRODUCTION
2176526-2	3503G2B52R3FTD	3503G 2B 52R3 1% 5K RL	PRODUCTION
2176526-3	3503G2B53R6FTD	3503G 2B 53R6 1% 5K RL	PRODUCTION
2176526-4	3503G2B54R9FTD	3503G 2B 54R9 1% 5K RL	PRODUCTION
2176526-5	3503G2B56R2FTD	3503G 2B 56R2 1% 5K RL	PRODUCTION
2176526-6	3503G2B57R6FTD	3503G 2B 57R6 1% 5K RL	PRODUCTION
2176526-7	3503G2B59RFTD	3503G 2B 59R 1% 5K RL	PRODUCTION
2176526-8	3503G2B60R4FTD	3503G 2B 60R4 1% 5K RL	PRODUCTION
2176526-9	3503G2B61R9FTD	3503G 2B 61R9 1% 5K RL	PRODUCTION
1-2176526-0	3503G2B63R4FTD	3503G 2B 63R4 1% 5K RL	PRODUCTION
1-2176526-1	3503G2B64R9FTD	3503G 2B 64R9 1% 5K RL	PRODUCTION
1-2176526-2	3503G2B66R5FTD	3503G 2B 66R5 1% 5K RL	PRODUCTION
1-2176526-3	3503G2B68R1FTD	3503G 2B 68R1 1% 5K RL	PRODUCTION
1-2176526-4	3503G2B69R8FTD	3503G 2B 69R8 1% 5K RL	PRODUCTION
1-2176526-5	3503G2B71R5FTD	3503G 2B 71R5 1% 5K RL	PRODUCTION
1-2176526-6	3503G2B73R2FTD	3503G 2B 73R2 1% 5K RL	PRODUCTION
1-2176526-7	3503G2B75RFTD	3503G 2B 75R 1% 5K RL	PRODUCTION
1-2176526-8	3503G2B76R8FTD	3503G 2B 76R8 1% 5K RL	PRODUCTION
1-2176526-9	3503G2B78R7FTD	3503G 2B 78R7 1% 5K RL	PRODUCTION
2-2176526-0	3503G2B80R6FTD	3503G 2B 80R6 1% 5K RL	PRODUCTION
2-2176526-1	3503G2B82R5FTD	3503G 2B 82R5 1% 5K RL	PRODUCTION
2-2176526-2	3503G2B84R5FTD	3503G 2B 84R5 1% 5K RL	PRODUCTION
2-2176526-3	3503G2B86R6FTD	3503G 2B 86R6 1% 5K RL	PRODUCTION
2-2176526-4	3503G2B88R7FTD	3503G 2B 88R7 1% 5K RL	PRODUCTION
2-2176526-5	3503G2B90R9FTD	3503G 2B 90R9 1% 5K RL	PRODUCTION
2-2176526-6	3503G2B93R1FTD	3503G 2B 93R1 1% 5K RL	PRODUCTION
2-2176526-7	3503G2B95R3FTD	3503G 2B 95R3 1% 5K RL	PRODUCTION
2-2176526-8	3503G2B97R6FTD	3503G 2B 97R6 1% 5K RL	PRODUCTION
2-2176526-9	3503G2B100RFTD	3503G 2B 100R 1% 5K RL	PRODUCTION
3-2176526-0	3503G2B102RFTD	3503G 2B 102R 1% 5K RL	PRODUCTION

SCHEDULE

TCPN	CATALOGUE NUMBER	PART DESCRIPTION	PART STATUS
3-2176526-1	3503G2B105RFTD	3503G 2B 105R 1% 5K RL	PRODUCTION
3-2176526-2	3503G2B107RFTD	3503G 2B 107R 1% 5K RL	PRODUCTION
3-2176526-3	3503G2B110RFTD	3503G 2B 110R 1% 5K RL	PRODUCTION
3-2176526-4	3503G2B113RFTD	3503G 2B 113R 1% 5K RL	PRODUCTION
3-2176526-5	3503G2B115RFTD	3503G 2B 115R 1% 5K RL	PRODUCTION
3-2176526-6	3503G2B118RFTD	3503G 2B 118R 1% 5K RL	PRODUCTION
3-2176526-7	3503G2B121RFTD	3503G 2B 121R 1% 5K RL	PRODUCTION
3-2176526-8	3503G2B124RFTD	3503G 2B 124R 1% 5K RL	PRODUCTION
3-2176526-9	3503G2B127RFTD	3503G 2B 127R 1% 5K RL	PRODUCTION
4-2176526-0	3503G2B130RFTD	3503G 2B 130R 1% 5K RL	PRODUCTION
4-2176526-1	3503G2B133RFTD	3503G 2B 133R 1% 5K RL	PRODUCTION
4-2176526-2	3503G2B137RFTD	3503G 2B 137R 1% 5K RL	PRODUCTION
4-2176526-3	3503G2B140RFTD	3503G 2B 140R 1% 5K RL	PRODUCTION
4-2176526-4	3503G2B143RFTD	3503G 2B 143R 1% 5K RL	PRODUCTION
4-2176526-5	3503G2B147RFTD	3503G 2B 147R 1% 5K RL	PRODUCTION
4-2176526-6	3503G2B150RFTD	3503G 2B 150R 1% 5K RL	PRODUCTION
4-2176526-7	3503G2B154RFTD	3503G 2B 154R 1% 5K RL	PRODUCTION
4-2176526-8	3503G2B158RFTD	3503G 2B 158R 1% 5K RL	PRODUCTION
4-2176526-9	3503G2B162RFTD	3503G 2B 162R 1% 5K RL	PRODUCTION
5-2176526-0	3503G2B165RFTD	3503G 2B 165R 1% 5K RL	PRODUCTION
5-2176526-1	3503G2B169RFTD	3503G 2B 169R 1% 5K RL	PRODUCTION
5-2176526-2	3503G2B174RFTD	3503G 2B 174R 1% 5K RL	PRODUCTION
5-2176526-3	3503G2B178RFTD	3503G 2B 178R 1% 5K RL	PRODUCTION
5-2176526-4	3503G2B182RFTD	3503G 2B 182R 1% 5K RL	PRODUCTION
5-2176526-5	3503G2B187RFTD	3503G 2B 187R 1% 5K RL	PRODUCTION
5-2176526-6	3503G2B191RFTD	3503G 2B 191R 1% 5K RL	PRODUCTION
5-2176526-7	3503G2B196RFTD	3503G 2B 196R 1% 5K RL	PRODUCTION
5-2176526-8	3503G2B200RFTD	3503G 2B 200R 1% 5K RL	PRODUCTION
5-2176526-9	3503G2B205RFTD	3503G 2B 205R 1% 5K RL	PRODUCTION
6-2176526-0	3503G2B210RFTD	3503G 2B 210R 1% 5K RL	PRODUCTION

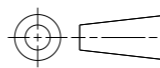
THIS DRAWING IS A CONTROLLED DOCUMENT.		DWN KARTHIK. S 01JUL2022	 TE Connectivity NAME ALUMINIUM NITRIDE THIN FILM POWER RESISTOR TYPE 3503 SERIES	
DIMENSIONS: mm		CHK ALLAN. P 01JUL2022		
		APVD ALLAN. P 01JUL2022		
TOLERANCES UNLESS OTHERWISE SPECIFIED:		PRODUCT SPEC	SIZE	
0 PLC ±0.5		-	CAGE CODE	
1 PLC ±0.2		APPLICATION SPEC	DRAWING NO	
2 PLC ±0.1		-	RESTRICTED TO	
3 PLC ±		WEIGHT	-	
4 PLC ±		CUSTOMER DRAWING	A3 00779 ©-2176526	
ANGLES ±°		SCALE	50:1	
FINISH		SHEET	2 OF 3	
-		REV	A	
-				

REVISIONS

P	LTR	DESCRIPTION	DATE	DWN	APVD
-	-	SEE SHEET 1	-	-	-

SCHEDULE			
TCPN	CATALOGUE NUMBER	PART DESCRIPTION	PART STATUS
6-2176526-1	3503G2B215RFTD	3503G 2B 215R 1% 5K RL	PRODUCTION
6-2176526-2	3503G2B221RFTD	3503G 2B 221R 1% 5K RL	PRODUCTION
6-2176526-3	3503G2B226RFTD	3503G 2B 226R 1% 5K RL	PRODUCTION
6-2176526-4	3503G2B232RFTD	3503G 2B 232R 1% 5K RL	PRODUCTION
6-2176526-5	3503G2B237RFTD	3503G 2B 237R 1% 5K RL	PRODUCTION
6-2176526-6	3503G2B243RFTD	3503G 2B 243R 1% 5K RL	PRODUCTION
6-2176526-7	3503G2B249RFTD	3503G 2B 249R 1% 5K RL	PRODUCTION
6-2176526-8	3503G2B255RFTD	3503G 2B 255R 1% 5K RL	PRODUCTION
6-2176526-9	3503G2B261RFTD	3503G 2B 261R 1% 5K RL	PRODUCTION
7-2176526-0	3503G2B267RFTD	3503G 2B 267R 1% 5K RL	PRODUCTION
7-2176526-1	3503G2B274RFTD	3503G 2B 274R 1% 5K RL	PRODUCTION
7-2176526-2	3503G2B280RFTD	3503G 2B 280R 1% 5K RL	PRODUCTION
7-2176526-3	3503G2B287RFTD	3503G 2B 287R 1% 5K RL	PRODUCTION
7-2176526-4	3503G2B294RFTD	3503G 2B 294R 1% 5K RL	PRODUCTION
7-2176526-5	3503G2B301RFTD	3503G 2B 301R 1% 5K RL	PRODUCTION
7-2176526-6	3503G2B309RFTD	3503G 2B 309R 1% 5K RL	PRODUCTION
7-2176526-7	3503G2B316RFTD	3503G 2B 316R 1% 5K RL	PRODUCTION
7-2176526-8	3503G2B324RFTD	3503G 2B 324R 1% 5K RL	PRODUCTION
7-2176526-9	3503G2B332RFTD	3503G 2B 332R 1% 5K RL	PRODUCTION
8-2176526-0	3503G2B340RFTD	3503G 2B 340R 1% 5K RL	PRODUCTION
8-2176526-1	3503G2B348RFTD	3503G 2B 348R 1% 5K RL	PRODUCTION
8-2176526-2	3503G2B357RFTD	3503G 2B 357R 1% 5K RL	PRODUCTION
8-2176526-3	3503G2B365RFTD	3503G 2B 365R 1% 5K RL	PRODUCTION
8-2176526-4	3503G2B374RFTD	3503G 2B 374R 1% 5K RL	PRODUCTION
8-2176526-5	3503G2B383RFTD	3503G 2B 383R 1% 5K RL	PRODUCTION
8-2176526-6	3503G2B392RFTD	3503G 2B 392R 1% 5K RL	PRODUCTION
8-2176526-7	3503G2B402RFTD	3503G 2B 402R 1% 5K RL	PRODUCTION
8-2176526-8	3503G2B412RFTD	3503G 2B 412R 1% 5K RL	PRODUCTION
8-2176526-9	3503G2B422RFTD	3503G 2B 422R 1% 5K RL	PRODUCTION
9-2176526-0	3503G2B432RFTD	3503G 2B 432R 1% 5K RL	PRODUCTION
9-2176526-1	3503G2B442RFTD	3503G 2B 442R 1% 5K RL	PRODUCTION
9-2176526-2	3503G2B453RFTD	3503G 2B 453R 1% 5K RL	PRODUCTION
9-2176526-3	3503G2B464RFTD	3503G 2B 464R 1% 5K RL	PRODUCTION
9-2176526-4	3503G2B475RFTD	3503G 2B 475R 1% 5K RL	PRODUCTION
9-2176526-5	3503G2B487RFTD	3503G 2B 487R 1% 5K RL	PRODUCTION
9-2176526-6	3503G2B499RFTD	3503G 2B 499R 1% 5K RL	PRODUCTION
9-2176526-7	3503G2B511RFTD	3503G 2B 511R 1% 5K RL	PRODUCTION
9-2176526-8	3503G2B523RFTD	3503G 2B 523R 1% 5K RL	PRODUCTION
9-2176526-9	3503G2B536RFTD	3503G 2B 536R 1% 5K RL	PRODUCTION

THIS DRAWING IS A CONTROLLED DOCUMENT.

DIMENSIONS:	TOLERANCES UNLESS OTHERWISE SPECIFIED:
mm	0 PLC ±0.5
	1 PLC ±0.2
	2 PLC ±0.1
	3 PLC ±
	4 PLC ±
	ANGLES ±°
MATERIAL	FINISH
-	-
-	-

DWN	KARTHIK. S	01JUL2022
CHK	ALLAN. P	01JUL2022
APVD	ALLAN. P	01JUL2022
PRODUCT SPEC	-	-
APPLICATION SPEC	-	-
WEIGHT	-	-
CUSTOMER DRAWING		



TE Connectivity

NAME
ALUMINIUM NITRIDE THIN FILM POWER RESISTOR TYPE 3503 SERIES

SIZE	CAGE CODE	DRAWING NO	RESTRICTED TO
A3	00779	©=2176526	-

SCALE 50:1 SHEET 3 OF 3 REV A