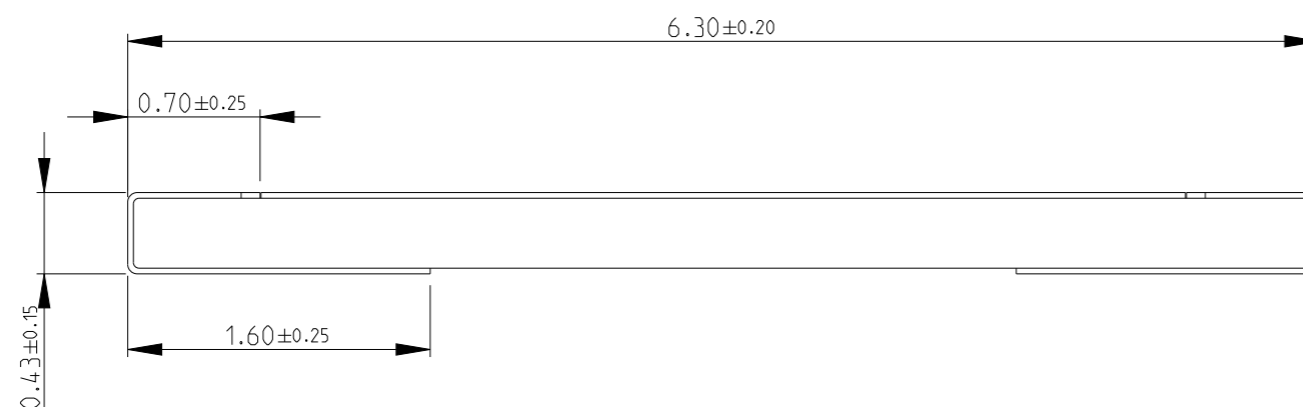


REVISIONS

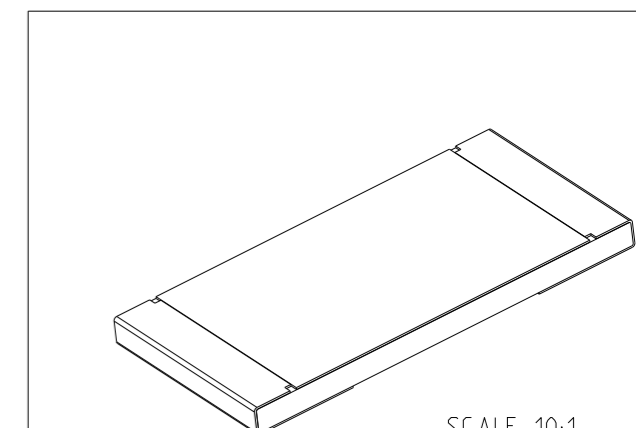
P	LTR	DESCRIPTION	DATE	DWN	APVD
	A	NEW DRAWING	05JUL2022	LG	AP

NOTES:

1. PCB WITH A COPPER THICKNESS OF TWO OUNCES SHOULD BE USED.
2. FOR FURTHER INFORMATION SEE DATA SHEET FOR 3504 SERIES ALUMINUM NITRIDE THIN FILM POWER RESISTORS.

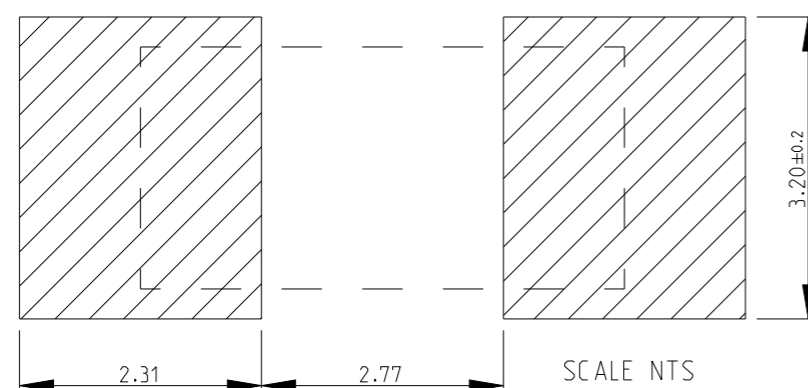


RoHS Compliant



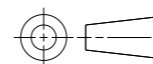
SCALE 10:1

RECOMMENDED LAND PATTERN



THIS DRAWING IS A CONTROLLED DOCUMENT.

DIMENSIONS:
mm



TOLERANCES UNLESS OTHERWISE SPECIFIED:

0 PLC	±0.5
1 PLC	±0.2
2 PLC	±0.1
3 PLC	±
4 PLC	±
ANGLES	±5°

MATERIAL

FINISH

DWN 05JUL2022

LALITH G

CHK 05JUL2022

ALLAN. P

APVD 05JUL2022

ALLAN. P

PRODUCT SPEC

APPLICATION SPEC

WEIGHT

CUSTOMER DRAWING

NAME
ALUMINIUM NITRIDE THIN FILM POWER RESISTOR TYPE 3504 SERIES



TE Connectivity

SIZE CAGE CODE DRAWING NO RESTRICTED TO

A3 00779 C=2176529

SCALE 25:1 SHEET 1 OF 3 REV A

REVISIONS

P	LTR	DESCRIPTION	DATE	DWN	APVD
	-	SEE SHEET 1	-	-	-

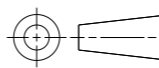
SCHEDULE

TCPN	CATALOGUE NUMBER	PART DESCRIPTION	PART STATUS
2176529-1	3504G3A51R1FTDF	3504G 3A 51R1 1% 1K RL	PRODUCTION
2176529-2	3504G3A52R3FTDF	3504G 3A 52R3 1% 1K RL	PRODUCTION
2176529-3	3504G3A53R6FTDF	3504G 3A 53R6 1% 1K RL	PRODUCTION
2176529-4	3504G3A54R9FTDF	3504G 3A 54R9 1% 1K RL	PRODUCTION
2176529-5	3504G3A56R2FTDF	3504G 3A 56R2 1% 1K RL	PRODUCTION
2176529-6	3504G3A57R6FTDF	3504G 3A 57R6 1% 1K RL	PRODUCTION
2176529-7	3504G3A59RFTDF	3504G 3A 59R 1% 1K RL	PRODUCTION
2176529-8	3504G3A60R4FTDF	3504G 3A 60R4 1% 1K RL	PRODUCTION
2176529-9	3504G3A61R9FTDF	3504G 3A 61R9 1% 1K RL	PRODUCTION
1-2176529-0	3504G3A63R4FTDF	3504G 3A 63R4 1% 1K RL	PRODUCTION
1-2176529-1	3504G3A64R9FTDF	3504G 3A 64R9 1% 1K RL	PRODUCTION
1-2176529-2	3504G3A66R5FTDF	3504G 3A 66R5 1% 1K RL	PRODUCTION
1-2176529-3	3504G3A68R1FTDF	3504G 3A 68R1 1% 1K RL	PRODUCTION
1-2176529-4	3504G3A69R8FTDF	3504G 3A 69R8 1% 1K RL	PRODUCTION
1-2176529-5	3504G3A71R5FTDF	3504G 3A 71R5 1% 1K RL	PRODUCTION
1-2176529-6	3504G3A73R2FTDF	3504G 3A 73R2 1% 1K RL	PRODUCTION
1-2176529-7	3504G3A75RFTDF	3504G 3A 75R 1% 1K RL	PRODUCTION
1-2176529-8	3504G3A76R8FTDF	3504G 3A 76R8 1% 1K RL	PRODUCTION
1-2176529-9	3504G3A78R7FTDF	3504G 3A 78R7 1% 1K RL	PRODUCTION
2-2176529-0	3504G3A80R6FTDF	3504G 3A 80R6 1% 1K RL	PRODUCTION
2-2176529-1	3504G3A82R5FTDF	3504G 3A 82R5 1% 1K RL	PRODUCTION
2-2176529-2	3504G3A84R5FTDF	3504G 3A 84R5 1% 1K RL	PRODUCTION
2-2176529-3	3504G3A86R6FTDF	3504G 3A 86R6 1% 1K RL	PRODUCTION
2-2176529-4	3504G3A88R7FTDF	3504G 3A 88R7 1% 1K RL	PRODUCTION
2-2176529-5	3504G3A90R9FTDF	3504G 3A 90R9 1% 1K RL	PRODUCTION
2-2176529-6	3504G3A93R1FTDF	3504G 3A 93R1 1% 1K RL	PRODUCTION
2-2176529-7	3504G3A95R3FTDF	3504G 3A 95R3 1% 1K RL	PRODUCTION
2-2176529-8	3504G3A97R6FTDF	3504G 3A 97R6 1% 1K RL	PRODUCTION
2-2176529-9	3504G3A100RFTDF	3504G 3A 100R 1% 1K RL	PRODUCTION
3-2176529-0	3504G3A102RFTDF	3504G 3A 102R 1% 1K RL	PRODUCTION

SCHEDULE

TCPN	CATALOGUE NUMBER	PART DESCRIPTION	PART STATUS
3-2176529-1	3504G3A105RFTDF	3504G 3A 105R 1% 1K RL	PRODUCTION
3-2176529-2	3504G3A107RFTDF	3504G 3A 107R 1% 1K RL	PRODUCTION
3-2176529-3	3504G3A110RFTDF	3504G 3A 110R 1% 1K RL	PRODUCTION
3-2176529-4	3504G3A113RFTDF	3504G 3A 113R 1% 1K RL	PRODUCTION
3-2176529-5	3504G3A115RFTDF	3504G 3A 115R 1% 1K RL	PRODUCTION
3-2176529-6	3504G3A118RFTDF	3504G 3A 118R 1% 1K RL	PRODUCTION
3-2176529-7	3504G3A121RFTDF	3504G 3A 121R 1% 1K RL	PRODUCTION
3-2176529-8	3504G3A124RFTDF	3504G 3A 124R 1% 1K RL	PRODUCTION
3-2176529-9	3504G3A127RFTDF	3504G 3A 127R 1% 1K RL	PRODUCTION
4-2176529-0	3504G3A130RFTDF	3504G 3A 130R 1% 1K RL	PRODUCTION
4-2176529-1	3504G3A133RFTDF	3504G 3A 133R 1% 1K RL	PRODUCTION
4-2176529-2	3504G3A137RFTDF	3504G 3A 137R 1% 1K RL	PRODUCTION
4-2176529-3	3504G3A140RFTDF	3504G 3A 140R 1% 1K RL	PRODUCTION
4-2176529-4	3504G3A143RFTDF	3504G 3A 143R 1% 1K RL	PRODUCTION
4-2176529-5	3504G3A147RFTDF	3504G 3A 147R 1% 1K RL	PRODUCTION
4-2176529-6	3504G3A150RFTDF	3504G 3A 150R 1% 1K RL	PRODUCTION
4-2176529-7	3504G3A154RFTDF	3504G 3A 154R 1% 1K RL	PRODUCTION
4-2176529-8	3504G3A158RFTDF	3504G 3A 158R 1% 1K RL	PRODUCTION
4-2176529-9	3504G3A162RFTDF	3504G 3A 162R 1% 1K RL	PRODUCTION
5-2176529-0	3504G3A165RFTDF	3504G 3A 165R 1% 1K RL	PRODUCTION
5-2176529-1	3504G3A169RFTDF	3504G 3A 169R 1% 1K RL	PRODUCTION
5-2176529-2	3504G3A174RFTDF	3504G 3A 174R 1% 1K RL	PRODUCTION
5-2176529-3	3504G3A178RFTDF	3504G 3A 178R 1% 1K RL	PRODUCTION
5-2176529-4	3504G3A182RFTDF	3504G 3A 182R 1% 1K RL	PRODUCTION
5-2176529-5	3504G3A187RFTDF	3504G 3A 187R 1% 1K RL	PRODUCTION
5-2176529-6	3504G3A191RFTDF	3504G 3A 191R 1% 1K RL	PRODUCTION
5-2176529-7	3504G3A196RFTDF	3504G 3A 196R 1% 1K RL	PRODUCTION
5-2176529-8	3504G3A200RFTDF	3504G 3A 200R 1% 1K RL	PRODUCTION
5-2176529-9	3504G3A205RFTDF	3504G 3A 205R 1% 1K RL	PRODUCTION
6-2176529-0	3504G3A210RFTDF	3504G 3A 210R 1% 1K RL	PRODUCTION

THIS DRAWING IS A CONTROLLED DOCUMENT.

DIMENSIONS:	TOLERANCES UNLESS OTHERWISE SPECIFIED:
mm	
	0 PLC ±0.5
	1 PLC ±0.2
	2 PLC ±0.1
	3 PLC ±
	4 PLC ±
	ANGLES ±5°
MATERIAL	FINISH
-	-
-	-

DWN	LALITH G	05JUL2022
CHK	ALLAN. P	05JUL2022
APVD	ALLAN. P	05JUL2022
PRODUCT SPEC	-	-
APPLICATION SPEC	-	-
WEIGHT	-	-
CUSTOMER DRAWING		



TE Connectivity

ALUMINIUM NITRIDE THIN FILM POWER RESISTOR TYPE 3504 SERIES

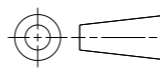
NAME	SIZE	CAGE CODE	DRAWING NO	RESTRICTED TO
	A3	00779	©-2176529	-
SCALE	SHEET	OF	REV	
25:1	2	3	A	

REVISIONS

P	LTR	DESCRIPTION	DATE	DWN	APVD
	-	SEE SHEET 1	-	-	-

SCHEDULE					
TCPN	CATALOGUE NUMBER	PART DESCRIPTION	PART STATUS		
6-2176529-1	3504G3A215RFTDF	3504G 3A 215R 1% 1K RL	PRODUCTION		
6-2176529-2	3504G3A221RFTDF	3504G 3A 221R 1% 1K RL	PRODUCTION		
6-2176529-3	3504G3A226RFTDF	3504G 3A 226R 1% 1K RL	PRODUCTION		
6-2176529-4	3504G3A232RFTDF	3504G 3A 232R 1% 1K RL	PRODUCTION		
6-2176529-5	3504G3A237RFTDF	3504G 3A 237R 1% 1K RL	PRODUCTION		
6-2176529-6	3504G3A243RFTDF	3504G 3A 243R 1% 1K RL	PRODUCTION		
6-2176529-7	3504G3A249RFTDF	3504G 3A 249R 1% 1K RL	PRODUCTION		
6-2176529-8	3504G3A255RFTDF	3504G 3A 255R 1% 1K RL	PRODUCTION		
6-2176529-9	3504G3A261RFTDF	3504G 3A 261R 1% 1K RL	PRODUCTION		
7-2176529-0	3504G3A267RFTDF	3504G 3A 267R 1% 1K RL	PRODUCTION		
7-2176529-1	3504G3A274RFTDF	3504G 3A 274R 1% 1K RL	PRODUCTION		
7-2176529-2	3504G3A280RFTDF	3504G 3A 280R 1% 1K RL	PRODUCTION		
7-2176529-3	3504G3A287RFTDF	3504G 3A 287R 1% 1K RL	PRODUCTION		
7-2176529-4	3504G3A294RFTDF	3504G 3A 294R 1% 1K RL	PRODUCTION		
7-2176529-5	3504G3A301RFTDF	3504G 3A 301R 1% 1K RL	PRODUCTION		
7-2176529-6	3504G3A309RFTDF	3504G 3A 309R 1% 1K RL	PRODUCTION		
7-2176529-7	3504G3A316RFTDF	3504G 3A 316R 1% 1K RL	PRODUCTION		
7-2176529-8	3504G3A324RFTDF	3504G 3A 324R 1% 1K RL	PRODUCTION		
7-2176529-9	3504G3A332RFTDF	3504G 3A 332R 1% 1K RL	PRODUCTION		
8-2176529-0	3504G3A340RFTDF	3504G 3A 340R 1% 1K RL	PRODUCTION		
8-2176529-1	3504G3A348RFTDF	3504G 3A 348R 1% 1K RL	PRODUCTION		
8-2176529-2	3504G3A357RFTDF	3504G 3A 357R 1% 1K RL	PRODUCTION		
8-2176529-3	3504G3A365RFTDF	3504G 3A 365R 1% 1K RL	PRODUCTION		
8-2176529-4	3504G3A374RFTDF	3504G 3A 374R 1% 1K RL	PRODUCTION		
8-2176529-5	3504G3A383RFTDF	3504G 3A 383R 1% 1K RL	PRODUCTION		
8-2176529-6	3504G3A392RFTDF	3504G 3A 392R 1% 1K RL	PRODUCTION		
8-2176529-7	3504G3A402RFTDF	3504G 3A 402R 1% 1K RL	PRODUCTION		
8-2176529-8	3504G3A412RFTDF	3504G 3A 412R 1% 1K RL	PRODUCTION		
8-2176529-9	3504G3A422RFTDF	3504G 3A 422R 1% 1K RL	PRODUCTION		
9-2176529-0	3504G3A432RFTDF	3504G 3A 432R 1% 1K RL	PRODUCTION		
9-2176529-1	3504G3A442RFTDF	3504G 3A 442R 1% 1K RL	PRODUCTION		
9-2176529-2	3504G3A453RFTDF	3504G 3A 453R 1% 1K RL	PRODUCTION		
9-2176529-3	3504G3A464RFTDF	3504G 3A 464R 1% 1K RL	PRODUCTION		
9-2176529-4	3504G3A475RFTDF	3504G 3A 475R 1% 1K RL	PRODUCTION		
9-2176529-5	3504G3A487RFTDF	3504G 3A 487R 1% 1K RL	PRODUCTION		
9-2176529-6	3504G3A499RFTDF	3504G 3A 499R 1% 1K RL	PRODUCTION		
9-2176529-7	3504G3A511RFTDF	3504G 3A 511R 1% 1K RL	PRODUCTION		
9-2176529-8	3504G3A523RFTDF	3504G 3A 523R 1% 1K RL	PRODUCTION		
9-2176529-9	3504G3A536RFTDF	3504G 3A 536R 1% 1K RL	PRODUCTION		

THIS DRAWING IS A CONTROLLED DOCUMENT.

DIMENSIONS: mm		TOLERANCES UNLESS OTHERWISE SPECIFIED:	
		0 PLC	±0.5
		1 PLC	±0.2
		2 PLC	±0.1
		3 PLC	±
		4 PLC	±
MATERIAL		FINISH	ANGLES ±5°
-		-	-

DWN	LALITH G	05JUL2022
CHK	ALLAN. P	05JUL2022
APVD	ALLAN. P	05JUL2022
PRODUCT SPEC	-	
APPLICATION SPEC	-	
WEIGHT	-	
CUSTOMER DRAWING		



TE Connectivity

NAME
ALUMINIUM NITRIDE THIN FILM POWER RESISTOR TYPE 3504 SERIES

SIZE	CAGE CODE	DRAWING NO	RESTRICTED TO
A3	00779	©=2176529	-

SCALE 25:1 SHEET 3 OF 3 REV A