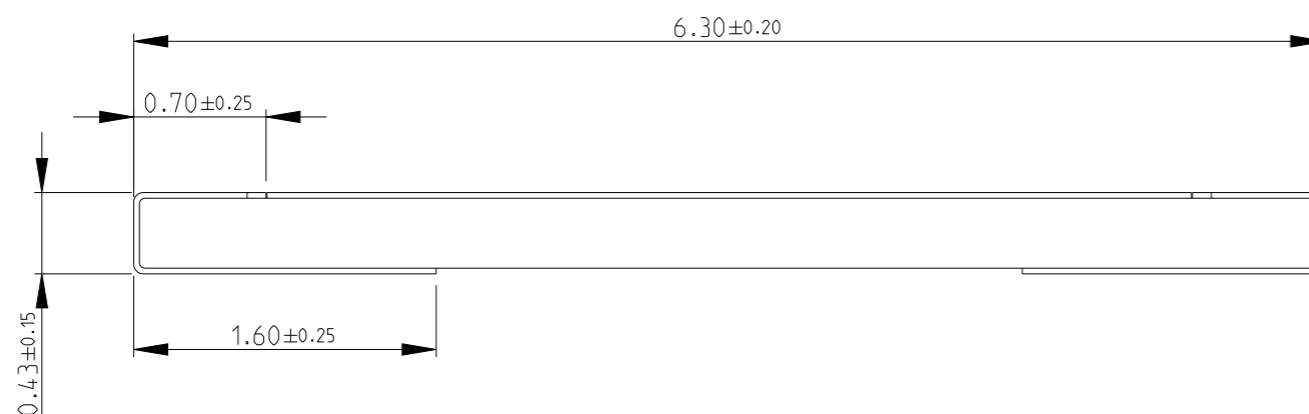
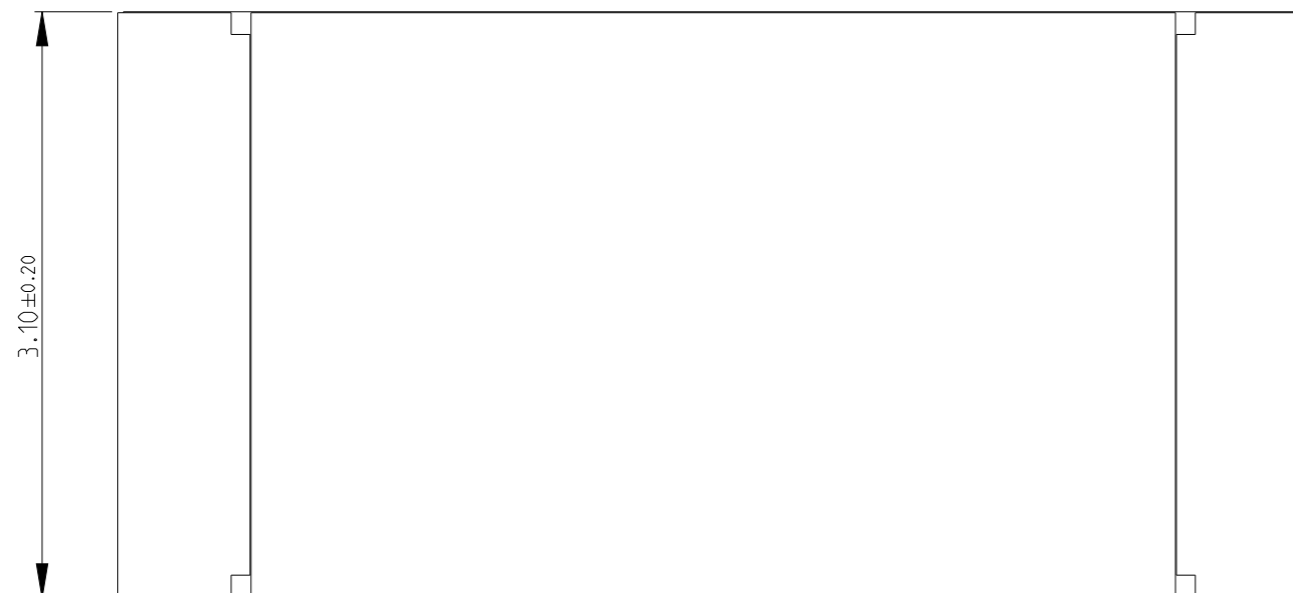


REVISIONS

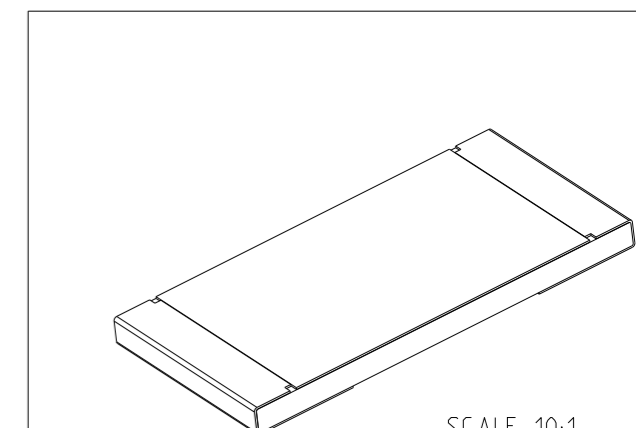
P	LTR	DESCRIPTION	DATE	DWN	APVD
	A	NEW DRAWING	05JUL2022	LG	AP

NOTES:

1. PCB WITH A COPPER THICKNESS OF TWO OUNCES SHOULD BE USED.
2. FOR FURTHER INFORMATION SEE DATA SHEET FOR 3504 SERIES ALUMINUM NITRIDE THIN FILM POWER RESISTORS.

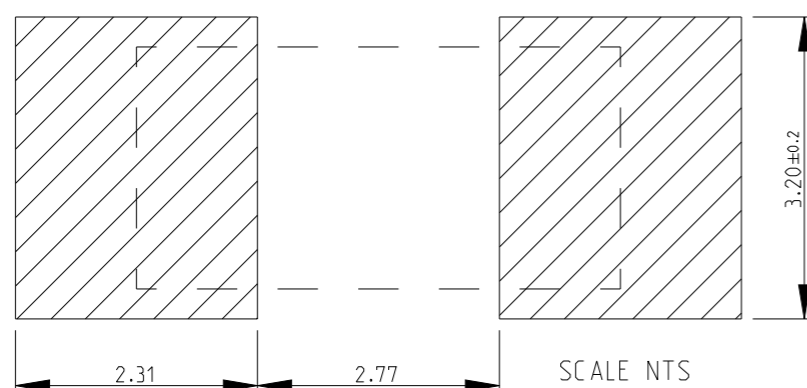


RoHS Compliant



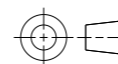
SCALE 10:1

RECOMMENDED LAND PATTERN



THIS DRAWING IS A CONTROLLED DOCUMENT.

DIMENSIONS:
mm



TOLERANCES UNLESS OTHERWISE SPECIFIED:

- 0 PLC ±0.5
- 1 PLC ±0.2
- 2 PLC ±0.1
- 3 PLC ±
- 4 PLC ±
- ANGLES ±5°

MATERIAL

FINISH

DWN 05JUL2022

LALITH G

CHK 05JUL2022

ALLAN. P

APVD 05JUL2022

ALLAN. P

PRODUCT SPEC

APPLICATION SPEC

WEIGHT

CUSTOMER DRAWING

NAME
ALUMINIUM NITRIDE THIN FILM POWER RESISTOR TYPE 3504 SERIES



TE Connectivity

SIZE CAGE CODE DRAWING NO RESTRICTED TO

A3 00779 C=2176531

SCALE 25:1 SHEET 1 OF 3 REV A

REVISIONS

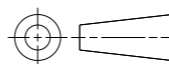
P	LTR	DESCRIPTION	DATE	DWN	APVD
	-	SEE SHEET 1	-	-	-

SCHEDULE

TCPN	CATALOGUE NUMBER	PART DESCRIPTION	PART STATUS
2176531-1	3504G3A5K9FTDF	3504G 3A 5K9 1% 1K RL	PRODUCTION
2176531-2	3504G3A6K04FTDF	3504G 3A 6K04 1% 1K RL	PRODUCTION
2176531-3	3504G3A6K19FTDF	3504G 3A 6K19 1% 1K RL	PRODUCTION
2176531-4	3504G3A6K34FTDF	3504G 3A 6K34 1% 1K RL	PRODUCTION
2176531-5	3504G3A6K49FTDF	3504G 3A 6K49 1% 1K RL	PRODUCTION
2176531-6	3504G3A6K65FTDF	3504G 3A 6K65 1% 1K RL	PRODUCTION
2176531-7	3504G3A6K81FTDF	3504G 3A 6K81 1% 1K RL	PRODUCTION
2176531-8	3504G3A6K98FTDF	3504G 3A 6K98 1% 1K RL	PRODUCTION
2176531-9	3504G3A7K15FTDF	3504G 3A 7K15 1% 1K RL	PRODUCTION
1-2176531-0	3504G3A7K32FTDF	3504G 3A 7K32 1% 1K RL	PRODUCTION
1-2176531-1	3504G3A7K5FTDF	3504G 3A 7K5 1% 1K RL	PRODUCTION
1-2176531-2	3504G3A7K68FTDF	3504G 3A 7K68 1% 1K RL	PRODUCTION
1-2176531-3	3504G3A7K87FTDF	3504G 3A 7K87 1% 1K RL	PRODUCTION
1-2176531-4	3504G3A8K06FTDF	3504G 3A 8K06 1% 1K RL	PRODUCTION
1-2176531-5	3504G3A8K25FTDF	3504G 3A 8K25 1% 1K RL	PRODUCTION
1-2176531-6	3504G3A8K45FTDF	3504G 3A 8K45 1% 1K RL	PRODUCTION
1-2176531-7	3504G3A8K66FTDF	3504G 3A 8K66 1% 1K RL	PRODUCTION
1-2176531-8	3504G3A8K87FTDF	3504G 3A 8K87 1% 1K RL	PRODUCTION
1-2176531-9	3504G3A9K09FTDF	3504G 3A 9K09 1% 1K RL	PRODUCTION
2-2176531-0	3504G3A9K31FTDF	3504G 3A 9K31 1% 1K RL	PRODUCTION
2-2176531-1	3504G3A9K53FTDF	3504G 3A 9K53 1% 1K RL	PRODUCTION
2-2176531-2	3504G3A9K76FTDF	3504G 3A 9K76 1% 1K RL	PRODUCTION
2-2176531-3	3504G3A10KFTDF	3504G 3A 10K 1% 1K RL	PRODUCTION
2-2176531-4	3504G3A10K2FTDF	3504G 3A 10K2 1% 1K RL	PRODUCTION
2-2176531-5	3504G3A10K5FTDF	3504G 3A 10K5 1% 1K RL	PRODUCTION
2-2176531-6	3504G3A10K7FTDF	3504G 3A 10K7 1% 1K RL	PRODUCTION
2-2176531-7	3504G3A11KFTDF	3504G 3A 11K 1% 1K RL	PRODUCTION
2-2176531-8	3504G3A11K3FTDF	3504G 3A 11K3 1% 1K RL	PRODUCTION
2-2176531-9	3504G3A11K5FTDF	3504G 3A 11K5 1% 1K RL	PRODUCTION
3-2176531-0	3504G3A11K8FTDF	3504G 3A 11K8 1% 1K RL	PRODUCTION
3-2176531-1	3504G3A12K1FTDF	3504G 3A 12K1 1% 1K RL	PRODUCTION
3-2176531-2	3504G3A12K4FTDF	3504G 3A 12K4 1% 1K RL	PRODUCTION
3-2176531-3	3504G3A12K7FTDF	3504G 3A 12K7 1% 1K RL	PRODUCTION
3-2176531-4	3504G3A13KFTDF	3504G 3A 13K 1% 1K RL	PRODUCTION
3-2176531-5	3504G3A13K3FTDF	3504G 3A 13K3 1% 1K RL	PRODUCTION

THIS DRAWING IS A CONTROLLED DOCUMENT.

DIMENSIONS:
mm



TOLERANCES UNLESS OTHERWISE SPECIFIED:

- 0 PLC ±0.5
- 1 PLC ±0.2
- 2 PLC ±0.1
- 3 PLC ±
- 4 PLC ±
- ANGLES ±°

MATERIAL

FINISH

DWN LALITH G 05JUL2022

CHK ALLAN. P 05JUL2022

APVD ALLAN. P 05JUL2022

PRODUCT SPEC

APPLICATION SPEC

WEIGHT

CUSTOMER DRAWING



TE Connectivity

NAME ALUMINIUM NITRIDE THIN FILM POWER RESISTOR TYPE 3504 SERIES

SIZE CAGE CODE DRAWING NO RESTRICTED TO

A3 00779 ©=2176531

SCALE 25:1 SHEET 2 OF 3 REV A

REVISIONS

P	LTR	DESCRIPTION	DATE	DWN	APVD
	-	SEE SHEET 1	-	-	-

SCHEDULE

TCPN	CATALOGUE NUMBER	PART DESCRIPTION	PART STATUS
3-2176531-6	3504G3A13K7FTDF	3504G 3A 13K7 1% 1K RL	PRODUCTION
3-2176531-7	3504G3A14KFTDF	3504G 3A 14K 1% 1K RL	PRODUCTION
3-2176531-8	3504G3A14K3FTDF	3504G 3A 14K3 1% 1K RL	PRODUCTION
3-2176531-9	3504G3A14K7FTDF	3504G 3A 14K7 1% 1K RL	PRODUCTION
4-2176531-0	3504G3A15KFTDF	3504G 3A 15K 1% 1K RL	PRODUCTION
4-2176531-1	3504G3A15K4FTDF	3504G 3A 15K4 1% 1K RL	PRODUCTION
4-2176531-2	3504G3A15K8FTDF	3504G 3A 15K8 1% 1K RL	PRODUCTION
4-2176531-3	3504G3A16K2FTDF	3504G 3A 16K2 1% 1K RL	PRODUCTION
4-2176531-4	3504G3A16K5FTDF	3504G 3A 16K5 1% 1K RL	PRODUCTION
4-2176531-5	3504G3A16K9FTDF	3504G 3A 16K9 1% 1K RL	PRODUCTION
4-2176531-6	3504G3A17K4FTDF	3504G 3A 17K4 1% 1K RL	PRODUCTION
4-2176531-7	3504G3A17K8FTDF	3504G 3A 17K8 1% 1K RL	PRODUCTION
4-2176531-8	3504G3A18K2FTDF	3504G 3A 18K2 1% 1K RL	PRODUCTION
4-2176531-9	3504G3A18K7FTDF	3504G 3A 18K7 1% 1K RL	PRODUCTION
5-2176531-0	3504G3A19K1FTDF	3504G 3A 19K1 1% 1K RL	PRODUCTION
5-2176531-1	3504G3A19K6FTDF	3504G 3A 19K6 1% 1K RL	PRODUCTION
5-2176531-2	3504G3A20KFTDF	3504G 3A 20K 1% 1K RL	PRODUCTION
5-2176531-3	3504G3A20K5FTDF	3504G 3A 20K5 1% 1K RL	PRODUCTION
5-2176531-4	3504G3A21KFTDF	3504G 3A 21K 1% 1K RL	PRODUCTION
5-2176531-5	3504G3A21K5FTDF	3504G 3A 21K5 1% 1K RL	PRODUCTION
5-2176531-6	3504G3A22K1FTDF	3504G 3A 22K1 1% 1K RL	PRODUCTION
5-2176531-7	3504G3A22K6FTDF	3504G 3A 22K6 1% 1K RL	PRODUCTION
5-2176531-8	3504G3A23K2FTDF	3504G 3A 23K2 1% 1K RL	PRODUCTION
5-2176531-9	3504G3A23K7FTDF	3504G 3A 23K7 1% 1K RL	PRODUCTION
6-2176531-0	3504G3A24K3FTDF	3504G 3A 24K3 1% 1K RL	PRODUCTION
6-2176531-1	3504G3A24K9FTDF	3504G 3A 24K9 1% 1K RL	PRODUCTION
6-2176531-2	3504G3A25K5FTDF	3504G 3A 25K5 1% 1K RL	PRODUCTION
6-2176531-3	3504G3A26K1FTDF	3504G 3A 26K1 1% 1K RL	PRODUCTION
6-2176531-4	3504G3A26K7FTDF	3504G 3A 26K7 1% 1K RL	PRODUCTION
6-2176531-5	3504G3A27K4FTDF	3504G 3A 27K4 1% 1K RL	PRODUCTION
6-2176531-6	3504G3A28KFTDF	3504G 3A 28K 1% 1K RL	PRODUCTION
6-2176531-7	3504G3A28K7FTDF	3504G 3A 28K7 1% 1K RL	PRODUCTION
6-2176531-8	3504G3A29K4FTDF	3504G 3A 29K4 1% 1K RL	PRODUCTION
6-2176531-9	3504G3A30K1FTDF	3504G 3A 30K1 1% 1K RL	PRODUCTION

THIS DRAWING IS A CONTROLLED DOCUMENT.

DIMENSIONS:	
mm	
MATERIAL	
-	

TOLERANCES UNLESS OTHERWISE SPECIFIED:	
0 PLC	±0.5
1 PLC	±0.2
2 PLC	±0.1
3 PLC	±
4 PLC	±
ANGLES	±5°
FINISH	
-	

DWN	LALITH G	05JUL2022
CHK	ALLAN. P	05JUL2022
APVD	ALLAN. P	05JUL2022
PRODUCT SPEC		
-		
APPLICATION SPEC		
-		
WEIGHT		
-		
CUSTOMER DRAWING		

TE Connectivity

NAME
ALUMINIUM NITRIDE THIN FILM POWER RESISTOR TYPE 3504 SERIES

SIZE	CAGE CODE	DRAWING NO	RESTRICTED TO
A3	00779	©=2176531	-

SCALE 25:1 SHEET 3 OF 3 REV A