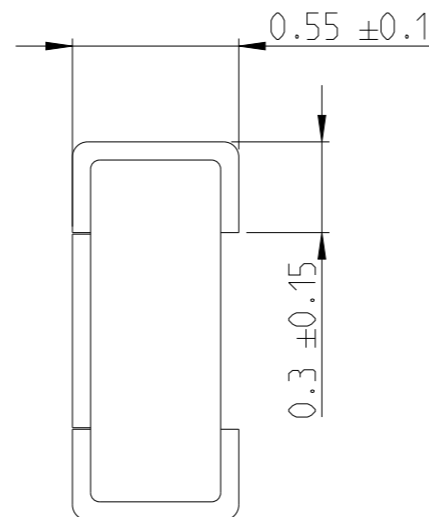
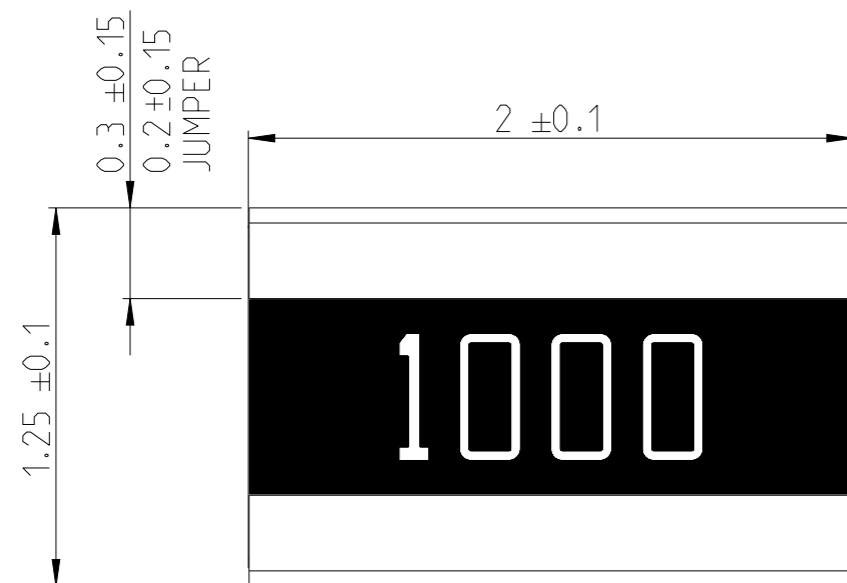
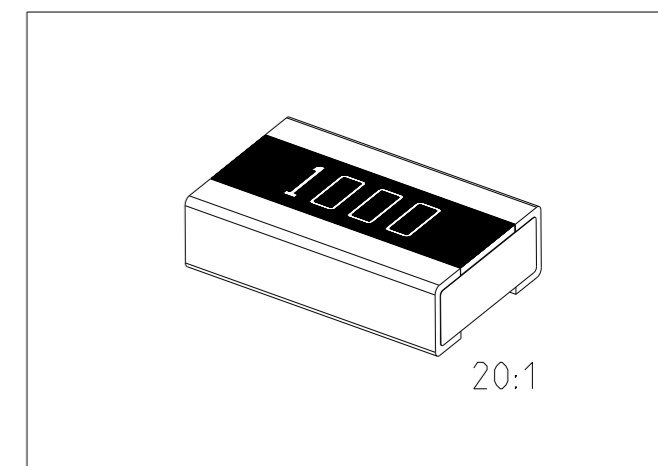
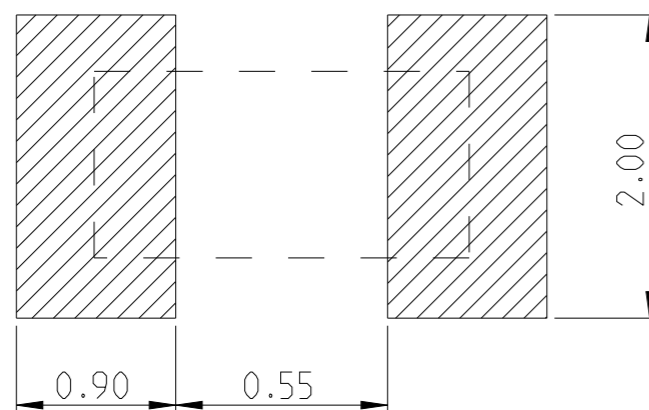


P	LTR	DESCRIPTION	DATE	DWN	APVD
	BA	INITIAL DRAWING RELEASE	19OCT2022	DM	AP



FOR FURTHER INFORMATION SEE DATA SHEET FOR 3430 SERIES AUTOMOTIVE GRADE WIDE TERMINAL CHIP RESISTOR

RECOMMENDED LAND PATTERN



RoHS Compliant


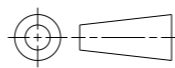
THIS DRAWING IS A CONTROLLED DOCUMENT.		DWN DHEERAJ M 19OCT2022															
DIMENSIONS: mm		CHK A. PILE 19OCT2022															
TOLERANCES UNLESS OTHERWISE SPECIFIED:		APVD A. PILE 19OCT2022	NAME AUTOMOTIVE GRADE WIDE TERMINAL CHIP RESISTOR TYPE 3430 0508 SERIES														
<table border="1"> <tr> <td>0 PLC</td> <td>±</td> </tr> <tr> <td>1 PLC</td> <td>±</td> </tr> <tr> <td>2 PLC</td> <td>±</td> </tr> <tr> <td>3 PLC</td> <td>±</td> </tr> <tr> <td>4 PLC</td> <td>±</td> </tr> <tr> <td>ANGLES</td> <td>±</td> </tr> </table>		0 PLC	±	1 PLC	±	2 PLC	±	3 PLC	±	4 PLC	±	ANGLES	±	PRODUCT SPEC -	RESTRICTED TO -		
0 PLC	±																
1 PLC	±																
2 PLC	±																
3 PLC	±																
4 PLC	±																
ANGLES	±																
MATERIAL -		APPLICATION SPEC -	SIZE A3	CAGE CODE 00779	DRAWING NO C=2176554												
FINISH -		WEIGHT -	SCALE 40:1														
		CUSTOMER DRAWING		SHEET 1 OF 3	REV BA												

REVISIONS

P	LTR	DESCRIPTION	DATE	DWN	APVD
	-	SEE SHEET 1	-	-	-

SCHEDULE			
TCPN	CATALOGUE NUMBER	PART DESCRIPTION	PART STATUS
2176554-1	3430A2ZTDF	3430 A2 Jumper 1k RL	PRODUCTION
2176554-2	3430A2F1R0TDF	3430 A2 1% 1R0 150ppm 1k RL	PRODUCTION
2176554-3	3430A2F1R1TDF	3430 A2 1% 1R1 150ppm 1k RL	PRODUCTION
2176554-4	3430A2F1R2TDF	3430 A2 1% 1R2 150ppm 1k RL	PRODUCTION
2176554-5	3430A2F1R3TDF	3430 A2 1% 1R3 150ppm 1k RL	PRODUCTION
2176554-6	3430A2F1R5TDF	3430 A2 1% 1R5 150ppm 1k RL	PRODUCTION
2176554-7	3430A2F1R6TDF	3430 A2 1% 1R6 150ppm 1k RL	PRODUCTION
2176554-8	3430A2F1R8TDF	3430 A2 1% 1R8 150ppm 1k RL	PRODUCTION
2176554-9	3430A2F2R0TDF	3430 A2 1% 2R0 150ppm 1k RL	PRODUCTION
1-2176554-0	3430A2F2R2TDF	3430 A2 1% 2R2 150ppm 1k RL	PRODUCTION
1-2176554-1	3430A2F2R4TDF	3430 A2 1% 2R4 150ppm 1k RL	PRODUCTION
1-2176554-2	3430A2F2R7TDF	3430 A2 1% 2R7 150ppm 1k RL	PRODUCTION
1-2176554-3	3430A2F3R0TDF	3430 A2 1% 3R0 150ppm 1k RL	PRODUCTION
1-2176554-4	3430A2F3R3TDF	3430 A2 1% 3R3 150ppm 1k RL	PRODUCTION
1-2176554-5	3430A2F3R6TDF	3430 A2 1% 3R6 150ppm 1k RL	PRODUCTION
1-2176554-6	3430A2F3R9TDF	3430 A2 1% 3R9 150ppm 1k RL	PRODUCTION
1-2176554-7	3430A2F4R3TDF	3430 A2 1% 4R3 150ppm 1k RL	PRODUCTION
1-2176554-8	3430A2F4R7TDF	3430 A2 1% 4R7 150ppm 1k RL	PRODUCTION
1-2176554-9	3430A2F5R1TDF	3430 A2 1% 5R1 150ppm 1k RL	PRODUCTION
2-2176554-0	3430A2F5R6TDF	3430 A2 1% 5R6 150ppm 1k RL	PRODUCTION
2-2176554-1	3430A2F6R2TDF	3430 A2 1% 6R2 150ppm 1k RL	PRODUCTION
2-2176554-2	3430A2F6R8TDF	3430 A2 1% 6R8 150ppm 1k RL	PRODUCTION
2-2176554-3	3430A2F7R5TDF	3430 A2 1% 7R5 150ppm 1k RL	PRODUCTION
2-2176554-4	3430A2F8R2TDF	3430 A2 1% 8R2 150ppm 1k RL	PRODUCTION
2-2176554-5	3430A2F9R1TDF	3430 A2 1% 9R1 150ppm 1k RL	PRODUCTION
2-2176554-6	3430A2F10RTDF	3430 A2 1% 10R 100ppm 1k RL	PRODUCTION
2-2176554-7	3430A2F11RTDF	3430 A2 1% 11R 100ppm 1k RL	PRODUCTION
2-2176554-8	3430A2F12RTDF	3430 A2 1% 12R 100ppm 1k RL	PRODUCTION
2-2176554-9	3430A2F13RTDF	3430 A2 1% 13R 100ppm 1k RL	PRODUCTION
3-2176554-0	3430A2F15RTDF	3430 A2 1% 15R 100ppm 1k RL	PRODUCTION

SCHEDULE			
TCPN	CATALOGUE NUMBER	PART DESCRIPTION	PART STATUS
3-2176554-1	3430A2F16RTDF	3430 A2 1% 16R 100ppm 1k RL	PRODUCTION
3-2176554-2	3430A2F18RTDF	3430 A2 1% 18R 100ppm 1k RL	PRODUCTION
3-2176554-3	3430A2F20RTDF	3430 A2 1% 20R 100ppm 1k RL	PRODUCTION
3-2176554-4	3430A2F22RTDF	3430 A2 1% 22R 100ppm 1k RL	PRODUCTION
3-2176554-5	3430A2F24RTDF	3430 A2 1% 24R 100ppm 1k RL	PRODUCTION
3-2176554-6	3430A2F27RTDF	3430 A2 1% 27R 100ppm 1k RL	PRODUCTION
3-2176554-7	3430A2F30RTDF	3430 A2 1% 30R 100ppm 1k RL	PRODUCTION
3-2176554-8	3430A2F33RTDF	3430 A2 1% 33R 100ppm 1k RL	PRODUCTION
3-2176554-9	3430A2F36RTDF	3430 A2 1% 36R 100ppm 1k RL	PRODUCTION
4-2176554-0	3430A2F39RTDF	3430 A2 1% 39R 100ppm 1k RL	PRODUCTION
4-2176554-1	3430A2F43RTDF	3430 A2 1% 43R 100ppm 1k RL	PRODUCTION
4-2176554-2	3430A2F47RTDF	3430 A2 1% 47R 100ppm 1k RL	PRODUCTION
4-2176554-3	3430A2F51RTDF	3430 A2 1% 51R 100ppm 1k RL	PRODUCTION
4-2176554-4	3430A2F56RTDF	3430 A2 1% 56R 100ppm 1k RL	PRODUCTION
4-2176554-5	3430A2F62RTDF	3430 A2 1% 62R 100ppm 1k RL	PRODUCTION
4-2176554-6	3430A2F68RTDF	3430 A2 1% 68R 100ppm 1k RL	PRODUCTION
4-2176554-7	3430A2F75RTDF	3430 A2 1% 75R 100ppm 1k RL	PRODUCTION
4-2176554-8	3430A2F82RTDF	3430 A2 1% 82R 100ppm 1k RL	PRODUCTION
4-2176554-9	3430A2F91RTDF	3430 A2 1% 91R 100ppm 1k RL	PRODUCTION
5-2176554-0	3430A2F100RTDF	3430 A2 1% 100R 100ppm 1k RL	PRODUCTION
5-2176554-1	3430A2F110RTDF	3430 A2 1% 110R 100ppm 1k RL	PRODUCTION
5-2176554-2	3430A2F120RTDF	3430 A2 1% 120R 100ppm 1k RL	PRODUCTION
5-2176554-3	3430A2F130RTDF	3430 A2 1% 130R 100ppm 1k RL	PRODUCTION
5-2176554-4	3430A2F150RTDF	3430 A2 1% 150R 100ppm 1k RL	PRODUCTION
5-2176554-5	3430A2F160RTDF	3430 A2 1% 160R 100ppm 1k RL	PRODUCTION
5-2176554-6	3430A2F180RTDF	3430 A2 1% 180R 100ppm 1k RL	PRODUCTION
5-2176554-7	3430A2F200RTDF	3430 A2 1% 200R 100ppm 1k RL	PRODUCTION
5-2176554-8	3430A2F220RTDF	3430 A2 1% 220R 100ppm 1k RL	PRODUCTION
5-2176554-9	3430A2F240RTDF	3430 A2 1% 240R 100ppm 1k RL	PRODUCTION
6-2176554-0	3430A2F270RTDF	3430 A2 1% 270R 100ppm 1k RL	PRODUCTION

THIS DRAWING IS A CONTROLLED DOCUMENT.		DWN DHEERAJ M 19OCT2022	 TE Connectivity			
DIMENSIONS: mm		CHK A. PILE 19OCT2022				
TOLERANCES UNLESS OTHERWISE SPECIFIED:		APVD A. PILE 19OCT2022	NAME AUTOMOTIVE GRADE WIDE TERMINAL CHIP RESISTOR TYPE 3430 0508 SERIES			
		PRODUCT SPEC				
MATERIAL		APPLICATION SPEC	SIZE	CAGE CODE	DRAWING NO	RESTRICTED TO
-		WEIGHT	A3	00779	©=2176554	-
-		CUSTOMER DRAWING	SCALE	SHEET	OF	REV
-			15:1	2	3	BA

REVISIONS

P	LTR	DESCRIPTION	DATE	DWN	APVD
	-	SEE SHEET 1	-	-	-

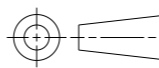
SCHEDULE

TCPN	CATALOGUE NUMBER	PART DESCRIPTION	PART STATUS
6-2176554-1	3430A2F300RTDF	3430 A2 1% 300R 100ppm 1k RL	PRODUCTION
6-2176554-2	3430A2F330RTDF	3430 A2 1% 330R 100ppm 1k RL	PRODUCTION
6-2176554-3	3430A2F360RTDF	3430 A2 1% 360R 100ppm 1k RL	PRODUCTION
6-2176554-4	3430A2F390RTDF	3430 A2 1% 390R 100ppm 1k RL	PRODUCTION
6-2176554-5	3430A2F430RTDF	3430 A2 1% 430R 100ppm 1k RL	PRODUCTION
6-2176554-6	3430A2F470RTDF	3430 A2 1% 470R 100ppm 1k RL	PRODUCTION
6-2176554-7	3430A2F510RTDF	3430 A2 1% 510R 100ppm 1k RL	PRODUCTION
6-2176554-8	3430A2F560RTDF	3430 A2 1% 560R 100ppm 1k RL	PRODUCTION
6-2176554-9	3430A2F620RTDF	3430 A2 1% 620R 100ppm 1k RL	PRODUCTION
7-2176554-0	3430A2F680RTDF	3430 A2 1% 680R 100ppm 1k RL	PRODUCTION
7-2176554-1	3430A2F750RTDF	3430 A2 1% 750R 100ppm 1k RL	PRODUCTION
7-2176554-2	3430A2F820RTDF	3430 A2 1% 820R 100ppm 1k RL	PRODUCTION
7-2176554-3	3430A2F910RTDF	3430 A2 1% 910R 100ppm 1k RL	PRODUCTION
7-2176554-4	3430A2F1K0TDF	3430 A2 1% 1K0 100ppm 1k RL	PRODUCTION
7-2176554-5	3430A2F1K1TDF	3430 A2 1% 1K1 100ppm 1k RL	PRODUCTION
7-2176554-6	3430A2F1K2TDF	3430 A2 1% 1K2 100ppm 1k RL	PRODUCTION
7-2176554-7	3430A2F1K3TDF	3430 A2 1% 1K3 100ppm 1k RL	PRODUCTION
7-2176554-8	3430A2F1K5TDF	3430 A2 1% 1K5 100ppm 1k RL	PRODUCTION
7-2176554-9	3430A2F1K6TDF	3430 A2 1% 1K6 100ppm 1k RL	PRODUCTION
8-2176554-0	3430A2F1K8TDF	3430 A2 1% 1K8 100ppm 1k RL	PRODUCTION
8-2176554-1	3430A2F2K0TDF	3430 A2 1% 2K0 100ppm 1k RL	PRODUCTION
8-2176554-2	3430A2F2K2TDF	3430 A2 1% 2K2 100ppm 1k RL	PRODUCTION
8-2176554-3	3430A2F2K4TDF	3430 A2 1% 2K4 100ppm 1k RL	PRODUCTION
8-2176554-4	3430A2F2K7TDF	3430 A2 1% 2K7 100ppm 1k RL	PRODUCTION
8-2176554-5	3430A2F3K0TDF	3430 A2 1% 3K0 100ppm 1k RL	PRODUCTION
8-2176554-6	3430A2F3K3TDF	3430 A2 1% 3K3 100ppm 1k RL	PRODUCTION
8-2176554-7	3430A2F3K6TDF	3430 A2 1% 3K6 100ppm 1k RL	PRODUCTION
8-2176554-8	3430A2F3K9TDF	3430 A2 1% 3K9 100ppm 1k RL	PRODUCTION
8-2176554-9	3430A2F4K3TDF	3430 A2 1% 4K3 100ppm 1k RL	PRODUCTION
9-2176554-0	3430A2F4K7TDF	3430 A2 1% 4K7 100ppm 1k RL	PRODUCTION

SCHEDULE

TCPN	CATALOGUE NUMBER	PART DESCRIPTION	PART STATUS
9-2176554-1	3430A2F5K1TDF	3430 A2 1% 5K1 100ppm 1k RL	PRODUCTION
9-2176554-2	3430A2F5K6TDF	3430 A2 1% 5K6 100ppm 1k RL	PRODUCTION
9-2176554-3	3430A2F6K2TDF	3430 A2 1% 6K2 100ppm 1k RL	PRODUCTION
9-2176554-4	3430A2F6K8TDF	3430 A2 1% 6K8 100ppm 1k RL	PRODUCTION
9-2176554-5	3430A2F7K5TDF	3430 A2 1% 7K5 100ppm 1k RL	PRODUCTION
9-2176554-6	3430A2F8K2TDF	3430 A2 1% 8K2 100ppm 1k RL	PRODUCTION
9-2176554-7	3430A2F9K1TDF	3430 A2 1% 9K1 100ppm 1k RL	PRODUCTION
9-2176554-8	3430A2F10KTDF	3430 A2 1% 10K 100ppm 1k RL	PRODUCTION
9-2176554-9	3430A2F11KTDF	3430 A2 1% 11K 100ppm 1k RL	PRODUCTION

THIS DRAWING IS A CONTROLLED DOCUMENT.

DIMENSIONS: mm	TOLERANCES UNLESS OTHERWISE SPECIFIED:
	0 PLC ± 1 PLC ± 2 PLC ± 3 PLC ± 4 PLC ± ANGLES ±
MATERIAL	FINISH
-	-

DWN	19OCT2022
CHK	DHEERAJ M
APVD	19OCT2022
PRODUCT SPEC	A. PILE
APPLICATION SPEC	A. PILE
WEIGHT	-
CUSTOMER DRAWING	



TE Connectivity

AUTOMOTIVE GRADE WIDE TERMINAL CHIP RESISTOR TYPE 3430 0508 SERIES

NAME	SIZE	CAGE CODE	DRAWING NO	RESTRICTED TO
	A3	00779	©=2176554	-
SCALE	SHEET	OF	REV	
40:1	3	3	BA	