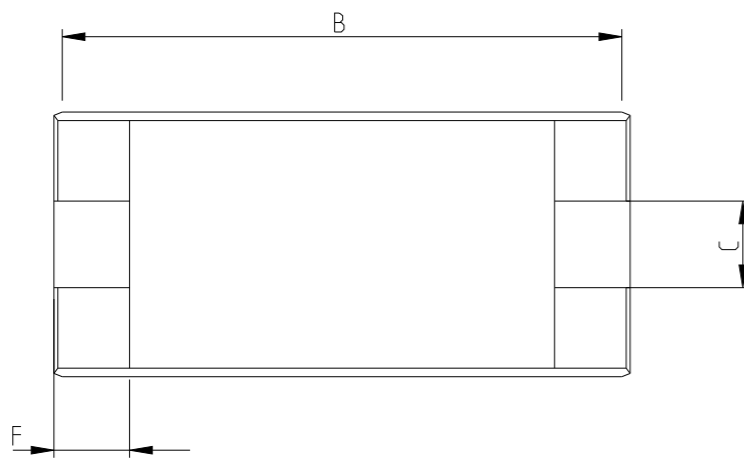
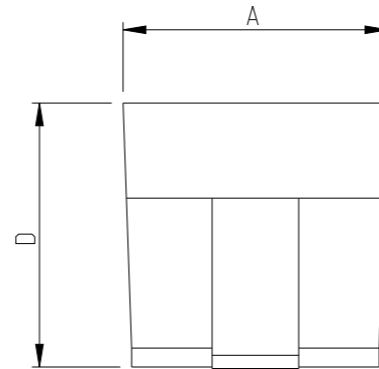
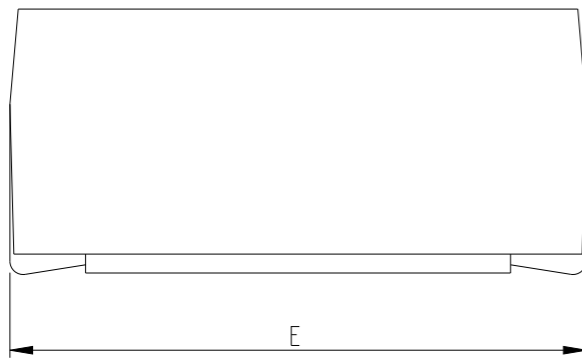


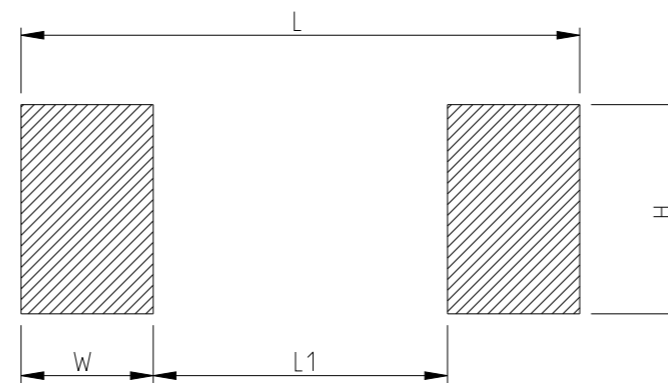
P	LTR	DESCRIPTION	DATE	DWN	APVD
	BA	NEW RELEASE	15MAY2023	DM	AP

FOR FURTHER INFORMATION REFER TO SMD MOULDED POWER RESISTOR TYPE SMQ SERIES

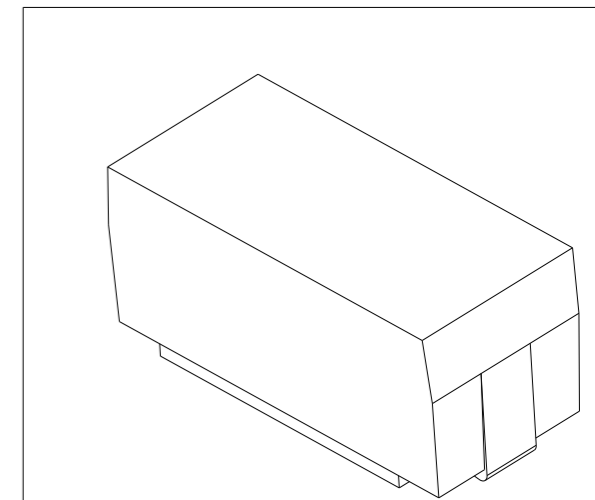


TYPE	RATED POWER	A ±0.3 (mm)	B ±0.3 (mm)	C ±0.3 (mm)	D ±0.3 (mm)	E Max. (mm)	F ±0.3 (mm)
SMQW 1W	1W	4	6.7	1.4	3.55	7.9	1.5

RECOMMEND LAND PATTERN



TYPE	RATED POWER	DIMENSIONS (mm)			
		W	H	L	L1
SMQW 1W	1W	2.6	2	9.2	4



THIS DRAWING IS A CONTROLLED DOCUMENT.

DWN DHEERAJ M 15MAY2023

CHK ALLAN P 15MAY2023

APVD ALLAN P 15MAY2023

PRODUCT SPEC

APPLICATION SPEC

WEIGHT -

CUSTOMER DRAWING



NAME SMD MOULDED POWER RESISTORS AEC-Q200 QUALIFIED TYPE SMQW1W SERIES

SIZE CAGE CODE DRAWING NO RESTRICTED TO

A3 00779 C=2176615

SCALE 5:1 SHEET 1 OF 3 REV BA

DIMENSIONS:	TOLERANCES UNLESS OTHERWISE SPECIFIED:
mm	
	0 PLC ±0.2
	1 PLC ±0.1
	2 PLC ±
	3 PLC ±
	4 PLC ±
	ANGLES ±5°
MATERIAL	FINISH
-	-
-	-

REVISIONS

P	LTR	DESCRIPTION	DATE	DWN	APVD
	-	SEE SHEET 1	-	-	-

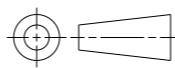
SCHEDULE

TCPN	CATALOGUE NUMBER	PART DESCRIPTION	PART STATUS
2176615-1	SMQW 1R10JT	SMQW 1W R10 5%	PRODUCTION
2176615-2	SMQW 1R11JT	SMQW 1W R11 5%	PRODUCTION
2176615-3	SMQW 1R12JT	SMQW 1W R12 5%	PRODUCTION
2176615-4	SMQW 1R13JT	SMQW 1W R13 5%	PRODUCTION
2176615-5	SMQW 1R15JT	SMQW 1W R15 5%	PRODUCTION
2176615-6	SMQW 1R16JT	SMQW 1W R16 5%	PRODUCTION
2176615-7	SMQW 1R18JT	SMQW 1W R18 5%	PRODUCTION
2176615-8	SMQW 1R20JT	SMQW 1W R20 5%	PRODUCTION
2176615-9	SMQW 1R22JT	SMQW 1W R22 5%	PRODUCTION
1-2176615-0	SMQW 1R24JT	SMQW 1W R24 5%	PRODUCTION
1-2176615-1	SMQW 1R27JT	SMQW 1W R27 5%	PRODUCTION
1-2176615-2	SMQW 1R30JT	SMQW 1W R30 5%	PRODUCTION
1-2176615-3	SMQW 1R33JT	SMQW 1W R33 5%	PRODUCTION
1-2176615-4	SMQW 1R36JT	SMQW 1W R36 5%	PRODUCTION
1-2176615-5	SMQW 1R39JT	SMQW 1W R39 5%	PRODUCTION
1-2176615-6	SMQW 1R43JT	SMQW 1W R43 5%	PRODUCTION
1-2176615-7	SMQW 1R47JT	SMQW 1W R47 5%	PRODUCTION
1-2176615-8	SMQW 1R51JT	SMQW 1W R51 5%	PRODUCTION
1-2176615-9	SMQW 1R56JT	SMQW 1W R56 5%	PRODUCTION
2-2176615-0	SMQW 1R62JT	SMQW 1W R62 5%	PRODUCTION
2-2176615-1	SMQW 1R68JT	SMQW 1W R68 5%	PRODUCTION
2-2176615-2	SMQW 1R75JT	SMQW 1W R75 5%	PRODUCTION
2-2176615-3	SMQW 1R82JT	SMQW 1W R82 5%	PRODUCTION
2-2176615-4	SMQW 1R91JT	SMQW 1W R91 5%	PRODUCTION
2-2176615-5	SMQW 1R0JT	SMQW 1W 1R0 5%	PRODUCTION
2-2176615-6	SMQW 1R1JT	SMQW 1W 1R1 5%	PRODUCTION
2-2176615-7	SMQW 1R2JT	SMQW 1W 1R2 5%	PRODUCTION
2-2176615-8	SMQW 1R3JT	SMQW 1W 1R3 5%	PRODUCTION
2-2176615-9	SMQW 1R5JT	SMQW 1W 1R5 5%	PRODUCTION
3-2176615-0	SMQW 1R6JT	SMQW 1W 1R6 5%	PRODUCTION

SCHEDULE

TCPN	CATALOGUE NUMBER	PART DESCRIPTION	PART STATUS
3-2176615-1	SMQW 11R8JT	SMQW 1W 1R8 5%	PRODUCTION
3-2176615-2	SMQW 12R0JT	SMQW 1W 2R0 5%	PRODUCTION
3-2176615-3	SMQW 12R2JT	SMQW 1W 2R2 5%	PRODUCTION
3-2176615-4	SMQW 12R4JT	SMQW 1W 2R4 5%	PRODUCTION
3-2176615-5	SMQW 12R7JT	SMQW 1W 2R7 5%	PRODUCTION
3-2176615-6	SMQW 13R0JT	SMQW 1W 3R0 5%	PRODUCTION
3-2176615-7	SMQW 13R3JT	SMQW 1W 3R3 5%	PRODUCTION
3-2176615-8	SMQW 13R6JT	SMQW 1W 3R6 5%	PRODUCTION
3-2176615-9	SMQW 13R9JT	SMQW 1W 3R9 5%	PRODUCTION
4-2176615-0	SMQW 14R3JT	SMQW 1W 4R3 5%	PRODUCTION
4-2176615-1	SMQW 14R7JT	SMQW 1W 4R7 5%	PRODUCTION
4-2176615-2	SMQW 15R1JT	SMQW 1W 5R1 5%	PRODUCTION
4-2176615-3	SMQW 15R6JT	SMQW 1W 5R6 5%	PRODUCTION
4-2176615-4	SMQW 16R2JT	SMQW 1W 6R2 5%	PRODUCTION
4-2176615-5	SMQW 16R8JT	SMQW 1W 6R8 5%	PRODUCTION
4-2176615-6	SMQW 17R5JT	SMQW 1W 7R5 5%	PRODUCTION
4-2176615-7	SMQW 18R2JT	SMQW 1W 8R2 5%	PRODUCTION
4-2176615-8	SMQW 19R1JT	SMQW 1W 9R1 5%	PRODUCTION
4-2176615-9	SMQW 110RJT	SMQW 1W 10R 5%	PRODUCTION
5-2176615-0	SMQW 111RJT	SMQW 1W 11R 5%	PRODUCTION
5-2176615-1	SMQW 112RJT	SMQW 1W 12R 5%	PRODUCTION
5-2176615-2	SMQW 113RJT	SMQW 1W 13R 5%	PRODUCTION
5-2176615-3	SMQW 115RJT	SMQW 1W 15R 5%	PRODUCTION
5-2176615-4	SMQW 116RJT	SMQW 1W 16R 5%	PRODUCTION
5-2176615-5	SMQW 118RJT	SMQW 1W 18R 5%	PRODUCTION
5-2176615-6	SMQW 120RJT	SMQW 1W 20R 5%	PRODUCTION
5-2176615-7	SMQW 122RJT	SMQW 1W 22R 5%	PRODUCTION
5-2176615-8	SMQW 124RJT	SMQW 1W 24R 5%	PRODUCTION
5-2176615-9	SMQW 127RJT	SMQW 1W 27R 5%	PRODUCTION
6-2176615-0	SMQW 130RJT	SMQW 1W 30R 5%	PRODUCTION

THIS DRAWING IS A CONTROLLED DOCUMENT.

DIMENSIONS: mm	TOLERANCES UNLESS OTHERWISE SPECIFIED:
	0 PLC ±0.2 1 PLC ±0.1 2 PLC ± 3 PLC ± 4 PLC ± ANGLES ±5°
MATERIAL	FINISH
-	-

DWN	15MAY2023
CHK	DHEERAJ M
APVD	15MAY2023
PRODUCT SPEC	ALLAN P
APPLICATION SPEC	ALLAN P
WEIGHT	-
CUSTOMER DRAWING	-



NAME SMD MOULDED POWER RESISTORS AEC-Q200 QUALIFIED TYPE SMQW1W SERIES


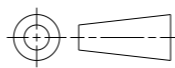
SIZE	CAGE CODE	DRAWING NO	RESTRICTED TO
A3	00779	©=2176615	-
SCALE	SHEET	OF	REV
5:1	2	3	BA

REVISIONS

P	LTR	DESCRIPTION	DATE	DWN	APVD
-		SEE SHEET 1	-	-	-

SCHEDULE

TCPN	CATALOGUE NUMBER	PART DESCRIPTION	PART STATUS
6-2176615-1	SMQW 133RJT	SMQW 1W 33R 5%	PRODUCTION
6-2176615-2	SMQW 136RJT	SMQW 1W 36R 5%	PRODUCTION
6-2176615-3	SMQW 139RJT	SMQW 1W 39R 5%	PRODUCTION
6-2176615-4	SMQW 143RJT	SMQW 1W 43R 5%	PRODUCTION
6-2176615-5	SMQW 147RJT	SMQW 1W 47R 5%	PRODUCTION
6-2176615-6	SMQW 151RJT	SMQW 1W 51R 5%	PRODUCTION
6-2176615-7	SMQW 156RJT	SMQW 1W 56R 5%	PRODUCTION
6-2176615-8	SMQW 162RJT	SMQW 1W 62R 5%	PRODUCTION
6-2176615-9	SMQW 168RJT	SMQW 1W 68R 5%	PRODUCTION
7-2176615-0	SMQW 175RJT	SMQW 1W 75R 5%	PRODUCTION
7-2176615-1	SMQW 182RJT	SMQW 1W 82R 5%	PRODUCTION
7-2176615-2	SMQW 191RJT	SMQW 1W 91R 5%	PRODUCTION
7-2176615-3	SMQW 1100RJT	SMQW 1W 100R 5%	PRODUCTION
7-2176615-4	SMQW 1110RJT	SMQW 1W 110R 5%	PRODUCTION
7-2176615-5	SMQW 1120RJT	SMQW 1W 120R 5%	PRODUCTION
7-2176615-6	SMQW 1130RJT	SMQW 1W 130R 5%	PRODUCTION
7-2176615-7	SMQW 1150RJT	SMQW 1W 150R 5%	PRODUCTION
7-2176615-8	SMQW 1160RJT	SMQW 1W 160R 5%	PRODUCTION
7-2176615-9	SMQW 1180RJT	SMQW 1W 180R 5%	PRODUCTION
8-2176615-0	SMQW 1200RJT	SMQW 1W 200R 5%	PRODUCTION

THIS DRAWING IS A CONTROLLED DOCUMENT.		DWN DHEERAJ M 15MAY2023	 TE Connectivity	
DIMENSIONS: mm		CHK ALLAN P 15MAY2023		
		APVD ALLAN P 15MAY2023		
TOLERANCES UNLESS OTHERWISE SPECIFIED:		PRODUCT SPEC	NAME SMD MOULDED POWER RESISTORS AEC-Q200 QUALIFIED TYPE SMQW1W SERIES	
0 PLC ±0.2		APPLICATION SPEC	SIZE	RESTRICTED TO
1 PLC ±0.1			CAGE CODE	
2 PLC ±-			DRAWING NO	
3 PLC ±-			SCALE	
4 PLC ±-			SHEET	
ANGLES ±5°		WEIGHT	OF	
FINISH			3	
MATERIAL		CUSTOMER DRAWING	REV	
-			BA	
-				