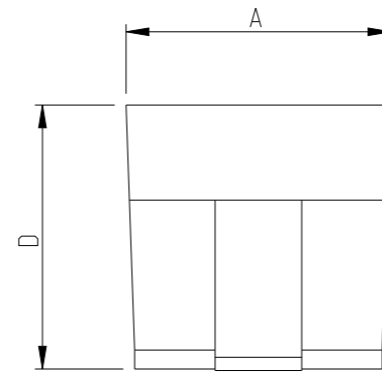
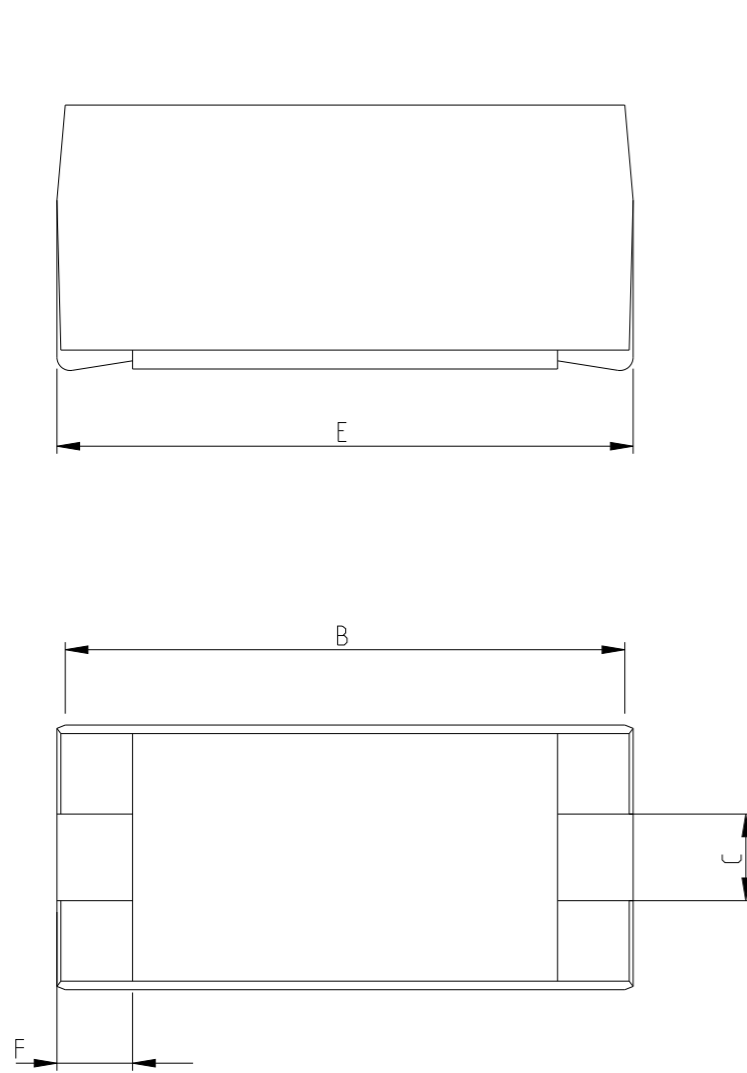


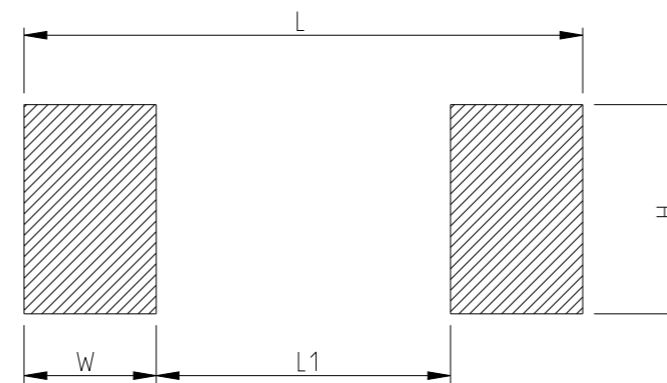
P	LTR	DESCRIPTION	DATE	DWN	APVD
	BA	NEW RELEASE	15MAY2023	DM	AP

FOR FURTHER INFORMATION REFER TO SMD MOULDED POWER RESISTOR TYPE SMQ SERIES

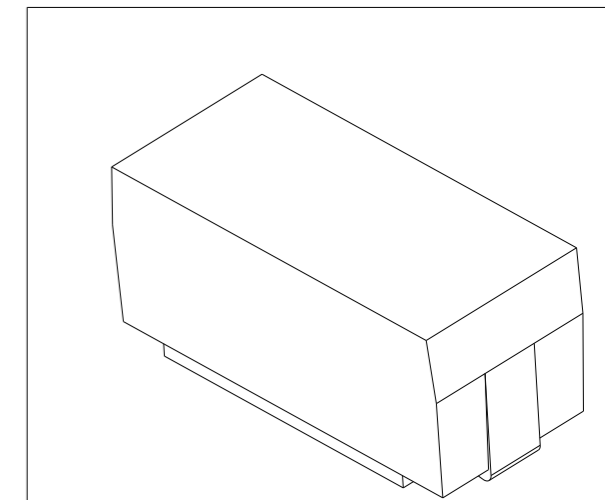


TYPE	RATED POWER	A ±0.3 (mm)	B ±0.3 (mm)	C ±0.3 (mm)	D ±0.3 (mm)	E Max. (mm)	F ±0.3 (mm)
SMQW 3W	3W	7.3	13.5	1.7	6.8	17	2.5

RECOMMEND LAND PATTERN



TYPE	RATED POWER	DIMENSIONS (mm)			
		W	H	L	L1
SMQW 3W	3W	4.5	3.4	18	9



THIS DRAWING IS A CONTROLLED DOCUMENT.

DWN DHEERAJ M 15MAY2023

CHK ALLAN P 15MAY2023

APVD ALLAN P 15MAY2023

PRODUCT SPEC

APPLICATION SPEC

WEIGHT

CUSTOMER DRAWING



NAME SMD MOULDED POWER RESISTORS AEC-Q200 QUALIFIED TYPE SMQW 3W SERIES

SIZE CAGE CODE DRAWING NO RESTRICTED TO

A3 00779 C=2176617

SCALE 5:1 SHEET 1 OF 3 REV BA

DIMENSIONS:		TOLERANCES UNLESS OTHERWISE SPECIFIED:	
mm			
	0 PLC	±0.2	
	1 PLC	±0.1	
	2 PLC	±	
	3 PLC	±	
	4 PLC	±	
ANGLES		±	±5°
MATERIAL		FINISH	
-		-	
-		-	

REVISIONS

P	LTR	DESCRIPTION	DATE	DWN	APVD
	-	SEE SHEET 1	-	-	-

SCHEDULE

TCPN	CATALOGUE NUMBER	PART DESCRIPTION	PART STATUS
2176617-1	SMQW 3R10JT	SMQW 3W R10 5%	PRODUCTION
2176617-2	SMQW 3R11JT	SMQW 3W R11 5%	PRODUCTION
2176617-3	SMQW 3R12JT	SMQW 3W R12 5%	PRODUCTION
2176617-4	SMQW 3R13JT	SMQW 3W R13 5%	PRODUCTION
2176617-5	SMQW 3R15JT	SMQW 3W R15 5%	PRODUCTION
2176617-6	SMQW 3R16JT	SMQW 3W R16 5%	PRODUCTION
2176617-7	SMQW 3R18JT	SMQW 3W R18 5%	PRODUCTION
2176617-8	SMQW 3R20JT	SMQW 3W R20 5%	PRODUCTION
2176617-9	SMQW 3R22JT	SMQW 3W R22 5%	PRODUCTION
1-2176617-0	SMQW 3R24JT	SMQW 3W R24 5%	PRODUCTION
1-2176617-1	SMQW 3R27JT	SMQW 3W R27 5%	PRODUCTION
1-2176617-2	SMQW 3R30JT	SMQW 3W R30 5%	PRODUCTION
1-2176617-3	SMQW 3R33JT	SMQW 3W R33 5%	PRODUCTION
1-2176617-4	SMQW 3R36JT	SMQW 3W R36 5%	PRODUCTION
1-2176617-5	SMQW 3R39JT	SMQW 3W R39 5%	PRODUCTION
1-2176617-6	SMQW 3R43JT	SMQW 3W R43 5%	PRODUCTION
1-2176617-7	SMQW 3R47JT	SMQW 3W R47 5%	PRODUCTION
1-2176617-8	SMQW 3R51JT	SMQW 3W R51 5%	PRODUCTION
1-2176617-9	SMQW 3R56JT	SMQW 3W R56 5%	PRODUCTION
2-2176617-0	SMQW 3R62JT	SMQW 3W R62 5%	PRODUCTION
2-2176617-1	SMQW 3R68JT	SMQW 3W R68 5%	PRODUCTION
2-2176617-2	SMQW 3R75JT	SMQW 3W R75 5%	PRODUCTION
2-2176617-3	SMQW 3R82JT	SMQW 3W R82 5%	PRODUCTION
2-2176617-4	SMQW 3R91JT	SMQW 3W R91 5%	PRODUCTION
2-2176617-5	SMQW 3R0JT	SMQW 3W 1R0 5%	PRODUCTION
2-2176617-6	SMQW 3R1JT	SMQW 3W 1R1 5%	PRODUCTION
2-2176617-7	SMQW 3R2JT	SMQW 3W 1R2 5%	PRODUCTION
2-2176617-8	SMQW 3R3JT	SMQW 3W 1R3 5%	PRODUCTION
2-2176617-9	SMQW 3R5JT	SMQW 3W 1R5 5%	PRODUCTION
3-2176617-0	SMQW 3R6JT	SMQW 3W 1R6 5%	PRODUCTION

SCHEDULE

TCPN	CATALOGUE NUMBER	PART DESCRIPTION	PART STATUS
3-2176617-1	SMQW 3R8JT	SMQW 3W 1R8 5%	PRODUCTION
3-2176617-2	SMQW 3R0JT	SMQW 3W 2R0 5%	PRODUCTION
3-2176617-3	SMQW 3R2JT	SMQW 3W 2R2 5%	PRODUCTION
3-2176617-4	SMQW 3R4JT	SMQW 3W 2R4 5%	PRODUCTION
3-2176617-5	SMQW 3R7JT	SMQW 3W 2R7 5%	PRODUCTION
3-2176617-6	SMQW 3R0JT	SMQW 3W 3R0 5%	PRODUCTION
3-2176617-7	SMQW 3R3JT	SMQW 3W 3R3 5%	PRODUCTION
3-2176617-8	SMQW 3R6JT	SMQW 3W 3R6 5%	PRODUCTION
3-2176617-9	SMQW 3R9JT	SMQW 3W 3R9 5%	PRODUCTION
4-2176617-0	SMQW 3R3JT	SMQW 3W 4R3 5%	PRODUCTION
4-2176617-1	SMQW 3R7JT	SMQW 3W 4R7 5%	PRODUCTION
4-2176617-2	SMQW 3R1JT	SMQW 3W 5R1 5%	PRODUCTION
4-2176617-3	SMQW 3R6JT	SMQW 3W 5R6 5%	PRODUCTION
4-2176617-4	SMQW 3R2JT	SMQW 3W 6R2 5%	PRODUCTION
4-2176617-5	SMQW 3R8JT	SMQW 3W 6R8 5%	PRODUCTION
4-2176617-6	SMQW 3R5JT	SMQW 3W 7R5 5%	PRODUCTION
4-2176617-7	SMQW 3R2JT	SMQW 3W 8R2 5%	PRODUCTION
4-2176617-8	SMQW 3R9JT	SMQW 3W 9R1 5%	PRODUCTION
4-2176617-9	SMQW 3R0JT	SMQW 3W 10R 5%	PRODUCTION
5-2176617-0	SMQW 3R1RJT	SMQW 3W 11R 5%	PRODUCTION
5-2176617-1	SMQW 3R2RJT	SMQW 3W 12R 5%	PRODUCTION
5-2176617-2	SMQW 3R3RJT	SMQW 3W 13R 5%	PRODUCTION
5-2176617-3	SMQW 3R5RJT	SMQW 3W 15R 5%	PRODUCTION
5-2176617-4	SMQW 3R6RJT	SMQW 3W 16R 5%	PRODUCTION
5-2176617-5	SMQW 3R8RJT	SMQW 3W 18R 5%	PRODUCTION
5-2176617-6	SMQW 3R0RJT	SMQW 3W 20R 5%	PRODUCTION
5-2176617-7	SMQW 3R2RJT	SMQW 3W 22R 5%	PRODUCTION
5-2176617-8	SMQW 3R4RJT	SMQW 3W 24R 5%	PRODUCTION
5-2176617-9	SMQW 3R7RJT	SMQW 3W 27R 5%	PRODUCTION
6-2176617-0	SMQW 3R0RJT	SMQW 3W 30R 5%	PRODUCTION

THIS DRAWING IS A CONTROLLED DOCUMENT.

DIMENSIONS: mm	TOLERANCES UNLESS OTHERWISE SPECIFIED:
	0 PLC ±0.2 1 PLC ±0.1 2 PLC ± 3 PLC ± 4 PLC ± ANGLES ±5°
MATERIAL	FINISH
-	-

DWN	DHEERAJ M	15MAY2023
CHK	ALLAN P	15MAY2023
APVD	ALLAN P	15MAY2023
PRODUCT SPEC	-	-
APPLICATION SPEC	-	-
WEIGHT	-	-
CUSTOMER DRAWING		



TE Connectivity


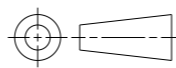
NAME
SMD MOULDED POWER RESISTORS AEC-Q200
QUALIFIED TYPE SMQW 3W SERIES

SIZE	CAGE CODE	DRAWING NO	RESTRICTED TO
A3	00779	©=2176617	-
SCALE	SHEET	OF	REV
5:1	2	3	BA

REVISIONS

P	LTR	DESCRIPTION	DATE	DWN	APVD
	-	SEE SHEET 1	-	-	-

SCHEDULE			
TCPN	CATALOGUE NUMBER	PART DESCRIPTION	PART STATUS
6-2176617-1	SMQW 333RJT	SMQW 3W 33R 5%	PRODUCTION
6-2176617-2	SMQW 336RJT	SMQW 3W 36R 5%	PRODUCTION
6-2176617-3	SMQW 339RJT	SMQW 3W 39R 5%	PRODUCTION
6-2176617-4	SMQW 343RJT	SMQW 3W 43R 5%	PRODUCTION
6-2176617-5	SMQW 347RJT	SMQW 3W 47R 5%	PRODUCTION
6-2176617-6	SMQW 351RJT	SMQW 3W 51R 5%	PRODUCTION
6-2176617-7	SMQW 356RJT	SMQW 3W 56R 5%	PRODUCTION
6-2176617-8	SMQW 362RJT	SMQW 3W 62R 5%	PRODUCTION
6-2176617-9	SMQW 368RJT	SMQW 3W 68R 5%	PRODUCTION
7-2176617-0	SMQW 375RJT	SMQW 3W 75R 5%	PRODUCTION
7-2176617-1	SMQW 382RJT	SMQW 3W 82R 5%	PRODUCTION
7-2176617-2	SMQW 391RJT	SMQW 3W 91R 5%	PRODUCTION
7-2176617-3	SMQW 3100RJT	SMQW 3W 100R 5%	PRODUCTION
7-2176617-4	SMQW 3110RJT	SMQW 3W 110R 5%	PRODUCTION
7-2176617-5	SMQW 3120RJT	SMQW 3W 120R 5%	PRODUCTION
7-2176617-6	SMQW 3130RJT	SMQW 3W 130R 5%	PRODUCTION
7-2176617-7	SMQW 3150RJT	SMQW 3W 150R 5%	PRODUCTION
7-2176617-8	SMQW 3160RJT	SMQW 3W 160R 5%	PRODUCTION
7-2176617-9	SMQW 3180RJT	SMQW 3W 180R 5%	PRODUCTION
8-2176617-0	SMQW 3200RJT	SMQW 3W 200R 5%	PRODUCTION
8-2176617-1	SMQW 3220RJT	SMQW 3W 220R 5%	PRODUCTION
8-2176617-2	SMQW 3240RJT	SMQW 3W 240R 5%	PRODUCTION
8-2176617-3	SMQW 3270RJT	SMQW 3W 270R 5%	PRODUCTION
8-2176617-4	SMQW 3300RJT	SMQW 3W 300R 5%	PRODUCTION
8-2176617-5	SMQW 3330RJT	SMQW 3W 330R 5%	PRODUCTION
8-2176617-6	SMQW 3360RJT	SMQW 3W 360R 5%	PRODUCTION
8-2176617-7	SMQW 3390RJT	SMQW 3W 390R 5%	PRODUCTION
8-2176617-8	SMQW 3430RJT	SMQW 3W 430R 5%	PRODUCTION
8-2176617-9	SMQW 3470RJT	SMQW 3W 470R 5%	PRODUCTION

THIS DRAWING IS A CONTROLLED DOCUMENT.		DWN DHEERAJ M 15MAY2023	 TE Connectivity		
		CHK ALLAN P 15MAY2023			
DIMENSIONS: mm		APVD ALLAN P 15MAY2023	NAME SMD MOULDED POWER RESISTORS AEC-Q200 QUALIFIED TYPE SMQW 3W SERIES		
		PRODUCT SPEC -			
TOLERANCES UNLESS OTHERWISE SPECIFIED:		APPLICATION SPEC -	RESTRICTED TO -		
0 PLC ±0.2 1 PLC ±0.1 2 PLC ± 3 PLC ± 4 PLC ± ANGLES ±5°		WEIGHT -	SIZE A3	CAGE CODE 00779	DRAWING NO C=2176617
MATERIAL -		CUSTOMER DRAWING	SCALE 5:1	SHEET 3 OF 3	REV BA