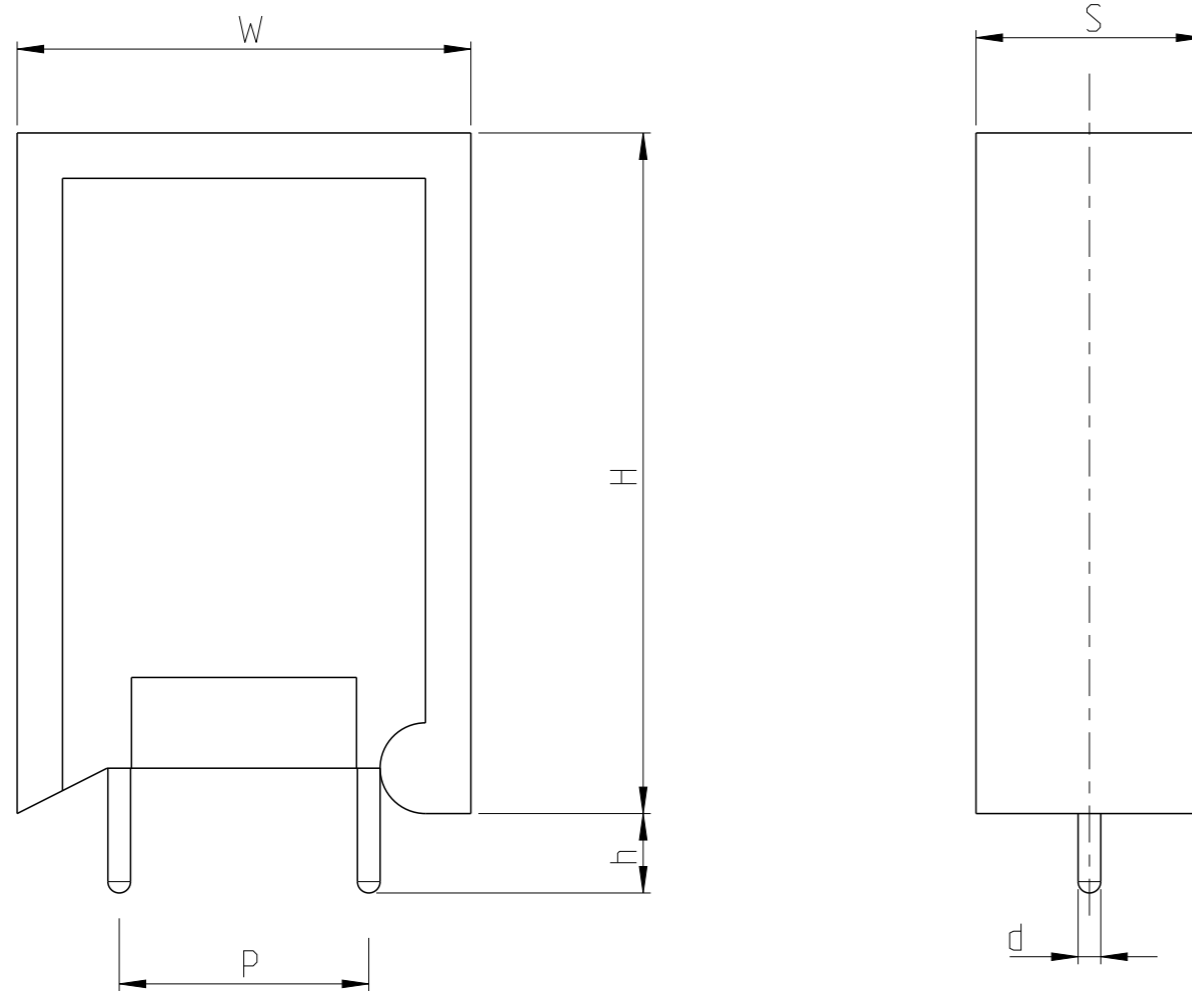
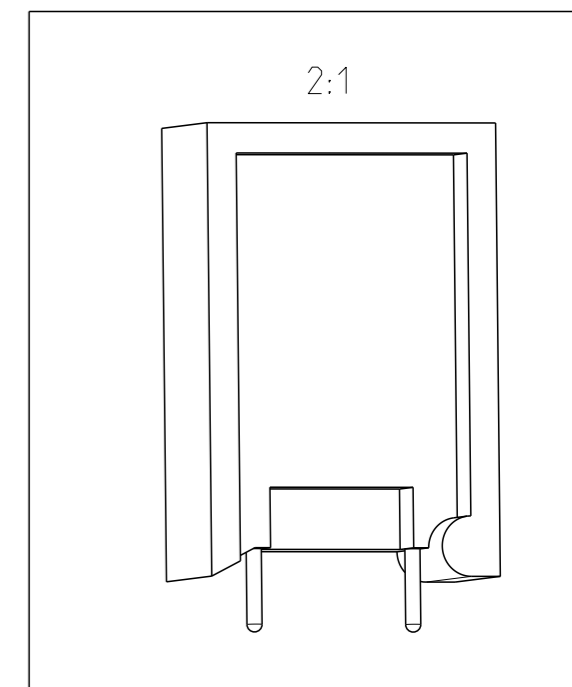


P	LTR	DESCRIPTION	DATE	DWN	APVD
	BA	NEW DRAWING RELEASE	01AUG2023	DM	AP



FOR FURTHER INFORMATION SEE DATA SHEET FOR HIGH POWER RESISTORS TYPE SQ SERIES

RoHS Compliant



TYPE	H±1	W±1	S±0.3	d±0.1	P±0.5	h±0.5
SQMB 10W	30	20	10	1	11	3.5

THIS DRAWING IS A CONTROLLED DOCUMENT.

DIMENSIONS:	TOLERANCES UNLESS OTHERWISE SPECIFIED:
mm	
	0 PLC ±
	1 PLC ±
	2 PLC ±
	3 PLC ±
	4 PLC ±
	ANGLES ±
MATERIAL	FINISH
-	-
-	-

DWN	DHEERAJ M	01AUG2023
CHK	TRACY G	01AUG2023
APVD	ALLAN P	01AUG2023
PRODUCT SPEC	-	-
APPLICATION SPEC	-	-
WEIGHT	-	-
CUSTOMER DRAWING		

TE TE Connectivity

NAME
HIGH POWER RESISTORS
TYPE SQMB 10W SERIES


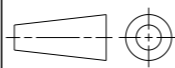
SIZE	CAGE CODE	DRAWING NO	RESTRICTED TO
A3	00779	©=2176633	-
SCALE		SHEET	REV
3:1		1 OF 5	BA

REVISIONS

P	LTR	DESCRIPTION	DATE	DWN	APVD
-		SEE SHEET 1	-	-	-

SCHEDULE

TCPN	CATALOGUE NUMBER	PART DESCRIPTION	PART STATUS
2176633-1	SQMBW 101R0J	SQMB10 1R0 (W IRE) 5%	PRODUCTION
2176633-2	SQMBW 101R1J	SQMB10 1R1 (W IRE) 5%	PRODUCTION
2176633-3	SQMBW 101R2J	SQMB10 1R2 (W IRE) 5%	PRODUCTION
2176633-4	SQMBW 101R3J	SQMB10 1R3 (W IRE) 5%	PRODUCTION
2176633-5	SQMBW 101R5J	SQMB10 1R5 (W IRE) 5%	PRODUCTION
2176633-6	SQMBW 101R6J	SQMB10 1R6 (W IRE) 5%	PRODUCTION
2176633-7	SQMBW 101R8J	SQMB10 1R8 (W IRE) 5%	PRODUCTION
2176633-8	SQMBW 102R0J	SQMB10 2R0 (W IRE) 5%	PRODUCTION
2176633-9	SQMBW 102R2J	SQMB10 2R2 (W IRE) 5%	PRODUCTION
1-2176633-0	SQMBW 102R4J	SQMB10 2R4 (W IRE) 5%	PRODUCTION
1-2176633-1	SQMBW 102R7J	SQMB10 2R7 (W IRE) 5%	PRODUCTION
1-2176633-2	SQMBW 103R0J	SQMB10 3R0 (W IRE) 5%	PRODUCTION
1-2176633-3	SQMBW 103R3J	SQMB10 3R3 (W IRE) 5%	PRODUCTION
1-2176633-4	SQMBW 103R6J	SQMB10 3R6 (W IRE) 5%	PRODUCTION
1-2176633-5	SQMBW 103R9J	SQMB10 3R9 (W IRE) 5%	PRODUCTION
1-2176633-6	SQMBW 104R3J	SQMB10 4R3 (W IRE) 5%	PRODUCTION
1-2176633-7	SQMBW 104R7J	SQMB10 4R7 (W IRE) 5%	PRODUCTION
1-2176633-8	SQMBW 105R1J	SQMB10 5R1 (W IRE) 5%	PRODUCTION
1-2176633-9	SQMBW 105R6J	SQMB10 5R6 (W IRE) 5%	PRODUCTION
2-2176633-0	SQMBW 106R2J	SQMB10 6R2 (W IRE) 5%	PRODUCTION
2-2176633-1	SQMBW 106R8J	SQMB10 6R8 (W IRE) 5%	PRODUCTION
2-2176633-2	SQMBW 107R5J	SQMB10 7R5 (W IRE) 5%	PRODUCTION
2-2176633-3	SQMBW 108R2J	SQMB10 8R2 (W IRE) 5%	PRODUCTION
2-2176633-4	SQMBW 109R1J	SQMB10 9R1 (W IRE) 5%	PRODUCTION
2-2176633-5	SQMBW 1010RJ	SQMB10 10R (W IRE) 5%	PRODUCTION
2-2176633-6	SQMBW 1011RJ	SQMB10 11R (W IRE) 5%	PRODUCTION
2-2176633-7	SQMBW 1012RJ	SQMB10 12R (W IRE) 5%	PRODUCTION
2-2176633-8	SQMBW 1013RJ	SQMB10 13R (W IRE) 5%	PRODUCTION
2-2176633-9	SQMBW 1015RJ	SQMB10 15R (W IRE) 5%	PRODUCTION
3-2176633-0	SQMBW 1016RJ	SQMB10 16R (W IRE) 5%	PRODUCTION


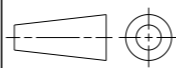
THIS DRAWING IS A CONTROLLED DOCUMENT.		DWN DHEERAJ M 01AUG2023	 TE Connectivity	
DIMENSIONS: mm		CHK TRACY G 01AUG2023		
		APVD ALLAN P 01AUG2023		
TOLERANCES UNLESS OTHERWISE SPECIFIED:		PRODUCT SPEC	NAME HIGH POWER RESISTORS TYPE SQMB 10W SERIES	
0 PLC ±		APPLICATION SPEC	-	
1 PLC ±		WEIGHT	-	
2 PLC ±		CUSTOMER DRAWING	SIZE	A3
3 PLC ±			CAGE CODE	00779
4 PLC ±		DRAWING NO	©=2176633	RESTRICTED TO
ANGLES ±		SCALE	3:1	SHEET 2 OF 5
FINISH		REV	BA	

REVISIONS

P	LTR	DESCRIPTION	DATE	DWN	APVD
	-	SEE SHEET 1	-	-	-

SCHEDULE

TCPN	CATALOGUE NUMBER	PART DESCRIPTION	PART STATUS
3-2176633-1	SQMBW 1018RJ	SQMB10 18R (W IRE) 5%	PRODUCTION
3-2176633-2	SQMBW 1020RJ	SQMB10 20R (W IRE) 5%	PRODUCTION
3-2176633-3	SQMBW 1022RJ	SQMB10 22R (W IRE) 5%	PRODUCTION
3-2176633-4	SQMBW 1024RJ	SQMB10 24R (W IRE) 5%	PRODUCTION
3-2176633-5	SQMBW 1027RJ	SQMB10 27R (W IRE) 5%	PRODUCTION
3-2176633-6	SQMBW 1030RJ	SQMB10 30R (W IRE) 5%	PRODUCTION
3-2176633-7	SQMBW 1033RJ	SQMB10 33R (W IRE) 5%	PRODUCTION
3-2176633-8	SQMBW 1036RJ	SQMB10 36R (W IRE) 5%	PRODUCTION
3-2176633-9	SQMBW 1039RJ	SQMB10 39R (W IRE) 5%	PRODUCTION
4-2176633-0	SQMBW 1043RJ	SQMB10 43R (W IRE) 5%	PRODUCTION
4-2176633-1	SQMBW 1047RJ	SQMB10 47R (W IRE) 5%	PRODUCTION
4-2176633-2	SQMBW 1051RJ	SQMB10 51R (W IRE) 5%	PRODUCTION
4-2176633-3	SQMBW 1056RJ	SQMB10 56R (W IRE) 5%	PRODUCTION
4-2176633-4	SQMBW 1062RJ	SQMB10 62R (W IRE) 5%	PRODUCTION
4-2176633-5	SQMBW 1068RJ	SQMB10 68R (W IRE) 5%	PRODUCTION
4-2176633-6	SQMBW 1075RJ	SQMB10 75R (W IRE) 5%	PRODUCTION
4-2176633-7	SQMBW 1082RJ	SQMB10 82R (W IRE) 5%	PRODUCTION
4-2176633-8	SQMBW 1091RJ	SQMB10 91R (W IRE) 5%	PRODUCTION
4-2176633-9	SQMBW 10100RJ	SQMB10 100R (W IRE) 5%	PRODUCTION
5-2176633-0	SQMBW 10110RJ	SQMB10 110R (W IRE) 5%	PRODUCTION
5-2176633-1	SQMBW 10120RJ	SQMB10 120R (W IRE) 5%	PRODUCTION
5-2176633-2	SQMBW 10130RJ	SQMB10 130R (W IRE) 5%	PRODUCTION
5-2176633-3	SQMBW 10150RJ	SQMB10 150R (W IRE) 5%	PRODUCTION
5-2176633-4	SQMBW 10160RJ	SQMB10 160R (W IRE) 5%	PRODUCTION
5-2176633-5	SQMBW 10180RJ	SQMB10 180R (W IRE) 5%	PRODUCTION
5-2176633-6	SQMBW 10200RJ	SQMB10 200R (W IRE) 5%	PRODUCTION
5-2176633-7	SQMBW 10220RJ	SQMB10 220R (W IRE) 5%	PRODUCTION
5-2176633-8	SQMBW 10240RJ	SQMB10 240R (W IRE) 5%	PRODUCTION
5-2176633-9	SQMBW 10270RJ	SQMB10 270R (W IRE) 5%	PRODUCTION
6-2176633-0	SQMBW 10300RJ	SQMB10 300R (W IRE) 5%	PRODUCTION

THIS DRAWING IS A CONTROLLED DOCUMENT.		DWN DHEERAJ M 01AUG2023	 TE Connectivity	
DIMENSIONS: mm		CHK TRACY G 01AUG2023		
		APVD ALLAN P 01AUG2023		
TOLERANCES UNLESS OTHERWISE SPECIFIED:		PRODUCT SPEC	NAME HIGH POWER RESISTORS TYPE SQMB 10W SERIES	
0 PLC ±		APPLICATION SPEC	-	
1 PLC ±		WEIGHT	-	
2 PLC ±		CUSTOMER DRAWING	SIZE A3	RESTRICTED TO
3 PLC ±		SCALE 3:1	CAGE CODE 00779	DRAWING NO C=2176633
4 PLC ±		SHEET 3 OF 5	REV BA	
ANGLES ±				
FINISH				
MATERIAL				

REVISIONS

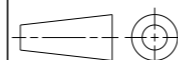
P	LTR	DESCRIPTION	DATE	DWN	APVD
-		SEE SHEET 1	-	-	-

SCHEDULE

TCPN	CATALOGUE NUMBER	PART DESCRIPTION	PART STATUS
6-2176633-1	SQMBW 10330RJ	SQMB10 330R (W IRE) 5%	PRODUCTION
6-2176633-2	SQMBW 10360RJ	SQMB10 360R (W IRE) 5%	PRODUCTION
6-2176633-3	SQMBW 10390RJ	SQMB10 390R (W IRE) 5%	PRODUCTION
6-2176633-4	SQMBW 10430RJ	SQMB10 430R (W IRE) 5%	PRODUCTION
6-2176633-5	SQMBW 10470RJ	SQMB10 470R (W IRE) 5%	PRODUCTION
6-2176633-6	SQMBW 10510RJ	SQMB10 510R (W IRE) 5%	PRODUCTION
6-2176633-7	SQMBW 10560RJ	SQMB10 560R (W IRE) 5%	PRODUCTION
6-2176633-8	SQMBW 10620RJ	SQMB10 620R (W IRE) 5%	PRODUCTION
6-2176633-9	SQMBW 10680RJ	SQMB10 680R (W IRE) 5%	PRODUCTION
7-2176633-0	SQMBW 10750RJ	SQMB10 750R (W IRE) 5%	PRODUCTION
7-2176633-1	SQMBW 10820RJ	SQMB10 820R (W IRE) 5%	PRODUCTION
7-2176633-2	SQMBW 10910RJ	SQMB10 910R (W IRE) 5%	PRODUCTION
7-2176633-3	SQMBW 101K0J	SQMB10 1K0 (W IRE) 5%	PRODUCTION
7-2176633-4	SQMBW 101K1J	SQMB10 1K1 (W IRE) 5%	PRODUCTION
7-2176633-5	SQMBW 101K2J	SQMB10 1K2 (W IRE) 5%	PRODUCTION
7-2176633-6	SQMBW 101K3J	SQMB10 1K3 (W IRE) 5%	PRODUCTION
7-2176633-7	SQMBW 101K5J	SQMB10 1K5 (W IRE) 5%	PRODUCTION
7-2176633-8	SQMBW 101K6J	SQMB10 1K6 (W IRE) 5%	PRODUCTION
7-2176633-9	SQMBW 101K8J	SQMB10 1K8 (W IRE) 5%	PRODUCTION
8-2176633-0	SQMBW 102K0J	SQMB10 2K0 (W IRE) 5%	PRODUCTION
8-2176633-1	SQMBW 102K2J	SQMB10 2K2 (W IRE) 5%	PRODUCTION
8-2176633-2	SQMBW 102K4J	SQMB10 2K4 (W IRE) 5%	PRODUCTION

THIS DRAWING IS A CONTROLLED DOCUMENT.

DIMENSIONS:
mm



MATERIAL

TOLERANCES UNLESS OTHERWISE SPECIFIED:

- 0 PLC ±
- 1 PLC ±
- 2 PLC ±
- 3 PLC ±
- 4 PLC ±
- ANGLES ±

FINISH

DWN DHEERAJ M 01AUG2023

CHK TRACY G 01AUG2023

APVD ALLAN P 01AUG2023

PRODUCT SPEC

APPLICATION SPEC

WEIGHT

CUSTOMER DRAWING



NAME
HIGH POWER RESISTORS
TYPE SQMB 10W SERIES

SIZE	CAGE CODE	DRAWING NO	RESTRICTED TO
------	-----------	------------	---------------

A3	00779	©=2176633	-
----	-------	-----------	---


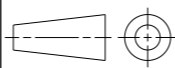
SCALE	SHEET	OF	REV
3:1	4	5	BA

REVISIONS

P	LTR	DESCRIPTION	DATE	DWN	APVD
-		SEE SHEET 1	-	-	-

SCHEDULE

TCPN	CATALOGUE NUMBER	PART DESCRIPTION	PART STATUS
8-2176633-5	SQM10W BR10J	SQMB10 R10 (W IRE) 5%	PRODUCTION
8-2176633-6	SQM10W BR11J	SQMB10 R11 (W IRE) 5%	PRODUCTION
8-2176633-7	SQM10W BR12J	SQMB10 R12 (W IRE) 5%	PRODUCTION
8-2176633-8	SQM10W BR13J	SQMB10 R13 (W IRE) 5%	PRODUCTION
8-2176633-9	SQM10W BR15J	SQMB10 R15 (W IRE) 5%	PRODUCTION
9-2176633-0	SQM10W BR16J	SQMB10 R16 (W IRE) 5%	PRODUCTION
9-2176633-1	SQM10W BR18J	SQMB10 R18 (W IRE) 5%	PRODUCTION
9-2176633-2	SQM10W BR20J	SQMB10 R20 (W IRE) 5%	PRODUCTION
9-2176633-3	SQM10W BR22J	SQMB10 R22 (W IRE) 5%	PRODUCTION
9-2176633-4	SQM10W BR24J	SQMB10 R24 (W IRE) 5%	PRODUCTION
9-2176633-5	SQM10W BR27J	SQMB10 R27 (W IRE) 5%	PRODUCTION
9-2176633-6	SQM10W BR30J	SQMB10 R30 (W IRE) 5%	PRODUCTION
9-2176633-7	SQM10W BR33J	SQMB10 R33 (W IRE) 5%	PRODUCTION
9-2176633-8	SQM10W BR36J	SQMB10 R36 (W IRE) 5%	PRODUCTION
9-2176633-9	SQM10W BR39J	SQMB10 R39 (W IRE) 5%	PRODUCTION
2176634-1	SQM10W BR43J	SQMB10 R43 (W IRE) 5%	PRODUCTION
2176634-2	SQM10W BR47J	SQMB10 R47 (W IRE) 5%	PRODUCTION
2176634-3	SQM10W BR51J	SQMB10 R51 (W IRE) 5%	PRODUCTION
2176634-4	SQM10W BR56J	SQMB10 R56 (W IRE) 5%	PRODUCTION
2176634-5	SQM10W BR62J	SQMB10 R62 (W IRE) 5%	PRODUCTION
2176634-6	SQM10W BR68J	SQMB10 R68 (W IRE) 5%	PRODUCTION
2176634-7	SQM10W BR75J	SQMB10 R75 (W IRE) 5%	PRODUCTION
2176634-8	SQM10W BR82J	SQMB10 R82 (W IRE) 5%	PRODUCTION
2176634-9	SQM10W BR91J	SQMB10 R91 (W IRE) 5%	PRODUCTION

THIS DRAWING IS A CONTROLLED DOCUMENT.		DWN DHEERAJ M 01AUG2023	 TE Connectivity
DIMENSIONS: mm		CHK TRACY G 01AUG2023	
		APVD ALLAN P 01AUG2023	
TOLERANCES UNLESS OTHERWISE SPECIFIED:		PRODUCT SPEC	NAME HIGH POWER RESISTORS TYPE SQMB 10W SERIES
0 PLC ±		APPLICATION SPEC	SIZE
1 PLC ±			CAGE CODE
2 PLC ±			DRAWING NO
3 PLC ±			RESTRICTED TO
4 PLC ±			
ANGLES ±		WEIGHT	
FINISH			
MATERIAL			
		CUSTOMER DRAWING	
		SCALE 3:1	SHEET 5 OF 5
		REV BA	