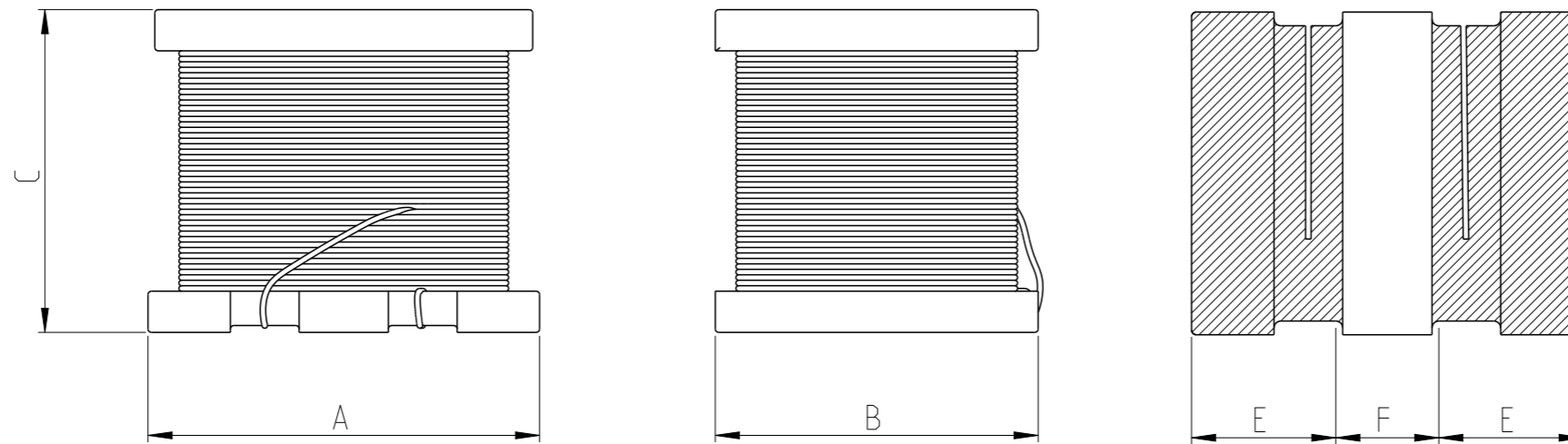


P	LTR	DESCRIPTION	DATE	DWN	APVD
	BA	NEW DRAWING RELEASE	18AUG2023	DM	AP

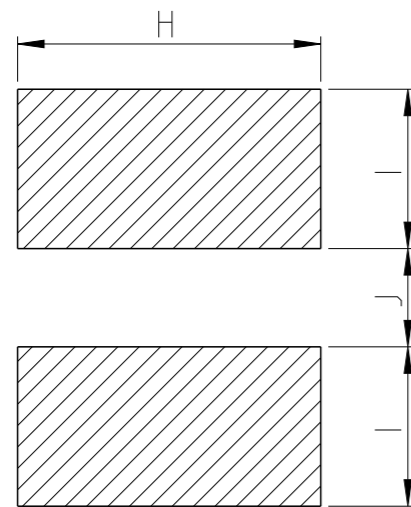
FOR FURTHER INFORMATION SEE DATA SHEET FOR
MINIATURE SMD POWER INDUCTOR TYPE 3627 SERIES



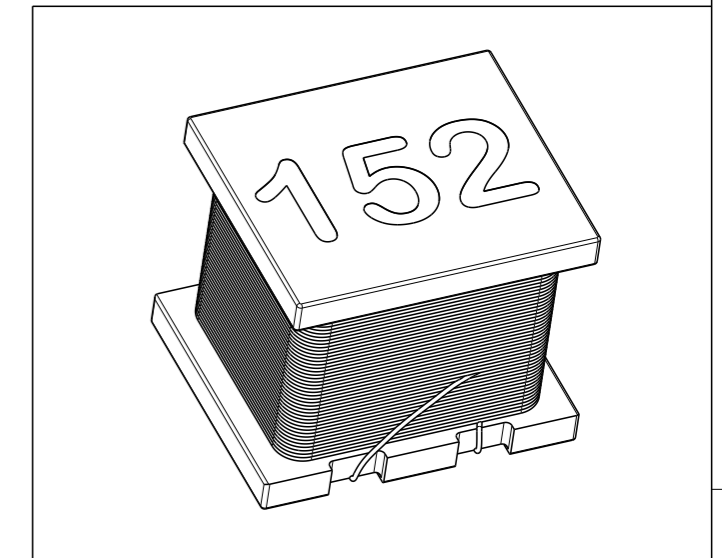
A	B	C	E	F
5.7±0.3	5.0±0.3	4.7±0.3	1.3 min.	1.7 min.

RoHS Compliant

RECOMMENDED LAND PATTERN



H	I	J
5.0	2.0	2.0



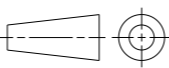
THIS DRAWING IS A CONTROLLED DOCUMENT.		DWN DHEERA J M 18AUG2023												
DIMENSIONS: mm		CHK TRACY G 18AUG2023												
TOLERANCES UNLESS OTHERWISE SPECIFIED:		APVD ALLAN P 18AUG2023												
<table border="1"> <tr> <td>0 PLC</td> <td>±</td> </tr> <tr> <td>1 PLC</td> <td>±</td> </tr> <tr> <td>2 PLC</td> <td>±</td> </tr> <tr> <td>3 PLC</td> <td>±</td> </tr> <tr> <td>4 PLC</td> <td>±</td> </tr> <tr> <td>ANGLES</td> <td>±</td> </tr> </table>		0 PLC			±	1 PLC	±	2 PLC	±	3 PLC	±	4 PLC	±	ANGLES
0 PLC	±													
1 PLC	±													
2 PLC	±													
3 PLC	±													
4 PLC	±													
ANGLES	±													
MATERIAL -		FINISH -	APPLICATION SPEC -	NAME MINIATURE SMD POWER INDUCTOR TYPE 3627 575047C SERIES										
		WEIGHT -	SIZE A3	CAGE CODE 00779										
		CUSTOMER DRAWING	DRAWING NO C=2176641-C	RESTRICTED TO -										
			SCALE 10:1	SHEET 1 OF 2										
				REV BA										

REVISIONS

SCHEDULE			
TCPN	CATALOGUE NUMBER	PART DESCRIPTION	PART STATUS
2176641-1	3627575047CR12M	3627C 575047 R12 20%	PRODUCTION
2176641-2	3627575047CR27M	3627C 575047 R27 20%	PRODUCTION
2176641-3	3627575047CR47M	3627C 575047 R47 20%	PRODUCTION
2176641-4	3627575047C1R0M	3627C 575047 1R0 20%	PRODUCTION
2176641-5	3627575047C1R5M	3627C 575047 1R5 20%	PRODUCTION
2176641-6	3627575047C2R2M	3627C 575047 2R2 20%	PRODUCTION
2176641-7	3627575047C3R3M	3627C 575047 3R3 20%	PRODUCTION
2176641-8	3627575047C4R7M	3627C 575047 4R7 20%	PRODUCTION
2176641-9	3627575047C6R8M	3627C 575047 6R8 20%	PRODUCTION
1-2176641-0	3627575047C100K	3627C 575047 10UH 10%	PRODUCTION
1-2176641-1	3627575047C100K-1	3627C 575047 10UH 10% S1	PRODUCTION
1-2176641-2	3627575047C150K	3627C 575047 15UH 10%	PRODUCTION
1-2176641-3	3627575047C220K	3627C 575047 22UH 10%	PRODUCTION
1-2176641-4	3627575047C270K	3627C 575047 27UH 10%	PRODUCTION
1-2176641-5	3627575047C330K	3627C 575047 33UH 10%	PRODUCTION
1-2176641-6	3627575047C470K	3627C 575047 47UH 10%	PRODUCTION
1-2176641-7	3627575047C680K	3627C 575047 68UH 10%	PRODUCTION
1-2176641-8	3627575047C101K	3627C 575047 100UH 10%	PRODUCTION
1-2176641-9	3627575047C151K	3627C 575047 150UH 10%	PRODUCTION
2-2176641-0	3627575047C221K	3627C 575047 220UH 10%	PRODUCTION
2-2176641-1	3627575047C331K	3627C 575047 330UH 10%	PRODUCTION
2-2176641-2	3627575047C471K	3627C 575047 470UH 10%	PRODUCTION
2-2176641-3	3627575047C681K	3627C 575047 680UH 10%	PRODUCTION
2-2176641-4	3627575047C102K	3627C 575047 1000UH 10%	PRODUCTION
2-2176641-5	3627575047C222K	3627C 575047 2200UH 10%	PRODUCTION
2-2176641-6	3627575047C472K	3627C 575047 4700UH 10%	PRODUCTION
2-2176641-7	3627575047C472M-1	3627C 575047 4700UH 20% S1	PRODUCTION
2-2176641-8	3627575047C103K	3627C 575047 10000UH 10%	PRODUCTION

P	LTR	DESCRIPTION	DATE	DWN	APVD
	-	SEE SHEET 1	-	-	-

THIS DRAWING IS A CONTROLLED DOCUMENT.

DIMENSIONS: mm	TOLERANCES UNLESS OTHERWISE SPECIFIED:
	0 PLC ± 1 PLC ± 2 PLC ± 3 PLC ± 4 PLC ± ANGLES ±
MATERIAL	FINISH
-	-
-	-

DWN	DHEERAJ M	18AUG2023
CHK	TRACY G	18AUG2023
APVD	ALLAN P	18AUG2023
PRODUCT SPEC	-	
APPLICATION SPEC	-	
WEIGHT	-	
CUSTOMER DRAWING		

STE TE Connectivity

NAME: MINIATURE SMD POWER INDUCTOR
TYPE 3627 575047C SERIES

SIZE	CAGE CODE	DRAWING NO	RESTRICTED TO
A3	00779	©=2176641-C	-

SCALE 10:1 SHEET 2 OF 2 REV BA