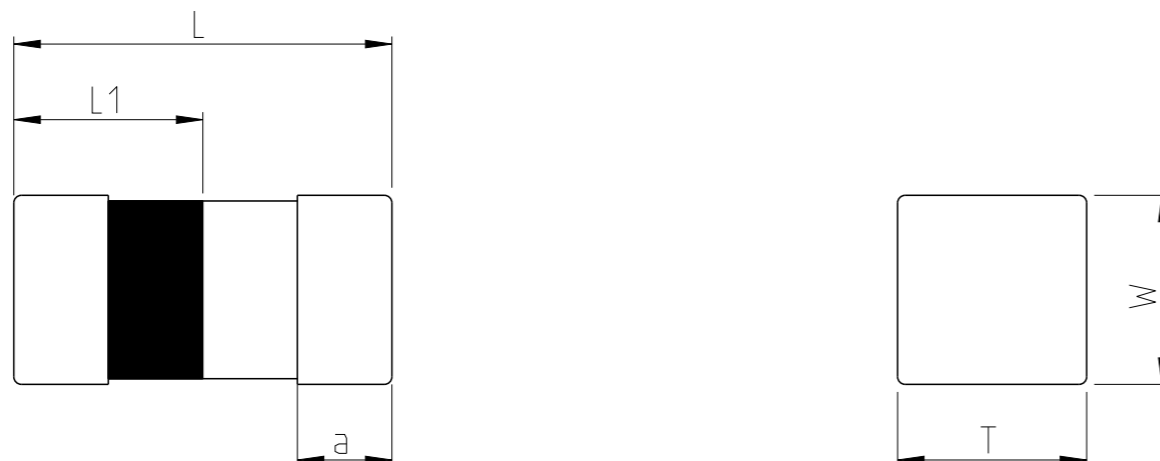


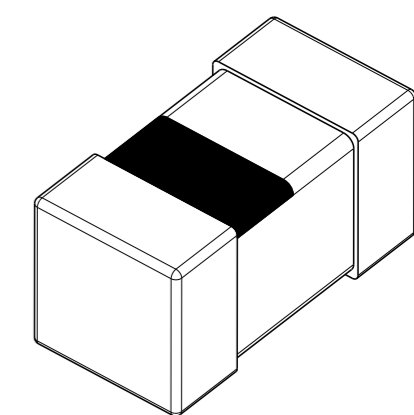
REVISIONS

P	LTR	DESCRIPTION	DATE	DWN	APVD
	BA	INITIAL DRAWING RELEASE	11APR2024	DM	AP


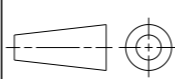
FOR FURTHER DETAILS PLEASE REFER TO AUTOMOTIVE GRADE MULTILAYER CHIP INDUCTOR TYPE 3655 SERIES



RoHS Compliant



TYPE	SIZE	L	W	T	a	L1
	(Inch)	(mm)	(mm)	(mm)	(mm)	(mm)
3655	0402	1.00±0.15	0.50±0.15	0.50±0.15	0.25±0.10	0.50±0.15

THIS DRAWING IS A CONTROLLED DOCUMENT.		DWN DHEERAJ M 11APR2024	 TE Connectivity	
DIMENSIONS: mm		CHK SHANTIKIRAN S 11APR2024		
TOLERANCES UNLESS OTHERWISE SPECIFIED:		APVD ALLAN P 11APR2024		
		PRODUCT SPEC -	NAME AUTOMOTIVE GRADE MULTILAYER CHIP INDUCTOR TYPE 3655 0402 SERIES	
MATERIAL -		FINISH -	APPLICATION SPEC -	RESTRICTED TO -
-		WEIGHT -	SIZE A3	CAGE CODE 00779
-		CUSTOMER DRAWING	DRAWING NO C=2176737	SCALE 50:1
			SHEET 1 OF 3	REV BA

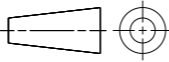
REVISIONS

P	LTR	DESCRIPTION	DATE	DWN	APVD
-		SEE SHEET 1	-	-	-

SCHEDULE

TCPN	CATALOGUE NUMBER	PART DESCRIPTION	PART STATUS
2176737-1	36550402S1N0T	3655 0402 1N0 +/- 0.3NH T&R	PRODUCTION
2176737-2	36550402S1N1T	3655 0402 1N1 +/- 0.3NH T&R	PRODUCTION
2176737-3	36550402S1N2T	3655 0402 1N2 +/- 0.3NH T&R	PRODUCTION
2176737-4	36550402S1N3T	3655 0402 1N3 +/- 0.3NH T&R	PRODUCTION
2176737-5	36550402S1N5T	3655 0402 1N5 +/- 0.3NH T&R	PRODUCTION
2176737-6	36550402S1N6T	3655 0402 1N6 +/- 0.3NH T&R	PRODUCTION
2176737-7	36550402S1N8T	3655 0402 1N8 +/- 0.3NH T&R	PRODUCTION
2176737-8	36550402S2N0T	3655 0402 2N0 +/- 0.3NH T&R	PRODUCTION
2176737-9	36550402S2N2T	3655 0402 2N2 +/- 0.3NH T&R	PRODUCTION
1-2176737-0	36550402S2N4T	3655 0402 2N4 +/- 0.3NH T&R	PRODUCTION
1-2176737-1	36550402S2N7T	3655 0402 2N7 +/- 0.3NH T&R	PRODUCTION
1-2176737-2	36550402S3N0T	3655 0402 3N0 +/- 0.3NH T&R	PRODUCTION
1-2176737-3	36550402S3N3T	3655 0402 3N3 +/- 0.3NH T&R	PRODUCTION
1-2176737-4	36550402S3N6T	3655 0402 3N6 +/- 0.3NH T&R	PRODUCTION
1-2176737-5	36550402S3N9T	3655 0402 3N9 +/- 0.3NH T&R	PRODUCTION
1-2176737-6	36550402S4N3T	3655 0402 4N3 +/- 0.3NH T&R	PRODUCTION
1-2176737-7	36550402S4N7T	3655 0402 4N7 +/- 0.3NH T&R	PRODUCTION
1-2176737-8	36550402S5N1T	3655 0402 5N1 +/- 0.3NH T&R	PRODUCTION
1-2176737-9	36550402S5N6T	3655 0402 5N6 +/- 0.3NH T&R	PRODUCTION
2-2176737-0	36550402S6N2T	3655 0402 6N2 +/- 0.3NH T&R	PRODUCTION
2-2176737-1	36550402J6N8T	3655 0402 6N8 5% T&R	PRODUCTION
2-2176737-2	36550402J7N5T	3655 0402 7N5 5% T&R	PRODUCTION
2-2176737-3	36550402J8N2T	3655 0402 8N2 5% T&R	PRODUCTION

THIS DRAWING IS A CONTROLLED DOCUMENT.

DIMENSIONS: mm	TOLERANCES UNLESS OTHERWISE SPECIFIED:
	0 PLC ± 1 PLC ± 2 PLC ± 3 PLC ± 4 PLC ± ANGLES ±
MATERIAL	FINISH
-	-

DWN	11APR2024
DHEERAJ M	
CHK	11APR2024
SHANTIKIRAN S	
APVD	11APR2024
ALLAN P	
PRODUCT SPEC	-
APPLICATION SPEC	-
WEIGHT	-
CUSTOMER DRAWING	



NAME			
AUTOMOTIVE GRADE MULTILAYER CHIP INDUCTOR TYPE 3655 0402 SERIES			
SIZE	CAGE CODE	DRAWING NO	RESTRICTED TO
A3	00779	©=2176737	-
SCALE		SHEET	REV
50:1		2 OF 3	BA

REVISIONS

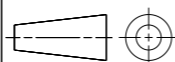
P	LTR	DESCRIPTION	DATE	DWN	APVD
-		SEE SHEET 1	-	-	-

SCHEDULE

TCPN	CATALOGUE NUMBER	PART DESCRIPTION	PART STATUS
2-2176737-4	36550402J9N1T	3655 0402 9N1 5% T&R	PRODUCTION
2-2176737-5	36550402J10NT	3655 0402 10N 5% T&R	PRODUCTION
2-2176737-6	36550402J12NT	3655 0402 12N 5% T&R	PRODUCTION
2-2176737-7	36550402J15NT	3655 0402 15N 5% T&R	PRODUCTION
2-2176737-8	36550402J18NT	3655 0402 18N 5% T&R	PRODUCTION
2-2176737-9	36550402J20NT	3655 0402 20N 5% T&R	PRODUCTION
3-2176737-0	36550402J22NT	3655 0402 22N 5% T&R	PRODUCTION
3-2176737-1	36550402J27NT	3655 0402 27N 5% T&R	PRODUCTION
3-2176737-2	36550402J33NT	3655 0402 33N 5% T&R	PRODUCTION
3-2176737-3	36550402J39NT	3655 0402 39N 5% T&R	PRODUCTION
3-2176737-4	36550402J43NT	3655 0402 43N 5% T&R	PRODUCTION
3-2176737-5	36550402J47NT	3655 0402 47N 5% T&R	PRODUCTION
3-2176737-6	36550402J56NT	3655 0402 56N 5% T&R	PRODUCTION
3-2176737-7	36550402J68NT	3655 0402 68N 5% T&R	PRODUCTION
3-2176737-8	36550402J82NT	3655 0402 82N 5% T&R	PRODUCTION
3-2176737-9	36550402JR10T	3655 0402 R10 5% T&R	PRODUCTION
4-2176737-0	36550402JR12T	3655 0402 R12 5% T&R	PRODUCTION
4-2176737-1	36550402JR15T	3655 0402 R15 5% T&R	PRODUCTION
4-2176737-2	36550402JR18T	3655 0402 R18 5% T&R	PRODUCTION
4-2176737-3	36550402JR22T	3655 0402 R22 5% T&R	PRODUCTION
4-2176737-4	36550402JR27T	3655 0402 R27 5% T&R	PRODUCTION
4-2176737-5	36550402JR33T	3655 0402 R33 5% T&R	PRODUCTION
4-2176737-6	36550402JR36T	3655 0402 R36 5% T&R	PRODUCTION

THIS DRAWING IS A CONTROLLED DOCUMENT.

DIMENSIONS:
mm



MATERIAL

TOLERANCES UNLESS OTHERWISE SPECIFIED:

- 0 PLC ±
- 1 PLC ±
- 2 PLC ±
- 3 PLC ±
- 4 PLC ±
- ANGLES ±
- FINISH -

DWN 11APR2024
DHEERAJ M
CHK 11APR2024
SHANTIKIRAN S
APVD 11APR2024
ALLAN P

PRODUCT SPEC -
APPLICATION SPEC -
WEIGHT -

CUSTOMER DRAWING



TE Connectivity

AUTOMOTIVE GRADE MULTILAYER CHIP
INDUCTOR TYPE 3655 0402 SERIES

SIZE CAGE CODE DRAWING NO RESTRICTED TO

A3 00779 C=2176737 -

SCALE 50:1 SHEET 3 OF 3 REV BA