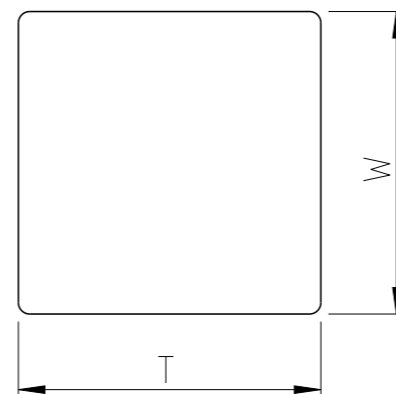
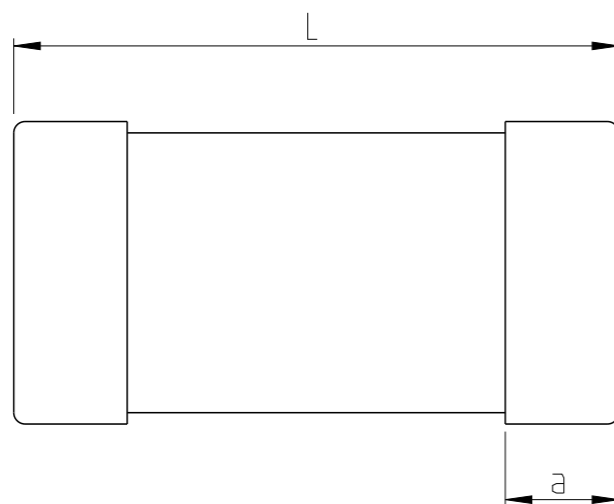


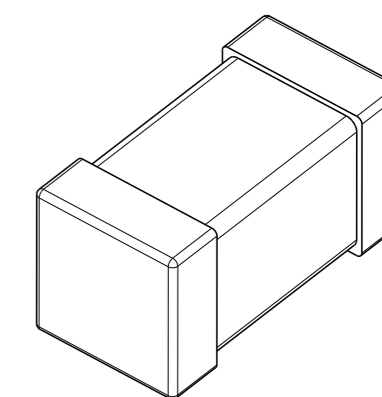
REVISIONS

P	LTR	DESCRIPTION	DATE	DWN	APVD
	BA	INITIAL DRAWING RELEASE	11APR2024	DM	AP


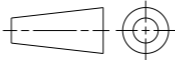
FOR FURTHER DETAILS PLEASE REFER TO AUTOMOTIVE GRADE MULTILAYER CHIP INDUCTOR TYPE 3655 SERIES



RoHS Compliant



TYPE	SIZE	L	W	T	a
	(Inch)	(mm)	(mm)	(mm)	(mm)
3655	0603	1.60±0.20	0.80±0.20	0.80±0.20	0.30±0.20

THIS DRAWING IS A CONTROLLED DOCUMENT.		DWN DHEERAJ M 11APR2024	 TE Connectivity		
DIMENSIONS: mm		CHK SHANTIKIRAN S 11APR2024			
TOLERANCES UNLESS OTHERWISE SPECIFIED:		APVD ALLAN P 11APR2024	NAME AUTOMOTIVE GRADE MULTILAYER CHIP INDUCTOR TYPE 3655 0603 SERIES		
		PRODUCT SPEC -	APPLICATION SPEC -		
MATERIAL -		FINISH -	WEIGHT -	SIZE A3	CAGE CODE 00779
				DRAWING NO C=2176738	RESTRICTED TO -
CUSTOMER DRAWING			SCALE 50:1	SHEET 1 OF 3	REV BA

REVISIONS

P	LTR	DESCRIPTION	DATE	DWN	APVD
-		SEE SHEET 1	-	-	-

SCHEDULE

TCPN	CATALOGUE NUMBER	PART DESCRIPTION	PART STATUS
2176738-1	36550603S1N0T	3655 0603 1N0 +/- 0.3NH T&R	PRODUCTION
2176738-2	36550603S1N2T	3655 0603 1N2 +/- 0.3NH T&R	PRODUCTION
2176738-3	36550603S1N5T	3655 0603 1N5 +/- 0.3NH T&R	PRODUCTION
2176738-4	36550603S1N8T	3655 0603 1N8 +/- 0.3NH T&R	PRODUCTION
2176738-5	36550603S2N0T	3655 0603 2N0 +/- 0.3NH T&R	PRODUCTION
2176738-6	36550603S2N2T	3655 0603 2N2 +/- 0.3NH T&R	PRODUCTION
2176738-7	36550603S2N4T	3655 0603 2N4 +/- 0.3NH T&R	PRODUCTION
2176738-8	36550603S2N7T	3655 0603 2N7 +/- 0.3NH T&R	PRODUCTION
2176738-9	36550603S3N3T	3655 0603 3N3 +/- 0.3NH T&R	PRODUCTION
1-2176738-0	36550603S3N6T	3655 0603 3N6 +/- 0.3NH T&R	PRODUCTION
1-2176738-1	36550603S3N9T	3655 0603 3N9 +/- 0.3NH T&R	PRODUCTION
1-2176738-2	36550603S4N3T	3655 0603 4N3 +/- 0.3NH T&R	PRODUCTION
1-2176738-3	36550603S4N7T	3655 0603 4N7 +/- 0.3NH T&R	PRODUCTION
1-2176738-4	36550603S5N1T	3655 0603 5N1 +/- 0.3NH T&R	PRODUCTION
1-2176738-5	36550603S5N6T	3655 0603 5N6 +/- 0.3NH T&R	PRODUCTION
1-2176738-6	36550603J6N8T	3655 0603 6N8 5% T&R	PRODUCTION
1-2176738-7	36550603J7N5T	3655 0603 7N5 5% T&R	PRODUCTION
1-2176738-8	36550603J8N2T	3655 0603 8N2 5% T&R	PRODUCTION
1-2176738-9	36550603J9N1T	3655 0603 9N1 5% T&R	PRODUCTION
2-2176738-0	36550603J10NT	3655 0603 10N 5% T&R	PRODUCTION
2-2176738-1	36550603J12NT	3655 0603 12N 5% T&R	PRODUCTION
2-2176738-2	36550603J15NT	3655 0603 15N 5% T&R	PRODUCTION
2-2176738-3	36550603J18NT	3655 0603 18N 5% T&R	PRODUCTION
2-2176738-4	36550603J22NT	3655 0603 22N 5% T&R	PRODUCTION
2-2176738-5	36550603J27NT	3655 0603 27N 5% T&R	PRODUCTION

THIS DRAWING IS A CONTROLLED DOCUMENT.

DIMENSIONS: mm		TOLERANCES UNLESS OTHERWISE SPECIFIED:	
		0 PLC ±	±
		1 PLC ±	±
		2 PLC ±	±
		3 PLC ±	±
		4 PLC ±	±
		ANGLES ±	±
MATERIAL		FINISH	
-		-	
-		-	

DWN	11APR2024
DHEERAJ M	
CHK	11APR2024
SHANTIKIRAN S	
APVD	11APR2024
ALLAN P	
PRODUCT SPEC	-
APPLICATION SPEC	-
WEIGHT	-
CUSTOMER DRAWING	

		NAME		RESTRICTED TO	
		AUTOMOTIVE GRADE MULTILAYER CHIP INDUCTOR TYPE 3655 0603 SERIES			
SIZE	CAGE CODE	DRAWING NO			
A3	00779	©=2176738			
SCALE		SHEET	REV		
50:1		2 OF 3	BA		

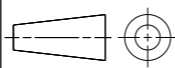
REVISIONS

P	LTR	DESCRIPTION	DATE	DWN	APVD
-		SEE SHEET 1	-	-	-

SCHEDULE

TCPN	CATALOGUE NUMBER	PART DESCRIPTION	PART STATUS
2-2176738-6	36550603J33NT	3655 0603 33N 5% T&R	PRODUCTION
2-2176738-7	36550603J39NT	3655 0603 39N 5% T&R	PRODUCTION
2-2176738-8	36550603J47NT	3655 0603 47N 5% T&R	PRODUCTION
2-2176738-9	36550603J56NT	3655 0603 56N 5% T&R	PRODUCTION
3-2176738-0	36550603J68NT	3655 0603 68N 5% T&R	PRODUCTION
3-2176738-1	36550603J82NT	3655 0603 82N 5% T&R	PRODUCTION
3-2176738-2	36550603JR10T	3655 0603 R10 5% T&R	PRODUCTION
3-2176738-3	36550603JR12T	3655 0603 R12 5% T&R	PRODUCTION
3-2176738-4	36550603JR15T	3655 0603 R15 5% T&R	PRODUCTION
3-2176738-5	36550603JR18T	3655 0603 R18 5% T&R	PRODUCTION
3-2176738-6	36550603JR22T	3655 0603 R22 5% T&R	PRODUCTION
3-2176738-7	36550603JR27T	3655 0603 R27 5% T&R	PRODUCTION
3-2176738-8	36550603JR33T	3655 0603 R33 5% T&R	PRODUCTION
3-2176738-9	36550603JR39T	3655 0603 R39 5% T&R	PRODUCTION
4-2176738-0	36550603JR43T	3655 0603 R43 5% T&R	PRODUCTION
4-2176738-1	36550603JR47T	3655 0603 R47 5% T&R	PRODUCTION

THIS DRAWING IS A CONTROLLED DOCUMENT.

DIMENSIONS: mm	TOLERANCES UNLESS OTHERWISE SPECIFIED:
	0 PLC ± 1 PLC ± 2 PLC ± 3 PLC ± 4 PLC ± ANGLES ±
MATERIAL -	FINISH -

DWN DHEERAJ M 11APR2024	 TE Connectivity
CHK SHANTIKIRAN S 11APR2024	
APVD ALLAN P 11APR2024	
PRODUCT SPEC -	NAME AUTOMOTIVE GRADE MULTILAYER CHIP INDUCTOR TYPE 3655 0603 SERIES
APPLICATION SPEC -	SIZE A3
WEIGHT -	CAGE CODE 00779
CUSTOMER DRAWING	DRAWING NO C=2176738
	RESTRICTED TO -
	SCALE 50:1
	SHEET 3 OF 3
	REV BA