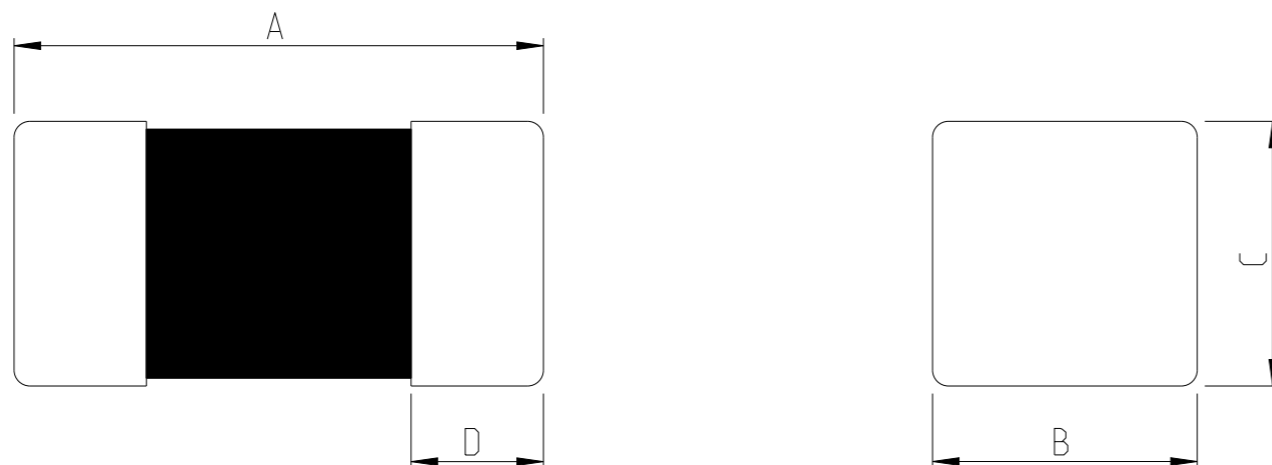


REVISIONS

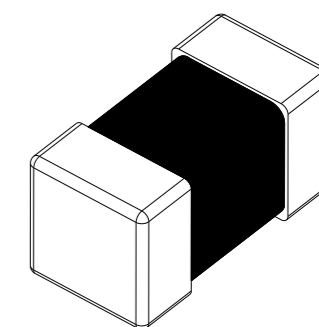
P	LTR	DESCRIPTION	DATE	DWN	APVD
	BA	INITIAL DRAWING RELEASE	24MAY2024	DM	AP

FOR FURTHER DETAILS PLEASE REFER TO AUTOMOTIVE GRADE MULTILAYER CHIP BEADS TYPE BMC-Q HIGH CURRENT SERIES



TYPE	SIZE	A	B	C	D
	(Inch)	(mm)	(mm)	(mm)	(mm)
BMC-Q	0402	1.00 ±0.15	0.50 ±0.15	0.50 ±0.15	0.25 ±0.10

RoHS Compliant



THIS DRAWING IS A CONTROLLED DOCUMENT.

DWN 24MAY2024
DHEERAJ M
CHK 24MAY2024
SHANTIKIRAN S
APVD 24MAY2024
ALLAN P



DIMENSIONS:	TOLERANCES UNLESS OTHERWISE SPECIFIED:
mm	
	0 PLC ± 1 PLC ± 2 PLC ± 3 PLC ± 4 PLC ± ANGLES ±
MATERIAL	FINISH
-	-
-	-

PRODUCT SPEC -
APPLICATION SPEC -
WEIGHT -
CUSTOMER DRAWING

NAME				RESTRICTED TO
AUTOMOTIVE GRADE MULTILAYER CHIP BEADS TYPE BMC-Q 0402 HIGH CURRENT SERIES				-
SIZE	CAGE CODE	DRAWING NO	RESTRICTED TO	
A3	00779	C=2176742	-	
SCALE		SHEET	OF	REV
70:1		1	2	BA

REVISIONS

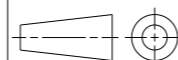
P	LTR	DESCRIPTION	DATE	DWN	APVD
-		SEE SHEET 1	-	-	-

SCHEDULE

TCPN	CATALOGUE NUMBER	PART DESCRIPTION	PART STATUS
2176742-1	BMC-Q1E0000H	BMC-Q 0402 ZR 0~15R TOL. HIGH CURRENT	PRODUCTION
2176742-2	BMC-Q1E0005H	BMC-Q 0402 5R0 0~15R TOL. HIGH CURRENT	PRODUCTION
2176742-3	BMC-Q1E0007H	BMC-Q 0402 7R0 0~11RTOL. HIGH CURRENT	PRODUCTION
2176742-4	BMC-Q1E0009H	BMC-Q 0402 9R0 5~13R TOL. HIGH CURRENT	PRODUCTION
2176742-5	BMC-Q1E0011H	BMC-Q 0402 11R 7~15R TOL. HIGH CURRENT	PRODUCTION
2176742-6	BMC-Q1E0015H	BMC-Q 0402 15R 9~21R TOL. HIGH CURRENT	PRODUCTION
2176742-7	BMC-Q1E0019H	BMC-Q 0402 19R 12~25R TOL. HIGH CURRENT	PRODUCTION
2176742-8	BMC-Q1EY0026H	BMC-Q 0402 26R 25% TOL. HIGH CURRENT	PRODUCTION
2176742-9	BMC-Q1EY0031H	BMC-Q 0402 31R 25% TOL. HIGH CURRENT	PRODUCTION
1-2176742-0	BMC-Q1EY0036H	BMC-Q 0402 36R 25% TOL. HIGH CURRENT	PRODUCTION
1-2176742-1	BMC-Q1EY0050H	BMC-Q 0402 50R 25% TOL. HIGH CURRENT	PRODUCTION
1-2176742-2	BMC-Q1EY0060H	BMC-Q 0402 60R 25% TOL. HIGH CURRENT	PRODUCTION
1-2176742-3	BMC-Q1EY0070H	BMC-Q 0402 70R 25% TOL. HIGH CURRENT	PRODUCTION
1-2176742-4	BMC-Q1EY0075H	BMC-Q 0402 75R 25% TOL. HIGH CURRENT	PRODUCTION
1-2176742-5	BMC-Q1EY0080H	BMC-Q 0402 80R 25% TOL. HIGH CURRENT	PRODUCTION
1-2176742-6	BMC-Q1EY0100H	BMC-Q 0402 100R 25% TOL. HIGH CURRENT	PRODUCTION
1-2176742-7	BMC-Q1EY0120H	BMC-Q 0402 120R 25% TOL. HIGH CURRENT	PRODUCTION
1-2176742-8	BMC-Q1EY0150H	BMC-Q 0402 150R 25% TOL. HIGH CURRENT	PRODUCTION
1-2176742-9	BMC-Q1EY0180H	BMC-Q 0402 180R 25% TOL. HIGH CURRENT	PRODUCTION
2-2176742-0	BMC-Q1EY0220H	BMC-Q 0402 220R 25% TOL. HIGH CURRENT	PRODUCTION
2-2176742-1	BMC-Q1EY0300H	BMC-Q 0402 300R 25% TOL. HIGH CURRENT	PRODUCTION
2-2176742-2	BMC-Q1EY0500H	BMC-Q 0402 500R 25% TOL. HIGH CURRENT	PRODUCTION
2-2176742-3	BMC-Q1EY0600H	BMC-Q 0402 600R 25% TOL. HIGH CURRENT	PRODUCTION
2-2176742-4	BMC-Q1EY0800H	BMC-Q 0402 800R 25% TOL. HIGH CURRENT	PRODUCTION
2-2176742-5	BMC-Q1EY1000H	BMC-Q 0402 1K0 25% TOL. HIGH CURRENT	PRODUCTION

THIS DRAWING IS A CONTROLLED DOCUMENT.

DIMENSIONS:
mm



MATERIAL

TOLERANCES UNLESS OTHERWISE SPECIFIED:

- 0 PLC ±
- 1 PLC ±
- 2 PLC ±
- 3 PLC ±
- 4 PLC ±
- ANGLES ±
- FINISH -

DWN 24MAY2024

CHK 24MAY2024

APVD 24MAY2024

ALLAN P

PRODUCT SPEC

APPLICATION SPEC

WEIGHT -

CUSTOMER DRAWING



TE Connectivity

NAME
AUTOMOTIVE GRADE MULTILAYER CHIP BEADS TYPE BMC-Q 0402 HIGH CURRENT SERIES

SIZE CAGE CODE DRAWING NO RESTRICTED TO

A3 00779 C=2176742

SCALE 50:1 SHEET 2 OF 2 REV BA