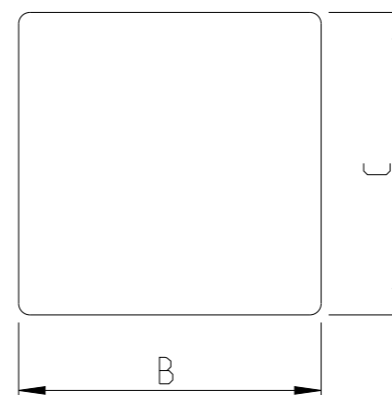
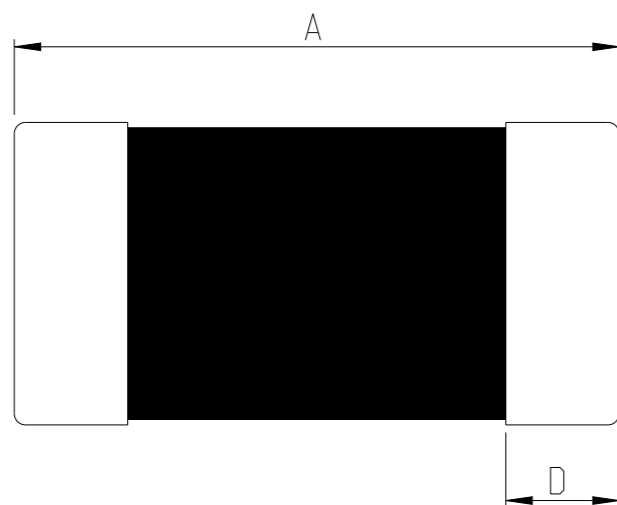


REVISIONS

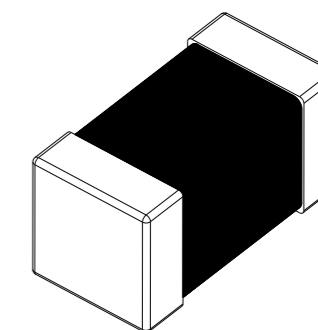
P	LTR	DESCRIPTION	DATE	DWN	APVD
	BA	INITIAL DRAWING RELEASE	24MAY2024	DM	AP

FOR FURTHER DETAILS PLEASE REFER TO AUTOMOTIVE GRADE MULTILAYER CHIP BEADS TYPE BMC-Q HIGH CURRENT SERIES



TYPE	SIZE	A	B	C	D
	(Inch)	(mm)	(mm)	(mm)	(mm)
BMC-Q	0603	1.60±0.20	0.80±0.20	0.80±0.20	0.30±0.20

RoHS Compliant



THIS DRAWING IS A CONTROLLED DOCUMENT.

DWN 24MAY2024  
DHEERAJ M  
CHK 24MAY2024  
SHANTIKIRAN S  
APVD 24MAY2024  
ALLAN P



DIMENSIONS:	TOLERANCES UNLESS OTHERWISE SPECIFIED:
mm	
	0 PLC ±
	1 PLC ±
	2 PLC ±
	3 PLC ±
	4 PLC ±
	ANGLES ±
MATERIAL	FINISH
-	-
-	-

PRODUCT SPEC -  
APPLICATION SPEC -  
WEIGHT -  
CUSTOMER DRAWING


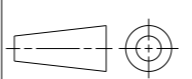
NAME AUTOMOTIVE GRADE MULTILAYER CHIP BEADS TYPE BMC-Q 0603 HIGH CURRENT SERIES  
SIZE A3 CAGE CODE 00779 DRAWING NO C-2176743 RESTRICTED TO -  
SCALE 50:1 SHEET 1 OF 2 REV BA

REVISIONS

P	LTR	DESCRIPTION	DATE	DWN	APVD
-		SEE SHEET 1	-	-	-

SCHEDULE

TCPN	CATALOGUE NUMBER	PART DESCRIPTION	PART STATUS
2176743-1	BMC-Q1J0000H	BMC-Q 0603 ZR 0~15R TOL. HIGH CURRENT	PRODUCTION
2176743-2	BMC-Q1J0005H	BMC-Q 0603 5R0 0~15R TOL. HIGH CURRENT	PRODUCTION
2176743-3	BMC-Q1J0007H	BMC-Q 0603 7R0 0~11RTOL. HIGH CURRENT	PRODUCTION
2176743-4	BMC-Q1J0009H	BMC-Q 0603 9R0 5~13R TOL. HIGH CURRENT	PRODUCTION
2176743-5	BMC-Q1J0011H	BMC-Q 0603 11R 7~15R TOL. HIGH CURRENT	PRODUCTION
2176743-6	BMC-Q1J0015H	BMC-Q 0603 15R 9~21R TOL. HIGH CURRENT	PRODUCTION
2176743-7	BMC-Q1J0019H	BMC-Q 0603 19R 12~25R TOL. HIGH CURRENT	PRODUCTION
2176743-8	BMC-Q1JY0026H	BMC-Q 0603 26R 25% TOL. HIGH CURRENT	PRODUCTION
2176743-9	BMC-Q1JY0030H	BMC-Q 0603 30R 25% TOL. HIGH CURRENT	PRODUCTION
1-2176743-0	BMC-Q1JY0031H	BMC-Q 0603 31R 25% TOL. HIGH CURRENT	PRODUCTION
1-2176743-1	BMC-Q1JY0050H	BMC-Q 0603 50R 25% TOL. HIGH CURRENT	PRODUCTION
1-2176743-2	BMC-Q1JY0060H	BMC-Q 0603 60R 25% TOL. HIGH CURRENT	PRODUCTION
1-2176743-3	BMC-Q1JY0070H	BMC-Q 0603 70R 25% TOL. HIGH CURRENT	PRODUCTION
1-2176743-4	BMC-Q1JY0080H	BMC-Q 0603 80R 25% TOL. HIGH CURRENT	PRODUCTION
1-2176743-5	BMC-Q1JY0100H	BMC-Q 0603 100R 25% TOL. HIGH CURRENT	PRODUCTION
1-2176743-6	BMC-Q1JY0120H	BMC-Q 0603 120R 25% TOL. HIGH CURRENT	PRODUCTION
1-2176743-7	BMC-Q1JY0150H	BMC-Q 0603 150R 25% TOL. HIGH CURRENT	PRODUCTION
1-2176743-8	BMC-Q1JY0180H	BMC-Q 0603 180R 25% TOL. HIGH CURRENT	PRODUCTION
1-2176743-9	BMC-Q1JY0220H	BMC-Q 0603 220R 25% TOL. HIGH CURRENT	PRODUCTION
2-2176743-0	BMC-Q1JY0300H	BMC-Q 0603 300R 25% TOL. HIGH CURRENT	PRODUCTION
2-2176743-1	BMC-Q1JY0500H	BMC-Q 0603 500R 25% TOL. HIGH CURRENT	PRODUCTION
2-2176743-2	BMC-Q1JY0600H	BMC-Q 0603 600R 25% TOL. HIGH CURRENT	PRODUCTION
2-2176743-3	BMC-Q1JY0800H	BMC-Q 0603 800R 25% TOL. HIGH CURRENT	PRODUCTION
2-2176743-4	BMC-Q1JY1000H	BMC-Q 0603 1K0 25% TOL. HIGH CURRENT	PRODUCTION

THIS DRAWING IS A CONTROLLED DOCUMENT.		DWN DHEERAJ M 24MAY2024	 TE Connectivity	
DIMENSIONS: mm		CHK SHANTIKIRAN S 24MAY2024		
TOLERANCES UNLESS OTHERWISE SPECIFIED:		APVD ALLAN P 24MAY2024	NAME AUTOMOTIVE GRADE MULTILAYER CHIP BEADS TYPE BMC-Q 0603 HIGH CURRENT SERIES	
		PRODUCT SPEC -	RESTRICTED TO -	
MATERIAL -		FINISH -	APPLICATION SPEC -	SIZE A3
		WEIGHT -	CAGE CODE 00779	DRAWING NO C=2176743
CUSTOMER DRAWING			SCALE 50:1	SHEET 2 OF 2
			REV BA	