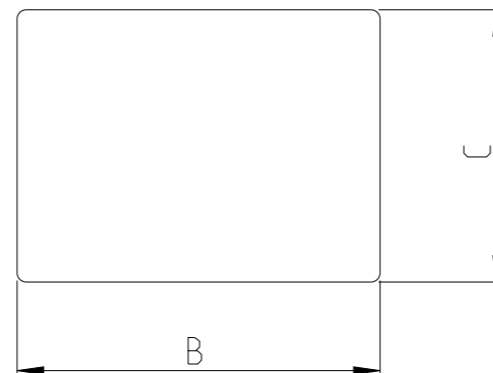
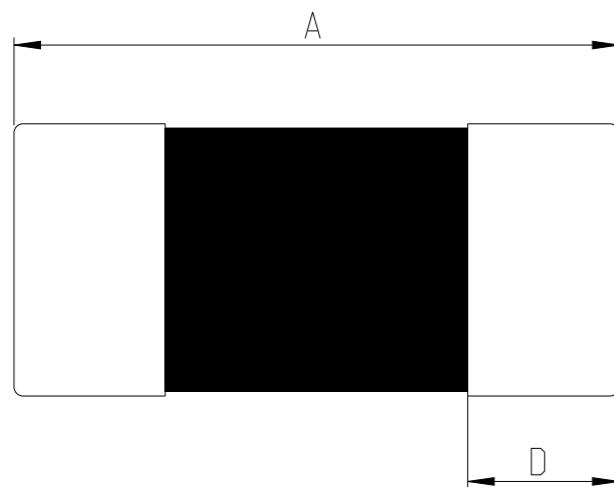


REVISIONS

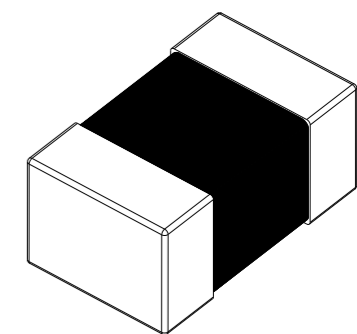
| P | LTR | DESCRIPTION | DATE | DWN | APVD |
|---|-----|-------------------------|-------------|-----|------|
| | BA | INITIAL DRAWING RELEASE | 04 JUN 2024 | DM | AP |
| | | | | | |
| | | | | | |



FOR FURTHER DETAILS PLEASE REFER TO AUTOMOTIVE GRADE MULTILAYER CHIP BEADS TYPE BMC-Q HIGH CURRENT SERIES

| TYPE | SIZE | A | B | C | D |
|-------|--------|-------------|-------------|-------------|-------------|
| | (Inch) | (mm) | (mm) | (mm) | (mm) |
| BMC-Q | 0805 | 2.00 ± 0.20 | 1.20 ± 0.20 | 0.90 ± 0.20 | 0.50 ± 0.30 |

RoHS Compliant



THIS DRAWING IS A CONTROLLED DOCUMENT.

| DIMENSIONS: | TOLERANCES UNLESS OTHERWISE SPECIFIED: |
|-------------|--|
| mm | |
| | 0 PLC ± |
| | 1 PLC ± |
| | 2 PLC ± |
| | 3 PLC ± |
| | 4 PLC ± |
| | ANGLES ± |
| MATERIAL | FINISH |
| - | - |
| - | - |

| | | |
|------------------|---------------|-------------|
| DWN | DHEERAJ M | 04 JUN 2024 |
| CHK | SHANTIKIRAN S | 04 JUN 2024 |
| APVD | ALLAN P | 04 JUN 2024 |
| PRODUCT SPEC | - | |
| APPLICATION SPEC | - | |
| WEIGHT | - | |
| CUSTOMER DRAWING | | |



| | | | | | |
|-------|-----------|------------|---------------|--|--|
| NAME | | | | AUTOMOTIVE GRADE MULTILAYER CHIP BEADS TYPE BMC-Q 0805 HIGH CURRENT SERIES | |
| SIZE | CAGE CODE | DRAWING NO | RESTRICTED TO | | |
| A3 | 00779 | C=2176744 | - | | |
| SCALE | | SHEET | OF | REV | |
| 40:1 | | 1 | 2 | BA | |

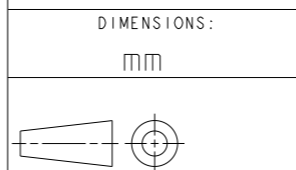
REVISIONS

| P | LTR | DESCRIPTION | DATE | DWN | APVD |
|---|-----|-------------|------|-----|------|
| - | | SEE SHEET 1 | - | - | - |
| | | | | | |
| | | | | | |

SCHEDULE

| TCPN | CATALOGUE NUMBER | PART DESCRIPTION | PART STATUS |
|-------------|------------------|---|-------------|
| 2176744-1 | BMC-Q2A0000H | BMC-Q 0805 ZR 0~15R TOL. HIGH CURRENT | PRODUCTION |
| 2176744-2 | BMC-Q2A0005H | BMC-Q 0805 5R0 0~15R TOL. HIGH CURRENT | PRODUCTION |
| 2176744-3 | BMC-Q2A0007H | BMC-Q 0805 7R0 0~11RTOL. HIGH CURRENT | PRODUCTION |
| 2176744-4 | BMC-Q2A0009H | BMC-Q 0805 9R0 5~13R TOL. HIGH CURRENT | PRODUCTION |
| 2176744-5 | BMC-Q2A0011H | BMC-Q 0805 11R 7~15R TOL. HIGH CURRENT | PRODUCTION |
| 2176744-6 | BMC-Q2A0015H | BMC-Q 0805 15R 9~21R TOL. HIGH CURRENT | PRODUCTION |
| 2176744-7 | BMC-Q2A0019H | BMC-Q 0805 19R 12~25R TOL. HIGH CURRENT | PRODUCTION |
| 2176744-8 | BMC-Q2AY0030H | BMC-Q 0805 30R 25% TOL. HIGH CURRENT | PRODUCTION |
| 2176744-9 | BMC-Q2AY0031H | BMC-Q 0805 31R 25% TOL. HIGH CURRENT | PRODUCTION |
| 1-2176744-0 | BMC-Q2AY0036H | BMC-Q 0805 36R 25% TOL. HIGH CURRENT | PRODUCTION |
| 1-2176744-1 | BMC-Q2AY0060H | BMC-Q 0805 60R 25% TOL. HIGH CURRENT | PRODUCTION |
| 1-2176744-2 | BMC-Q2AY0070H | BMC-Q 0805 70R 25% TOL. HIGH CURRENT | PRODUCTION |
| 1-2176744-3 | BMC-Q2AY0080H | BMC-Q 0805 80R 25% TOL. HIGH CURRENT | PRODUCTION |
| 1-2176744-4 | BMC-Q2AY0100H | BMC-Q 0805 100R 25% TOL. HIGH CURRENT | PRODUCTION |
| 1-2176744-5 | BMC-Q2AY0120H | BMC-Q 0805 120R 25% TOL. HIGH CURRENT | PRODUCTION |
| 1-2176744-6 | BMC-Q2AY0150H | BMC-Q 0805 150R 25% TOL. HIGH CURRENT | PRODUCTION |
| 1-2176744-7 | BMC-Q2AY0180H | BMC-Q 0805 180R 25% TOL. HIGH CURRENT | PRODUCTION |
| 1-2176744-8 | BMC-Q2AY0200H | BMC-Q 0805 200R 25% TOL. HIGH CURRENT | PRODUCTION |
| 1-2176744-9 | BMC-Q2AY0220H | BMC-Q 0805 220R 25% TOL. HIGH CURRENT | PRODUCTION |
| 2-2176744-0 | BMC-Q2AY0300H | BMC-Q 0805 300R 25% TOL. HIGH CURRENT | PRODUCTION |
| 2-2176744-1 | BMC-Q2AY0500H | BMC-Q 0805 500R 25% TOL. HIGH CURRENT | PRODUCTION |
| 2-2176744-2 | BMC-Q2AY0600H | BMC-Q 0805 600R 25% TOL. HIGH CURRENT | PRODUCTION |
| 2-2176744-3 | BMC-Q2AY0800H | BMC-Q 0805 800R 25% TOL. HIGH CURRENT | PRODUCTION |
| 2-2176744-4 | BMC-Q2AY1000H | BMC-Q 0805 1K0 25% TOL. HIGH CURRENT | PRODUCTION |
| 2-2176744-5 | BMC-Q2AY1200H | BMC-Q 0805 1.2K0 25% TOL. HIGH CURRENT | PRODUCTION |
| 2-2176744-6 | BMC-Q2AY1500H | BMC-Q 0805 1.5K0 25% TOL. HIGH CURRENT | PRODUCTION |

THIS DRAWING IS A CONTROLLED DOCUMENT.



DIMENSIONS:
mm

TOLERANCES UNLESS OTHERWISE SPECIFIED:

| | |
|--------|---|
| 0 PLC | ± |
| 1 PLC | ± |
| 2 PLC | ± |
| 3 PLC | ± |
| 4 PLC | ± |
| ANGLES | ± |
| FINISH | - |

DWN DHEERAJ M 04 JUN 2024

CHK SHANTIKIRAN S 04 JUN 2024

APVD ALLAN P 04 JUN 2024

PRODUCT SPEC -

APPLICATION SPEC -

WEIGHT -

CUSTOMER DRAWING



TE Connectivity

NAME AUTOMOTIVE GRADE MULTILAYER CHIP BEADS TYPE BMC-Q 0805 HIGH CURRENT SERIES

| | | | |
|------|-----------|------------|---------------|
| SIZE | CAGE CODE | DRAWING NO | RESTRICTED TO |
| A3 | 00779 | ©=2176744 | - |

SCALE 50:1 SHEET 2 OF 2 REV BA