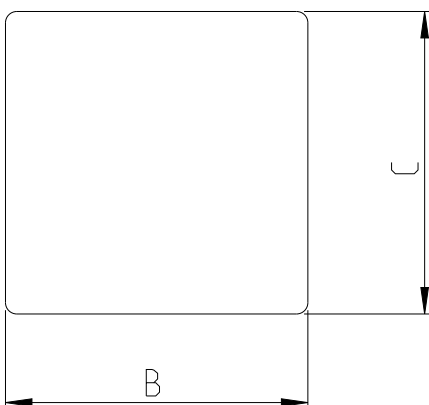
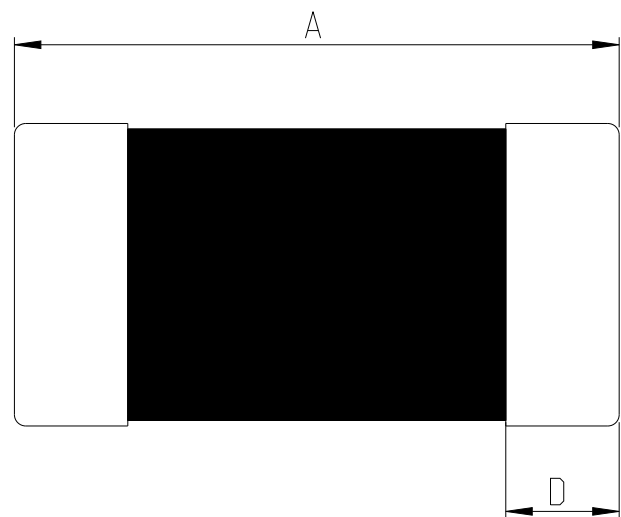


REVISIONS

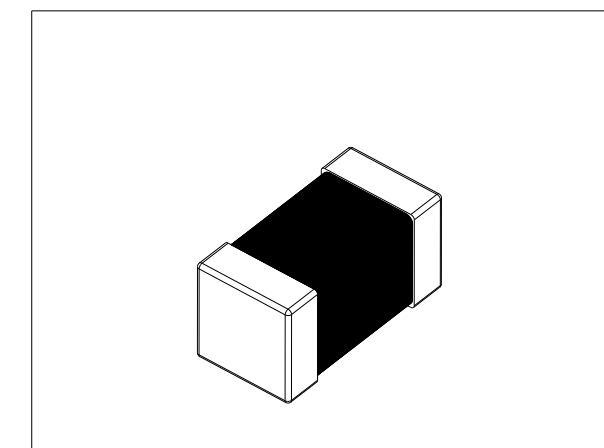
P	LTR	DESCRIPTION	DATE	DWN	APVD
	BA	INITIAL DRAWING RELEASE	04 JUN 2024	DM	AP



FOR FURTHER DETAILS PLEASE REFER TO AUTOMOTIVE GRADE MULTILAYER CHIP BEADS TYPE BMC-Q ULTRA HIGH CURRENT SERIES

TYPE	SIZE	A	B	C	D
	(Inch)	(mm)	(mm)	(mm)	(mm)
BMC-Q	0603	1.60 ± 0.20	0.80 ± 0.20	0.80 ± 0.20	0.30 ± 0.20

RoHS Compliant



THIS DRAWING IS A CONTROLLED DOCUMENT.

DIMENSIONS: mm		TOLERANCES UNLESS OTHERWISE SPECIFIED:	
	0 PLC	±	
	1 PLC	±	
	2 PLC	±	
	3 PLC	±	
	4 PLC	±	
MATERIAL		FINISH	
-		-	

DWN	DHEERAJ M	04 JUN 2024
CHK	SHANTIKIRAN S	04 JUN 2024
APVD	ALLAN P	04 JUN 2024
PRODUCT SPEC	-	
APPLICATION SPEC	-	
WEIGHT	-	
CUSTOMER DRAWING		




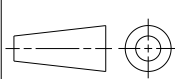
NAME AUTOMOTIVE GRADE MULTILAYER CHIP BEADS TYPE BMC-Q 0603 ULTRA HIGH CURRENT SERIES			
SIZE	CAGE CODE	DRAWING NO	RESTRICTED TO
A3	00779	C=2176747	-
SCALE		SHEET	REV
50:1		1 OF 2	BA

REVISIONS

P	LTR	DESCRIPTION	DATE	DWN	APVD
-		SEE SHEET 1	-	-	-

SCHEDULE

TCPN	CATALOGUE NUMBER	PART DESCRIPTION	PART STATUS
2176747-1	BMC-Q1J0000M	BMC-Q 0603 ZR 0~15R TOL. UH CURRENT	PRODUCTION
2176747-2	BMC-Q1J0005M	BMC-Q 0603 5R0 0~15R TOL. UH CURRENT	PRODUCTION
2176747-3	BMC-Q1J0007M	BMC-Q 0603 7R0 0~11RTOL. UH CURRENT	PRODUCTION
2176747-4	BMC-Q1J0009M	BMC-Q 0603 9R0 5~13R TOL. UH CURRENT	PRODUCTION
2176747-5	BMC-Q1J0011M	BMC-Q 0603 11R 7~15R TOL. UH CURRENT	PRODUCTION
2176747-6	BMC-Q1J0015M	BMC-Q 0603 15R 9~21R TOL. UH CURRENT	PRODUCTION
2176747-7	BMC-Q1J0019M	BMC-Q 0603 19R 12~25R TOL. UH CURRENT	PRODUCTION
2176747-8	BMC-Q1JY0030M	BMC-Q 0603 30R 25% TOL. UH CURRENT	PRODUCTION
2176747-9	BMC-Q1JY0050M	BMC-Q 0603 50R 25% TOL. UH CURRENT	PRODUCTION
1-2176747-0	BMC-Q1JY0060M	BMC-Q 0603 60R 25% TOL. UH CURRENT	PRODUCTION
1-2176747-1	BMC-Q1JY0070M	BMC-Q 0603 70R 25% TOL. UH CURRENT	PRODUCTION
1-2176747-2	BMC-Q1JY0080M	BMC-Q 0603 80R 25% TOL. UH CURRENT	PRODUCTION
1-2176747-3	BMC-Q1JY0100M	BMC-Q 0603 100R 25% TOL. UH CURRENT	PRODUCTION
1-2176747-4	BMC-Q1JY0120M	BMC-Q 0603 120R 25% TOL. UH CURRENT	PRODUCTION
1-2176747-5	BMC-Q1JY0150M	BMC-Q 0603 150R 25% TOL. UH CURRENT	PRODUCTION
1-2176747-6	BMC-Q1JY0180M	BMC-Q 0603 180R 25% TOL. UH CURRENT	PRODUCTION
1-2176747-7	BMC-Q1JY0220M	BMC-Q 0603 220R 25% TOL. UH CURRENT	PRODUCTION
1-2176747-8	BMC-Q1JY0300M	BMC-Q 0603 300R 25% TOL. UH CURRENT	PRODUCTION
1-2176747-9	BMC-Q1JY0500M	BMC-Q 0603 500R 25% TOL. UH CURRENT	PRODUCTION
2-2176747-0	BMC-Q1JY0600M	BMC-Q 0603 600R 25% TOL. UH CURRENT	PRODUCTION
2-2176747-1	BMC-Q1JY0800M	BMC-Q 0603 800R 25% TOL. UH CURRENT	PRODUCTION
2-2176747-2	BMC-Q1JY1000M	BMC-Q 0603 1K0 25% TOL. UH CURRENT	PRODUCTION

THIS DRAWING IS A CONTROLLED DOCUMENT.		DWN DHEERAJ M 04 JUN 2024	 TE Connectivity	
DIMENSIONS: mm		CHK SHANTIKIRAN S 04 JUN 2024		
		APVD ALLAN P 04 JUN 2024		
TOLERANCES UNLESS OTHERWISE SPECIFIED:		PRODUCT SPEC	NAME AUTOMOTIVE GRADE MULTILAYER CHIP BEADS TYPE BMC-Q 0603 ULTRA HIGH CURRENT SERIES	
0 PLC ±		APPLICATION SPEC	SIZE	RESTRICTED TO
1 PLC ±			CAGE CODE	
2 PLC ±			DRAWING NO	
3 PLC ±			A3 00779	©=2176747
4 PLC ±				
ANGLES ±		WEIGHT		
FINISH			SCALE	SHEET
-			50:1	2 OF 2
-		CUSTOMER DRAWING		REV BA