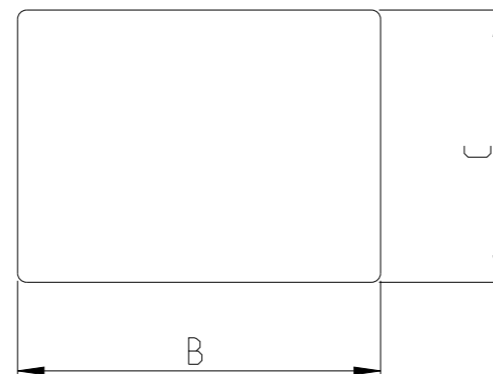
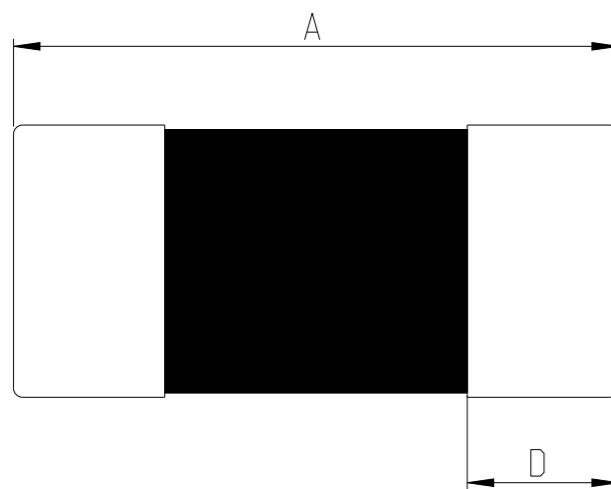


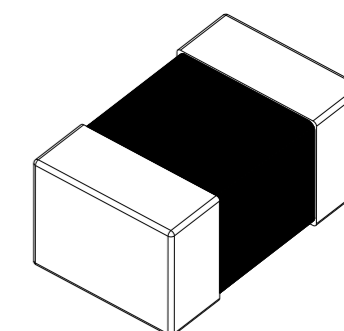
P	LTR	DESCRIPTION	DATE	DWN	APVD
	BA	INITIAL DRAWING RELEASE	04JUN2024	DM	AP

FOR FURTHER DETAILS PLEASE REFER TO AUTOMOTIVE GRADE MULTILAYER CHIP BEADS TYPE BMC-Q ULTRA HIGH CURRENT SERIES



TYPE	SIZE	A	B	C	D
	(Inch)	(mm)	(mm)	(mm)	(mm)
BMC-Q	0805	2.00 ± 0.20	1.20 ± 0.20	0.90 ± 0.20	0.50 ± 0.30

RoHS Compliant



THIS DRAWING IS A CONTROLLED DOCUMENT.

DIMENSIONS:	TOLERANCES UNLESS OTHERWISE SPECIFIED:
mm	
	0 PLC ±
	1 PLC ±
	2 PLC ±
	3 PLC ±
	4 PLC ±
	ANGLES ±
MATERIAL	FINISH
-	-
-	-

DWN	DHEERAJ M	04 JUN 2024
CHK	SHANTIKIRAN S	04 JUN 2024
APVD	ALLAN P	04 JUN 2024
PRODUCT SPEC	-	
APPLICATION SPEC	-	
WEIGHT	-	
CUSTOMER DRAWING		

**TE** TE Connectivity

NAME  
AUTOMOTIVE GRADE MULTILAYER CHIP BEADS TYPE BMC-Q 0805 ULTRA HIGH CURRENT SERIES


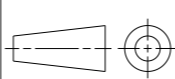
SIZE	CAGE CODE	DRAWING NO	RESTRICTED TO
A3	00779	C=2176748	-
SCALE	40:1	SHEET	1 OF 2
REV	BA		

REVISIONS

P	LTR	DESCRIPTION	DATE	DWN	APVD
-		SEE SHEET 1	-	-	-

SCHEDULE

TCPN	CATALOGUE NUMBER	PART DESCRIPTION	PART STATUS
2176748-1	BMC-Q2A0000M	BMC-Q 0805 ZR 0~15R TOL. UH CURRENT	PRODUCTION
2176748-2	BMC-Q2A0005M	BMC-Q 0805 5R0 0~15R TOL. UH CURRENT	PRODUCTION
2176748-3	BMC-Q2A0007M	BMC-Q 0805 7R0 0~11RTOL. UH CURRENT	PRODUCTION
2176748-4	BMC-Q2A0009M	BMC-Q 0805 9R0 5~13R TOL. UH CURRENT	PRODUCTION
2176748-5	BMC-Q2A0011M	BMC-Q 0805 11R 7~15R TOL. UH CURRENT	PRODUCTION
2176748-6	BMC-Q2A0015M	BMC-Q 0805 15R 9~21R TOL. UH CURRENT	PRODUCTION
2176748-7	BMC-Q2A0019M	BMC-Q 0805 19R 12~25R TOL. UH CURRENT	PRODUCTION
2176748-8	BMC-Q2AY0030M	BMC-Q 0805 30R 25% TOL. UH CURRENT	PRODUCTION
2176748-9	BMC-Q2AY0031M	BMC-Q 0805 31R 25% TOL. UH CURRENT	PRODUCTION
1-2176748-0	BMC-Q2AY0050M	BMC-Q 0805 50R 25% TOL. UH CURRENT	PRODUCTION
1-2176748-1	BMC-Q2AY0060M	BMC-Q 0805 60R 25% TOL. UH CURRENT	PRODUCTION
1-2176748-2	BMC-Q2AY0070M	BMC-Q 0805 70R 25% TOL. UH CURRENT	PRODUCTION
1-2176748-3	BMC-Q2AY0080M	BMC-Q 0805 80R 25% TOL. UH CURRENT	PRODUCTION
1-2176748-4	BMC-Q2AY0100M	BMC-Q 0805 100R 25% TOL. UH CURRENT	PRODUCTION
1-2176748-5	BMC-Q2AY0120M	BMC-Q 0805 120R 25% TOL. UH CURRENT	PRODUCTION
1-2176748-6	BMC-Q2AY0150M	BMC-Q 0805 150R 25% TOL. UH CURRENT	PRODUCTION
1-2176748-7	BMC-Q2AY0180M	BMC-Q 0805 180R 25% TOL. UH CURRENT	PRODUCTION
1-2176748-8	BMC-Q2AY0220M	BMC-Q 0805 220R 25% TOL. UH CURRENT	PRODUCTION
1-2176748-9	BMC-Q2AY0300M	BMC-Q 0805 300R 25% TOL. UH CURRENT	PRODUCTION
2-2176748-0	BMC-Q2AY0500M	BMC-Q 0805 500R 25% TOL. UH CURRENT	PRODUCTION
2-2176748-1	BMC-Q2AY0600M	BMC-Q 0805 600R 25% TOL. UH CURRENT	PRODUCTION
2-2176748-2	BMC-Q2AY1000M	BMC-Q 0805 1K0 25% TOL. UH CURRENT	PRODUCTION

THIS DRAWING IS A CONTROLLED DOCUMENT.		DWN DHEERAJ M 04 JUN 2024	 TE Connectivity	
DIMENSIONS: mm		CHK SHANTIKIRAN S 04 JUN 2024		
		APVD ALLAN P 04 JUN 2024		
TOLERANCES UNLESS OTHERWISE SPECIFIED:		PRODUCT SPEC	NAME AUTOMOTIVE GRADE MULTILAYER CHIP BEADS TYPE BMC-Q 0805 ULTRA HIGH CURRENT SERIES	
0 PLC ±		APPLICATION SPEC	SIZE	RESTRICTED TO
1 PLC ±			CAGE CODE	
2 PLC ±			DRAWING NO	
3 PLC ±			A3 00779	©=2176748
4 PLC ±				
ANGLES ±		WEIGHT		
FINISH			SCALE	SHEET
-			50:1	2 OF 2
-				REV BA
		CUSTOMER DRAWING		