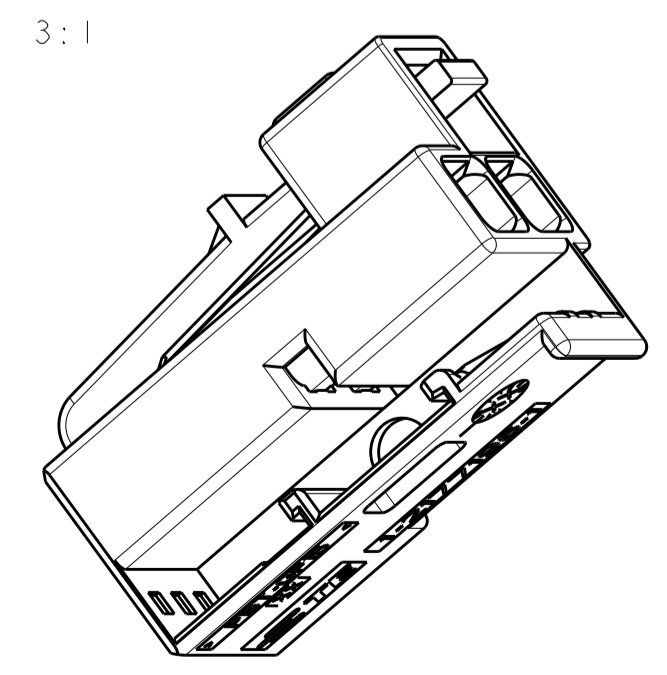
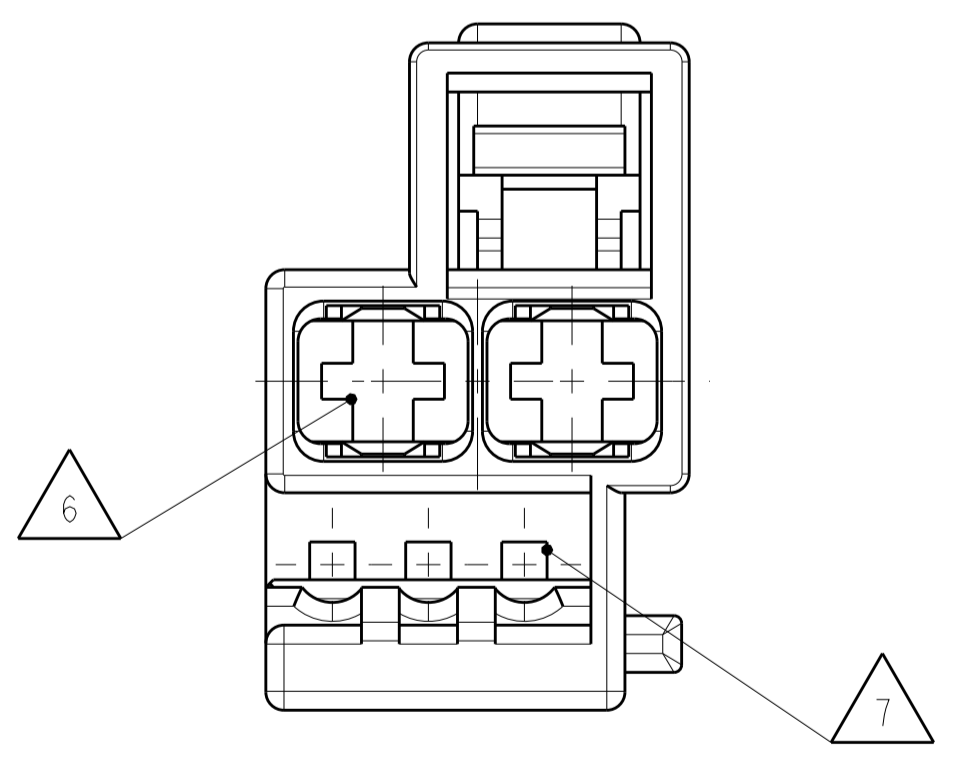
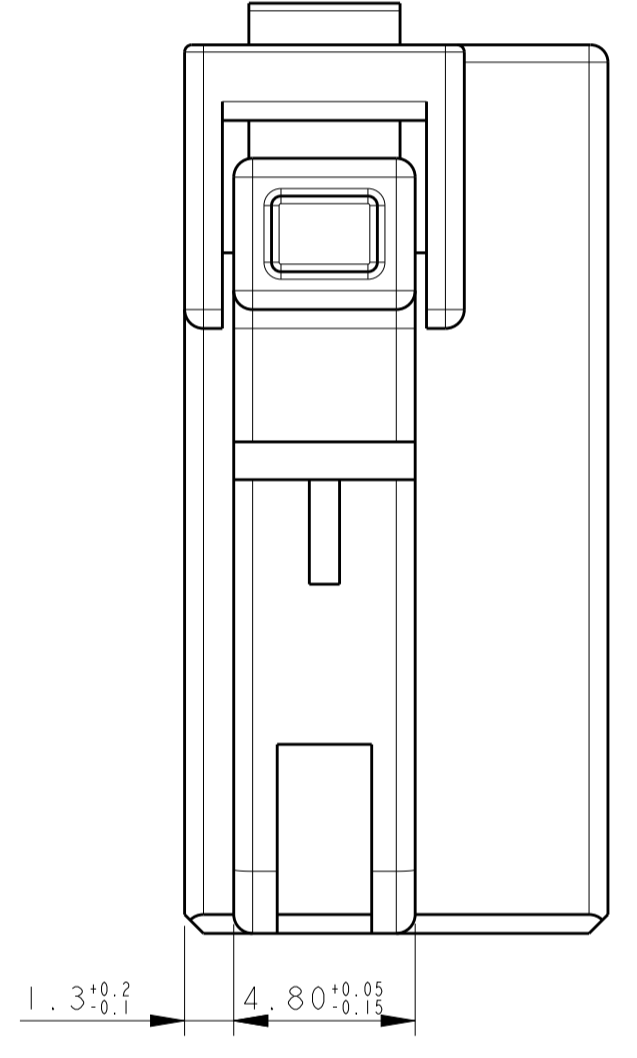
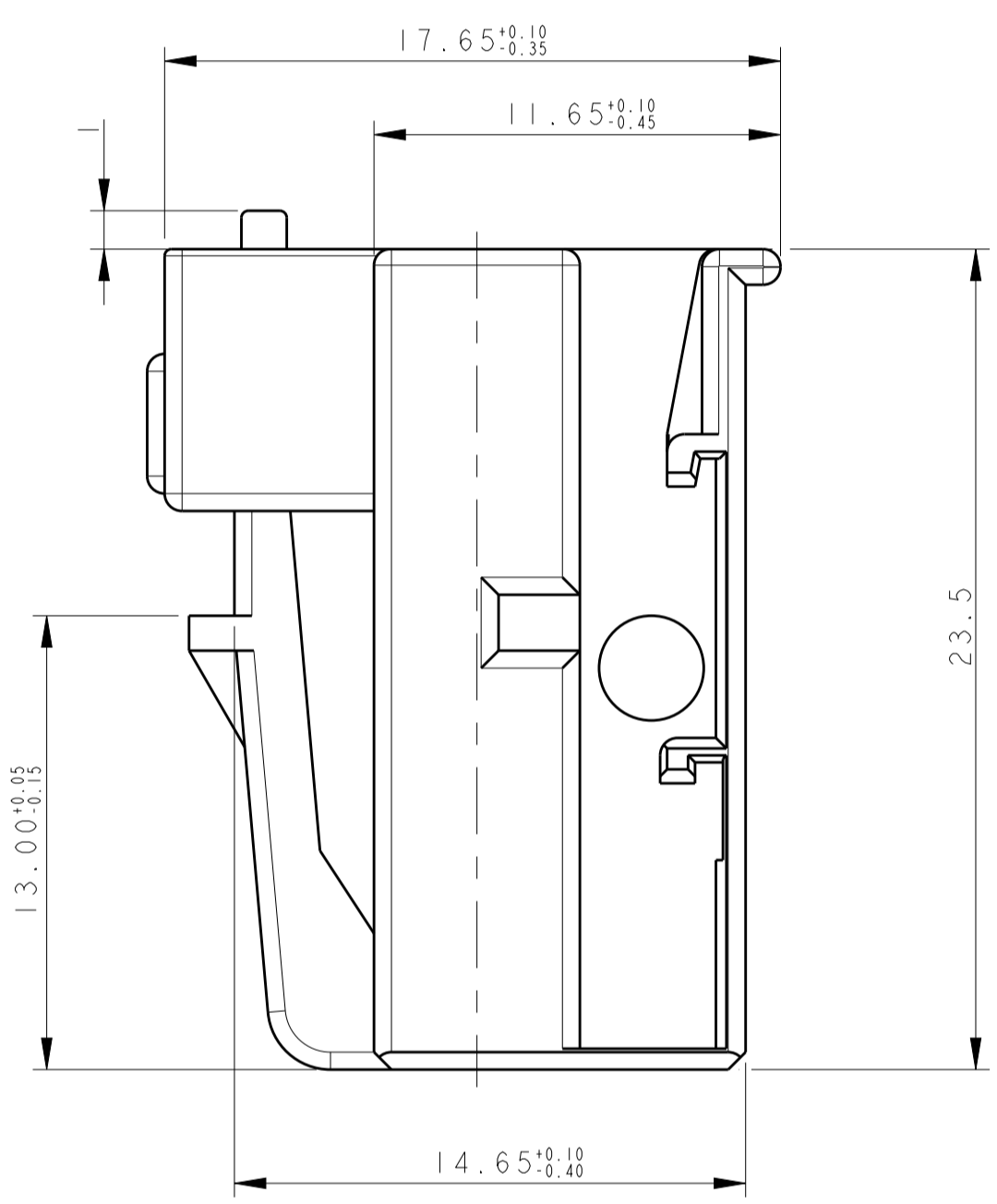
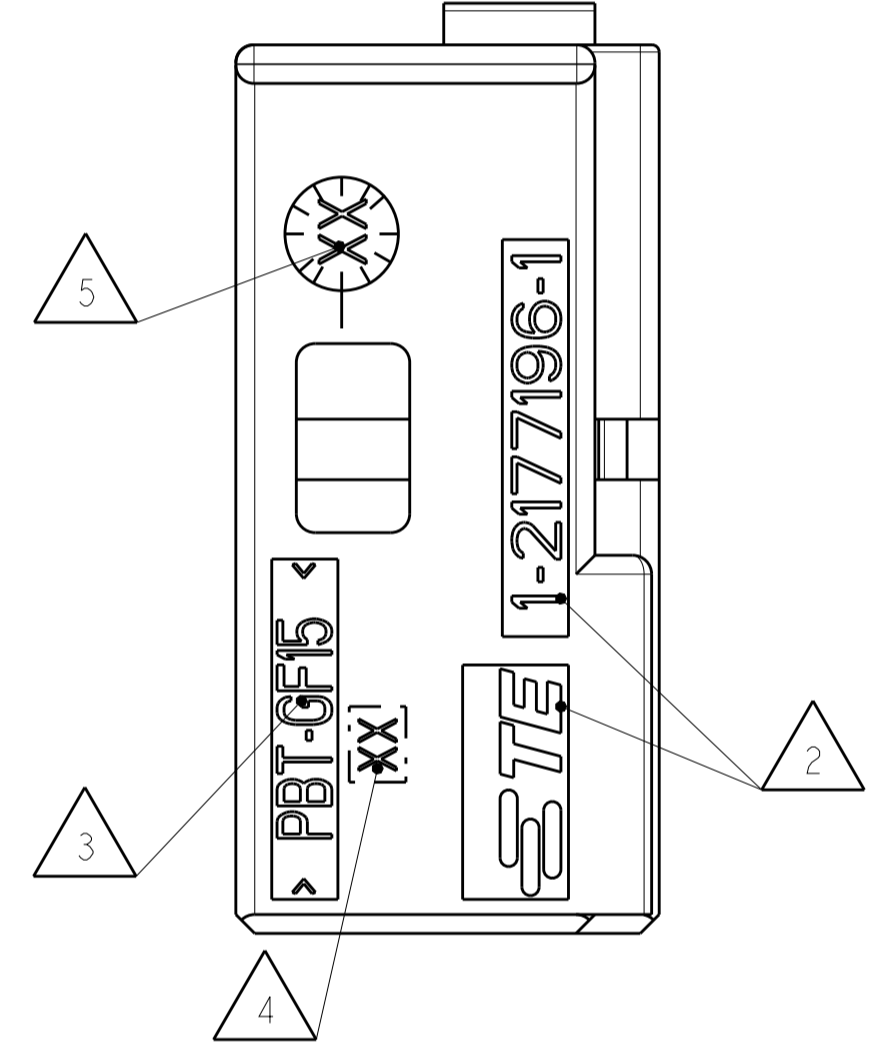
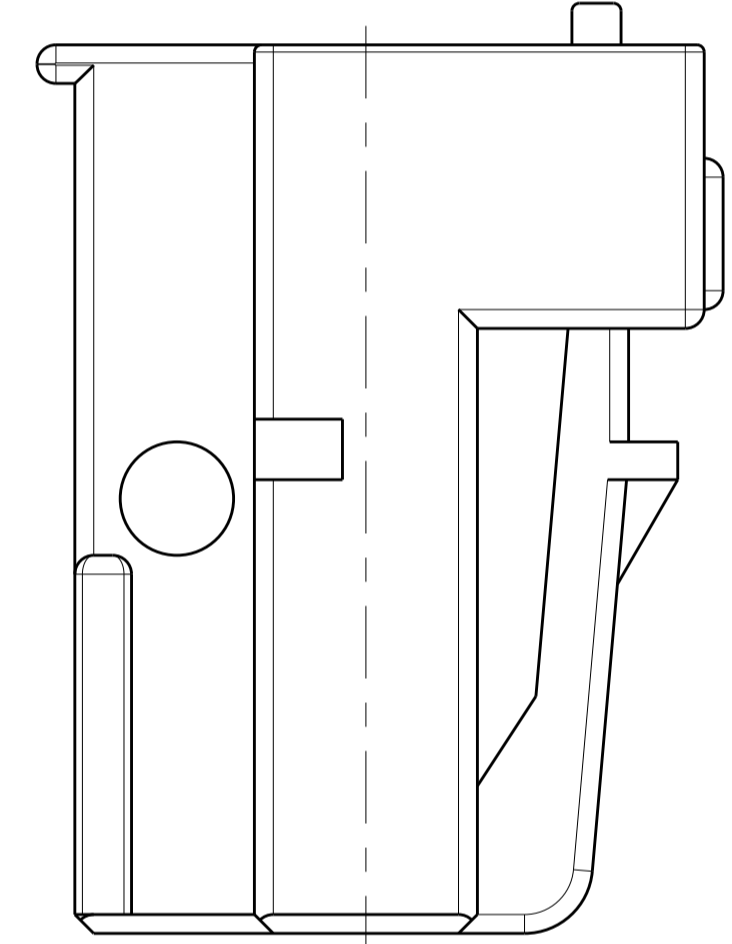
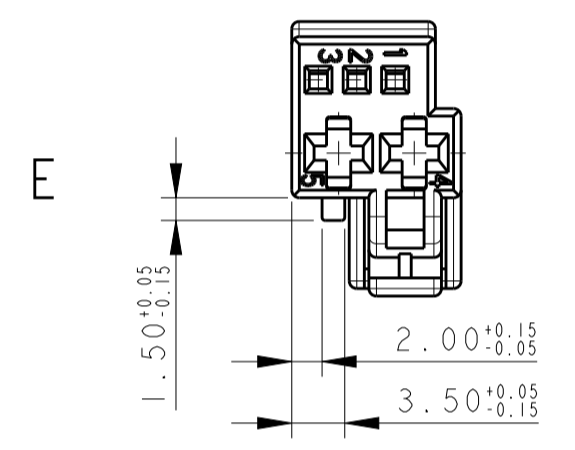
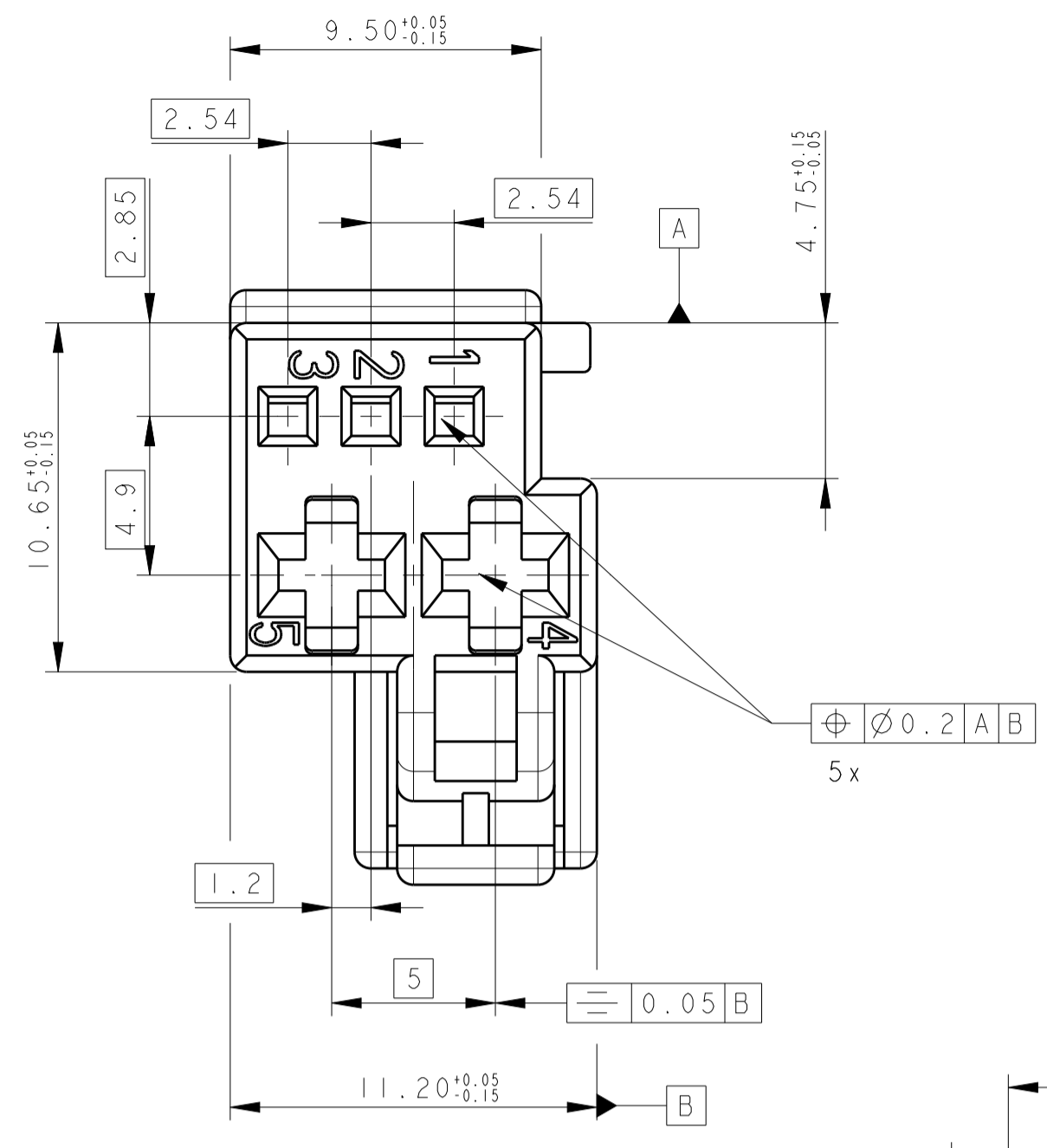
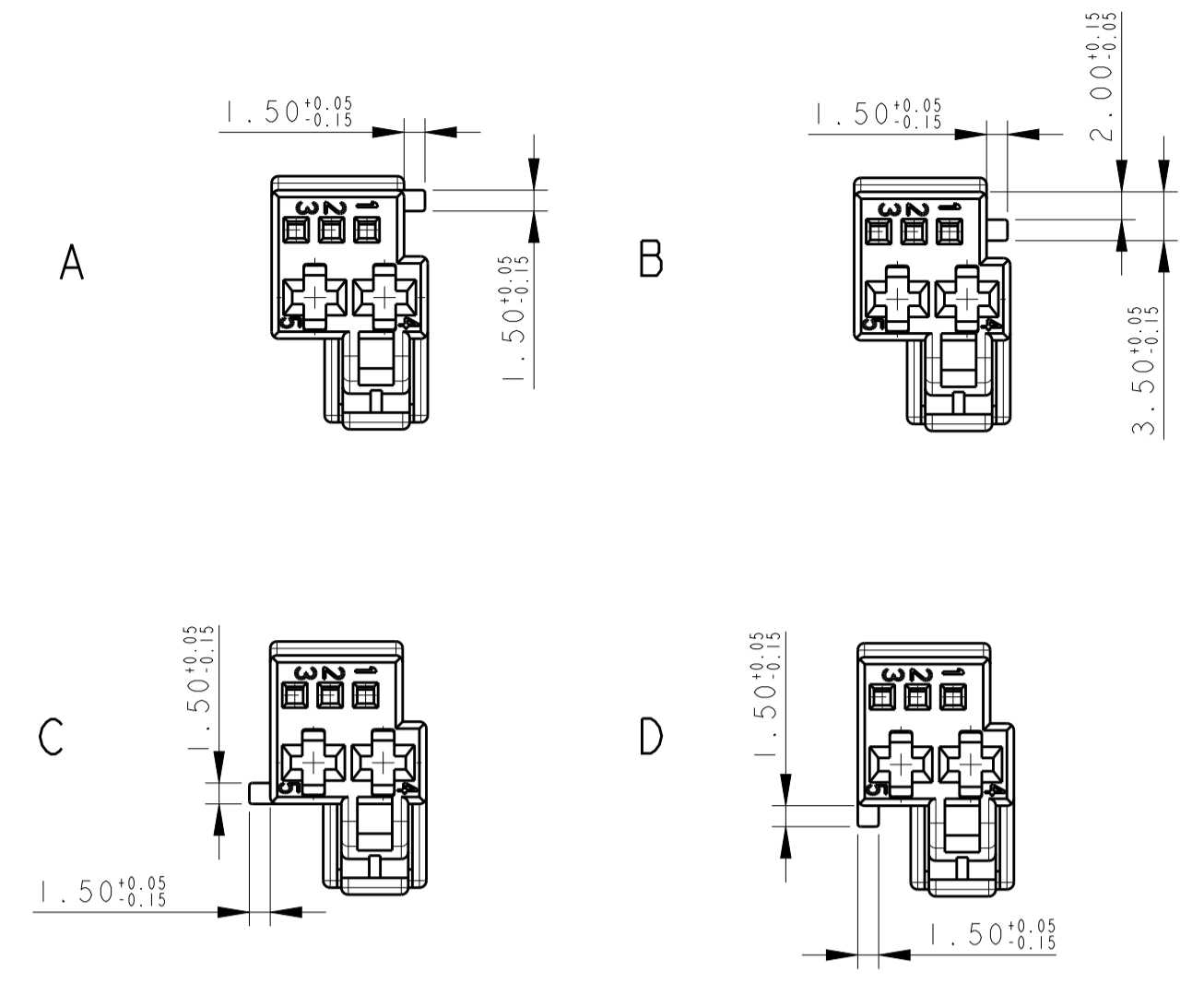


LOC		DIST		REVISIONS			
P	LTN	DESCRIPTION	DATE	DWN	APVD		
A1		RELEASED PER ECO 13-003094	27FEB2013	M.B.	M.B.		

CODINGS
2:1



- NOTES
- 1 CODING 1- -1 AS SHOWN
 - 2 SUPPLIER-LOGO
 - 3 MATERIAL IDENTIFICATION
 - 4 MOLD CAVITY MARKING.
 - 5 DATE INSERT
 - 6 CAVITIES SUITABLE FOR TE MCP 2.8 CONTACT PN 1355036
 - 7 SLOT SUITABLE FOR TE HOUSING FOR MQS CONTACTS PN 2177231
 - 8 FOR COUNTERPART INTERFACE DRAWING SEE SHEET 2 OF 2

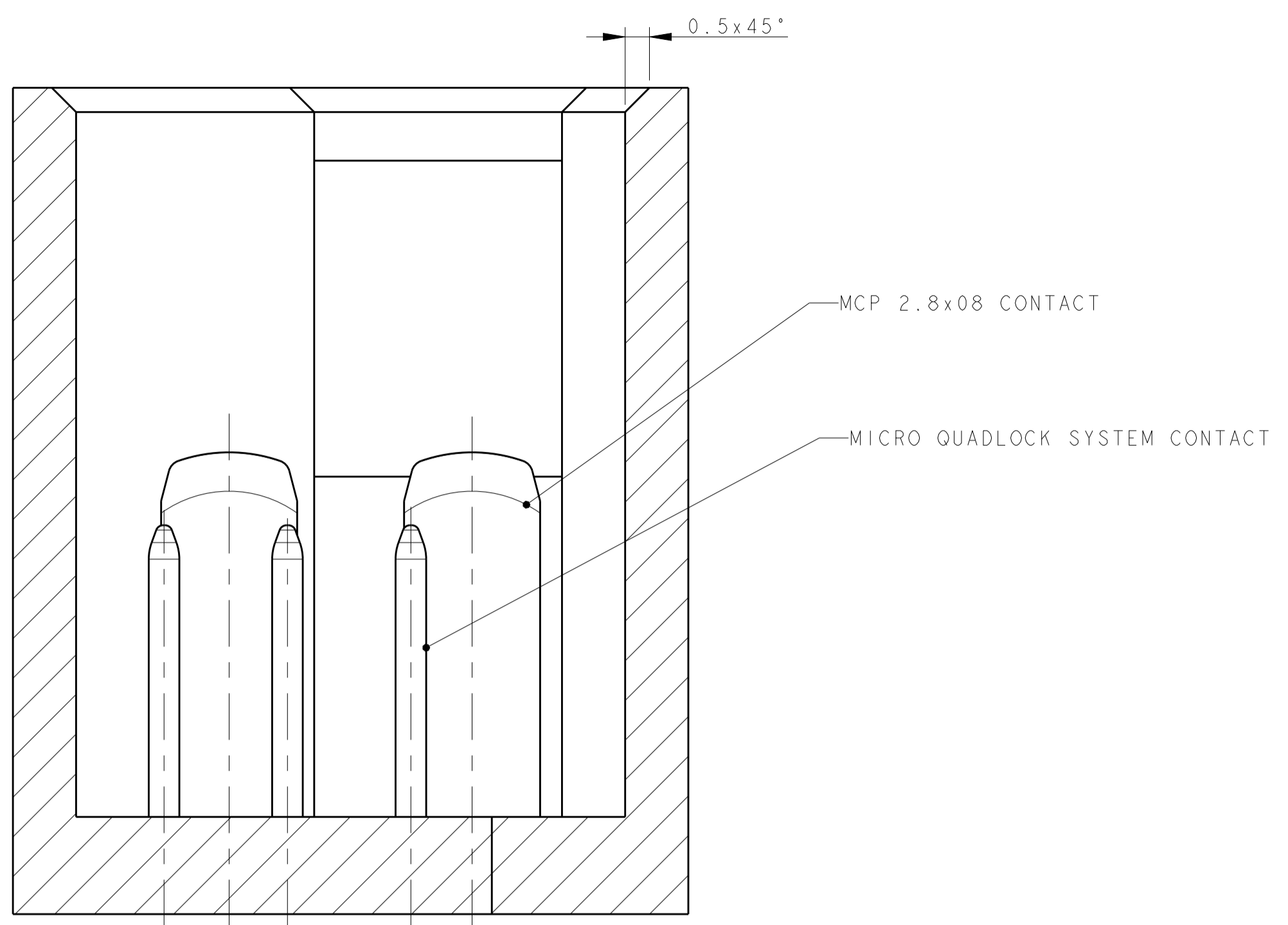
DESCRIPTION	MASS (Kg)	COD.	TE ORDER-NO.	REV.	MATERIAL	SURFACE
SOCKET HOUSING, 5POS	0,00179	E	5-2177196-1	I	PBT-GF15	GREEN
SOCKET HOUSING, 5POS	0,00179	D	4-2177196-1	I	PBT-GF15	VIOLET
SOCKET HOUSING, 5POS	0,00179	C	3-2177196-1	I	PBT-GF15	BLUE
SOCKET HOUSING, 5POS	0,00179	B	2-2177196-1	I	PBT-GF15	NATURAL
SOCKET HOUSING, 5POS	0,00179	A	1-2177196-1	I	PBT-GF15	BLACK

THIS DRAWING IS A CONTROLLED DOCUMENT.

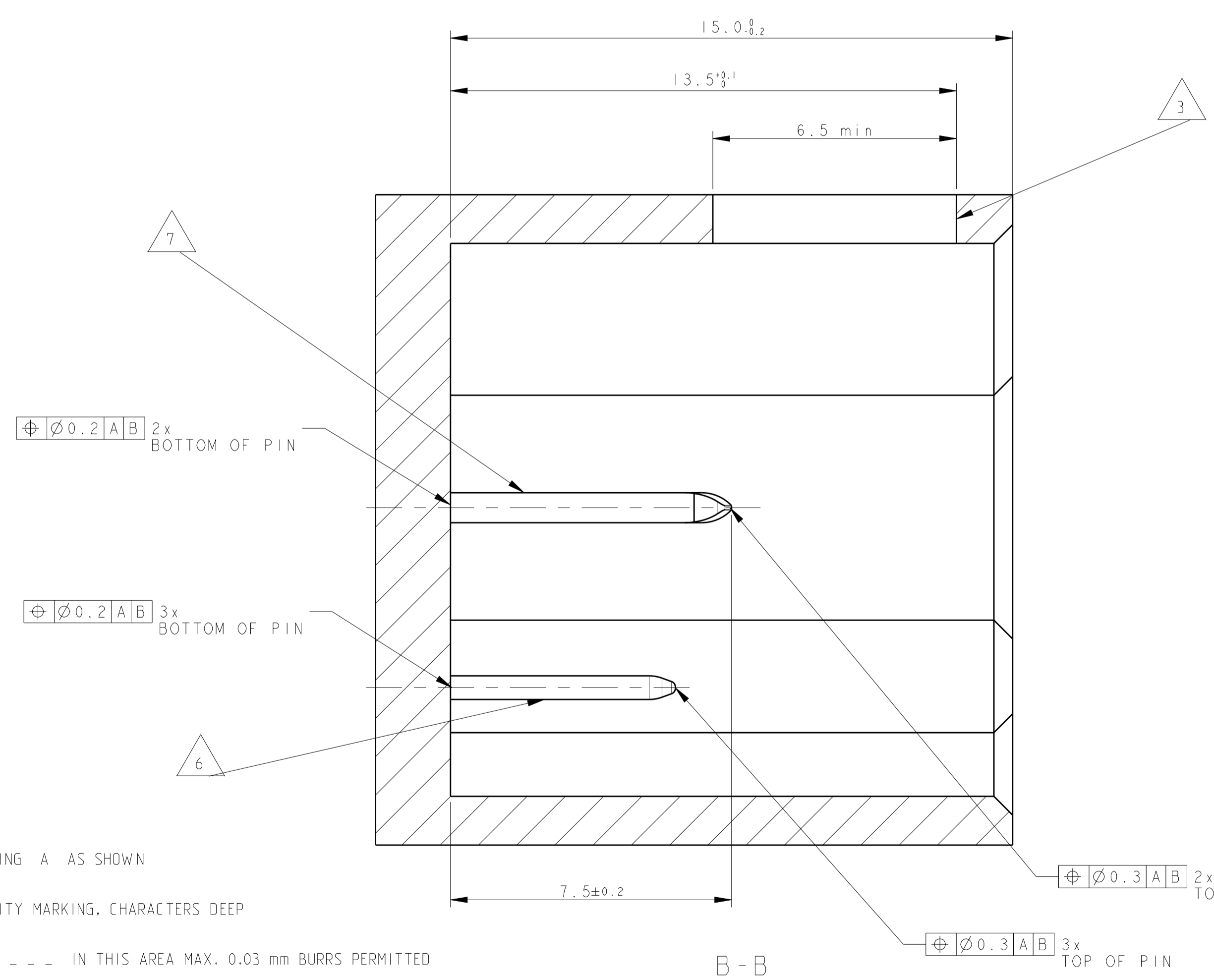
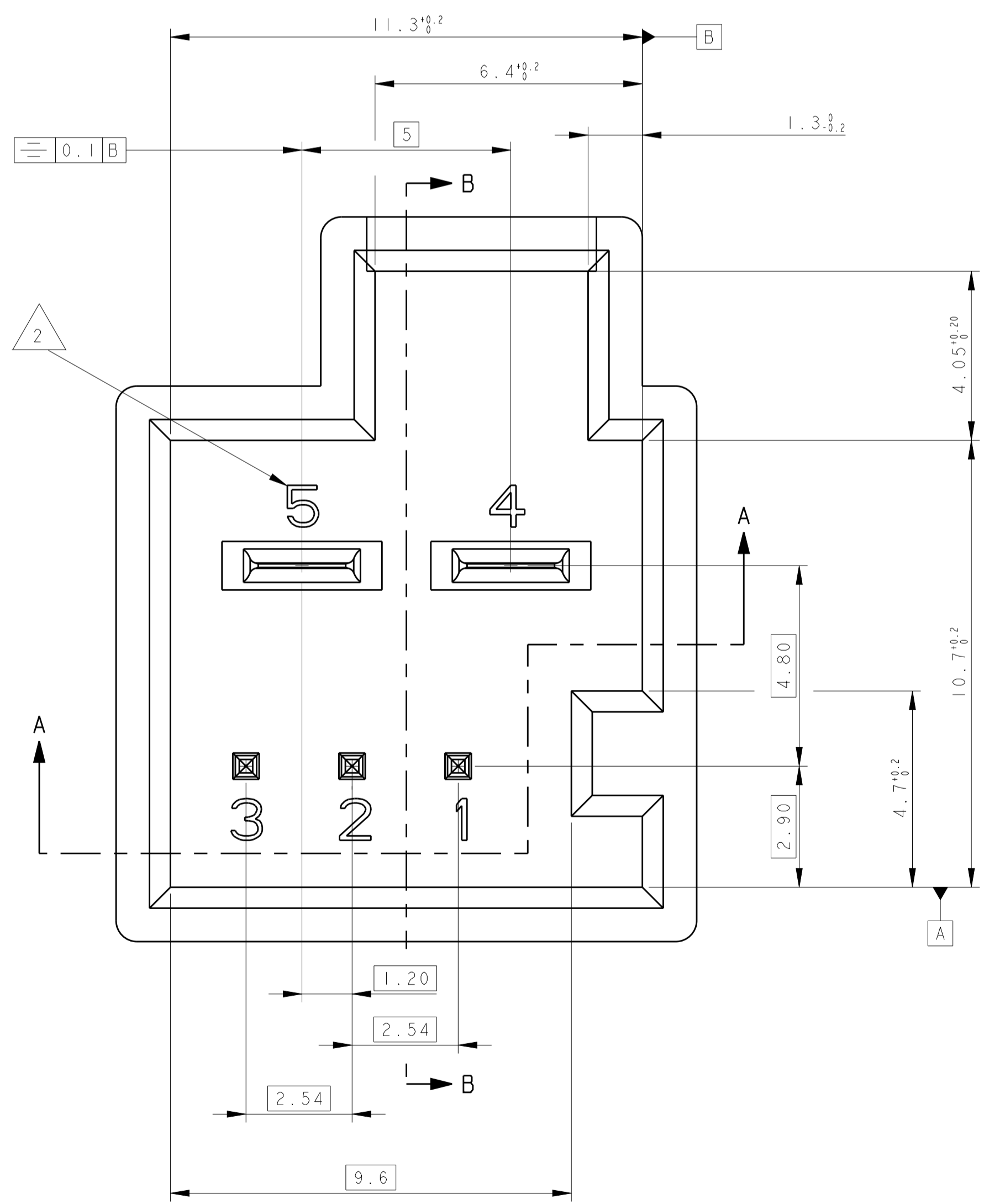
DIMENSIONS: mm	TOLERANCES UNLESS OTHERWISE SPECIFIED: 0 PLC ±.15 1 PLC ±.10 2 PLC ±.10 3 PLC ±. 4 PLC ±. ANGLES ±°	OWN: M. POLIZZI 09MAY2011 CHK: M. GURLINO 09MAY2011 APVD: A. GENTA 09MAY2011	NAME: SOCKET HOUSING, 5POS (2xAMP MCP2.8 3xMQS)
MATERIAL: SEE TABLE	FINISH: SEE TABLE	WEIGHT: SEE TABLE	SIZE: CAGE CODE: DRAWING NO: RESTRICTED TO: A100779C=2177196
Customer Drawing		SCALE: 5:1	SHEET 1 OF 2 REV: A1

LOC	DIST	REV	DATE	APPV
		1		

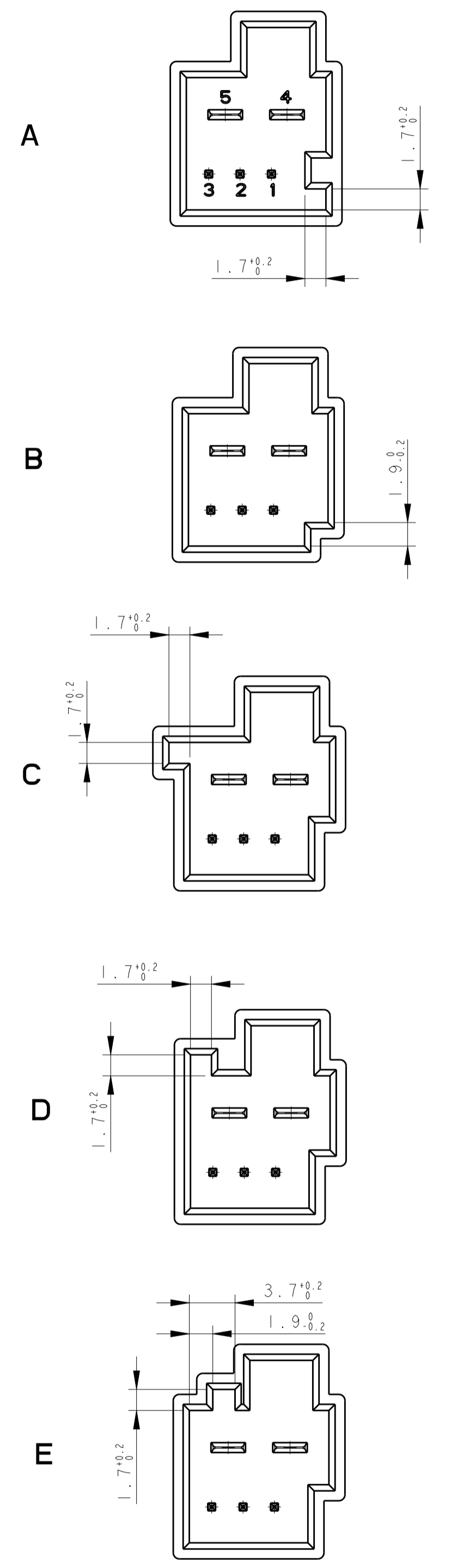
REVISIONS
SCALE 3:1



A - A



B - B



- NOTES:
- 1 CODING A AS SHOWN
 - 2 CAVITY MARKING, CHARACTERS DEEP
 - 3 - - - - IN THIS AREA MAX. 0.03 mm BURRS PERMITTED
 - 4 NO SPECIFIED RADII R0.5 mm
 - 5 NO SPECIFIED WALL THICKNESS MIN. 1.3 mm
 - 6 SPECIFICATION OF CONTACT PIN MQS No 114-18063
 - 7 SPECIFICATION OF CONTACT TAB 2.8x0.8 No 114-18230-002
 - 8 HEADER MATERIAL: PBT-GF15
 - 9 COUNTERPART SUITABLE FOR 5 POSITIONS SOCKET HOUSING: 2xMCP 2.8. 3xMQS TE PN 2177196

THIS DRAWING IS A CONTROLLED DOCUMENT.		OWN M. POLIZZI 09MAY2011	 TE Connectivity
DIMENSIONS: mm		CHK M. GURLINO 09MAY2011	
TOLERANCES UNLESS OTHERWISE SPECIFIED:		APPV A. GENTA 09MAY2011	NAME
0 PLC ±.15	1 PLC ±.10	PRODUCT SPEC	SOCKET HOUSING, 5POS
2 PLC ±.10	3 PLC ±.10	APPLICATION SPEC	(2xAMP MCP2.8 3xMQS)
4 PLC ±.10	5 PLC ±.10	SIZE	108-20320
ANGLES ±.2		WEIGHT	SEE TABLE
MATERIAL SEE TABLE	FINISH SEE TABLE	Customer Drawing	A100779C=2177196
6	7	SCALE	5:1
8		SHEET	2 OF 2
		REV	A1