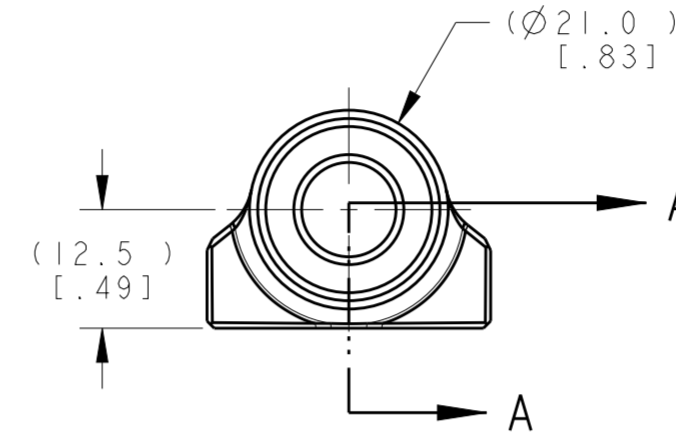
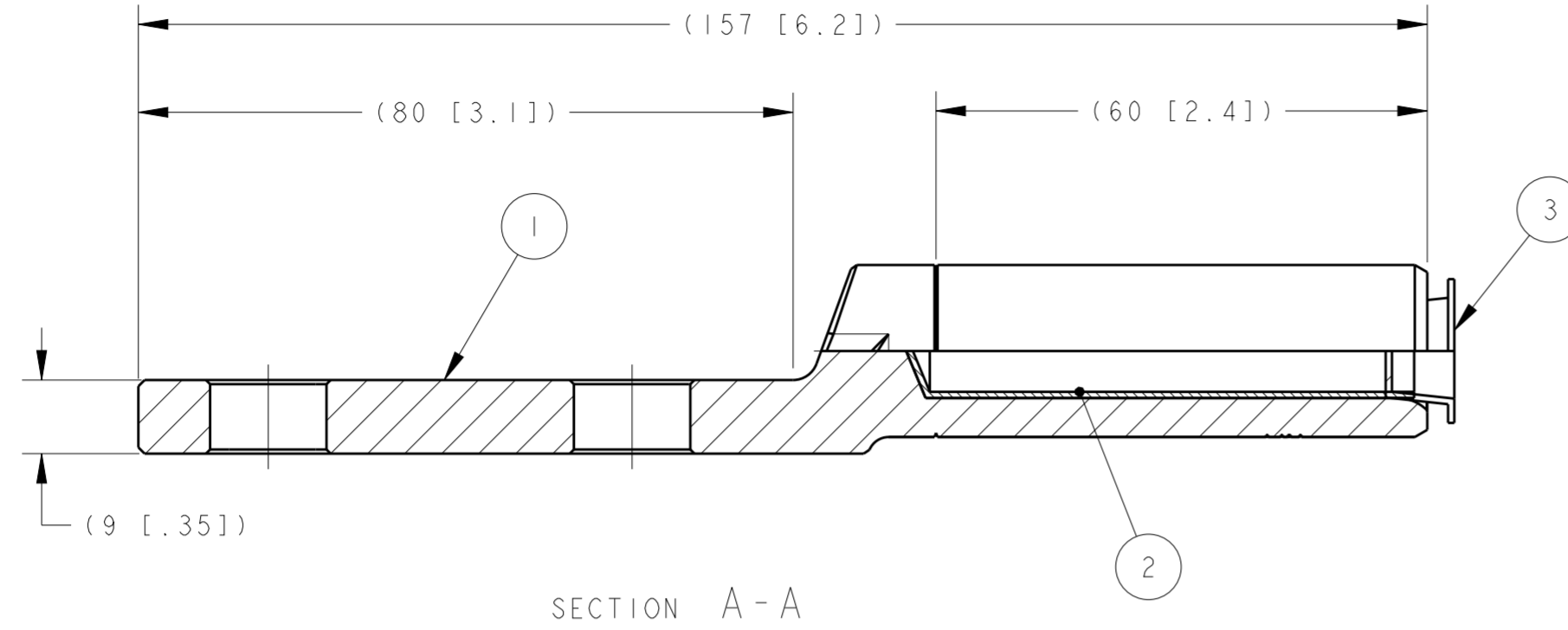
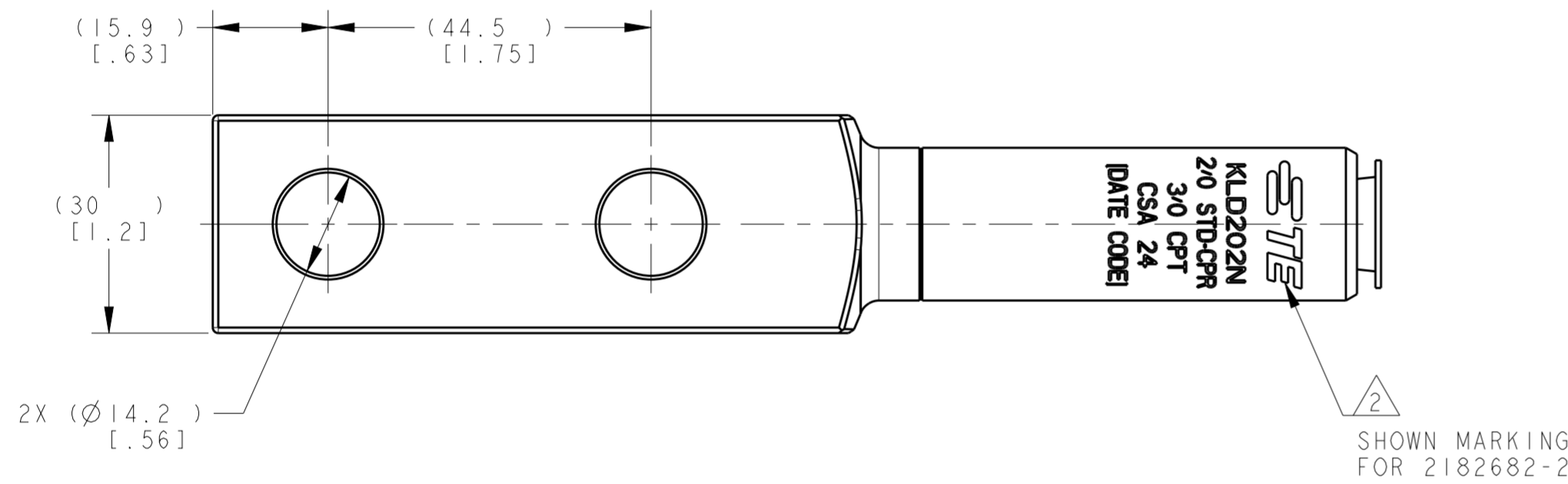


THIS DRAWING IS UNPUBLISHED. RELEASED FOR PUBLICATION 20
 © COPYRIGHT 20 BY - ALL RIGHTS RESERVED.

REVISIONS				
P	LTR	DESCRIPTION	DATE	APVD
B		LC20-0098-17 / ECO-17-013352	18SEP2017	DM BJ
C		LC20-0031-18 / ECO-18-004486	04APR2018	DM BJ
D		LC20-0048-18 / ECO-18-006178	27APR2018	DM BJ
E		LC20-0002-19 / ECO-19-000397	28JAN2019	DM BJ

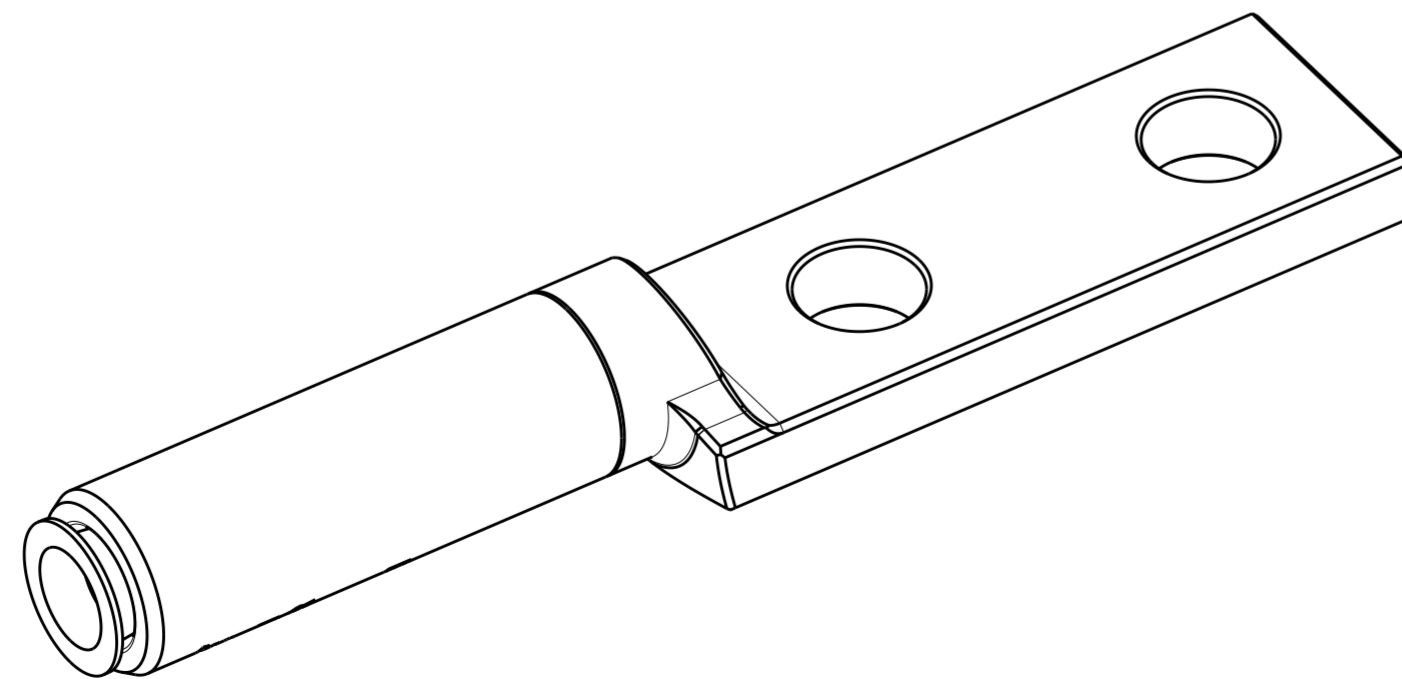


- ACCOMMODATES:
2/0 STD STR-CPR AND 3/0 CPT,
Ø10.7-10.3 [.423-.406 DIA]
CONDUCTORS TO 2 HOLE NEMA PAD.
- MARKING:
SEE TABLE
- HARDNESS: SOFT TEMPERED.
- ALL DIMENSIONS ARE FOR REFERENCE ONLY.
- CONNECTOR CONTAINS FACTORY APPLIED
ANTI-OXIDE INHIBITOR.
- RECOMMENDED PRESS TONNAGE:
15 TON (12 TON MIN).
- INSTALLATION INSTRUCTION SHEET:
408-32266.



SHOWN MARKING FOR 2182682-2

ELECTRO-TIN PLATED	STE KLD202NTN 2/0 STD-CPR 3/0 CPT CSA 24 [DATE CODE]	KLD202NTN	-	2182682-2
NONE	STE KLD202N 2/0 STD-CPR 3/0 CPT CSA 24 [DATE CODE]	KLD202N	1060071	2182682-1
FINISH	MARKING	CATALOG NO.	SAP NO.	PART NO.



1	1	CAP, PLASTIC	3
A/R	A/R	INHIBITOR	2
1	-	TIN PLATED	COMPRESSION LUG, ALUM ALLOY
-	1	UNPLATED	
-2	-1	DESCRIPTION	ITEM NO
QTY		PARTS LIST	

THIS DRAWING IS A CONTROLLED DOCUMENT.

DIMENSIONS: mm [INCH]	TOLERANCES UNLESS OTHERWISE SPECIFIED: 0 PLC ± 1 PLC ± 2 PLC ± 3 PLC ± 4 PLC ± ANGLES ± FINISH	DWN: D. MURUGLAH 06 JUN 2017 CHK: A. BULZA 09 JUN 2017 APVD: B. JOHNSON 09 JUN 2017	STE TE Connectivity	
MATERIAL: SEE BOM	SEE BOM	PRODUCT SPEC: - APPLICATION SPEC: - WEIGHT: -	NAME: COMPRESSION TERMINAL, ALUM, 2/0 STR, CPR, 3/0 CPT CONDUCTORS TO 2 HOLE NEMA PAD	
CUSTOMER DRAWING		SIZE: A2	CAGE CODE: 00779	DRAWING NO: C-2182682
SCALE: NTS		SHEET: 1	OF: 1	REV: E