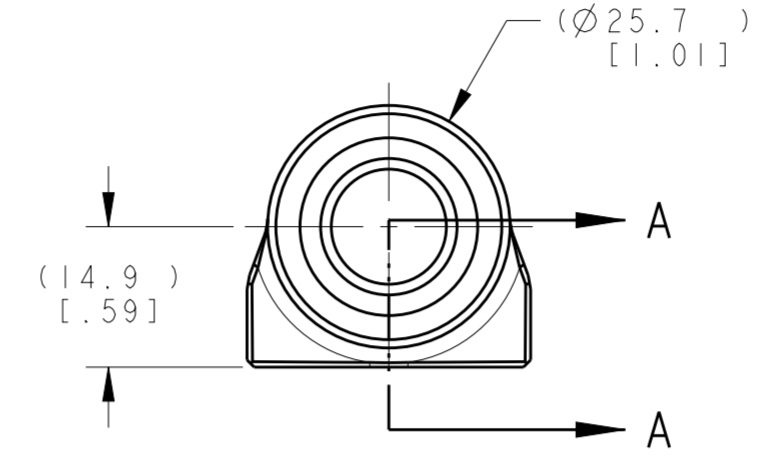
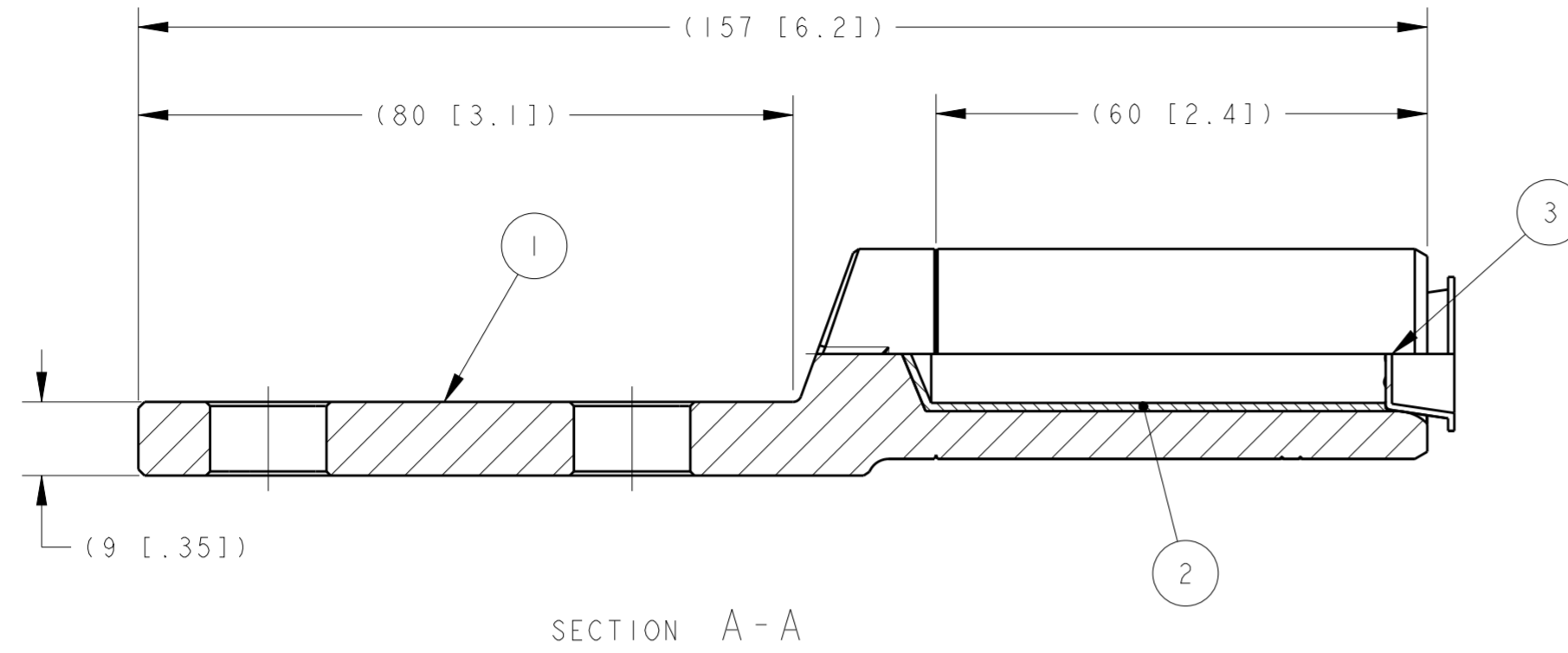
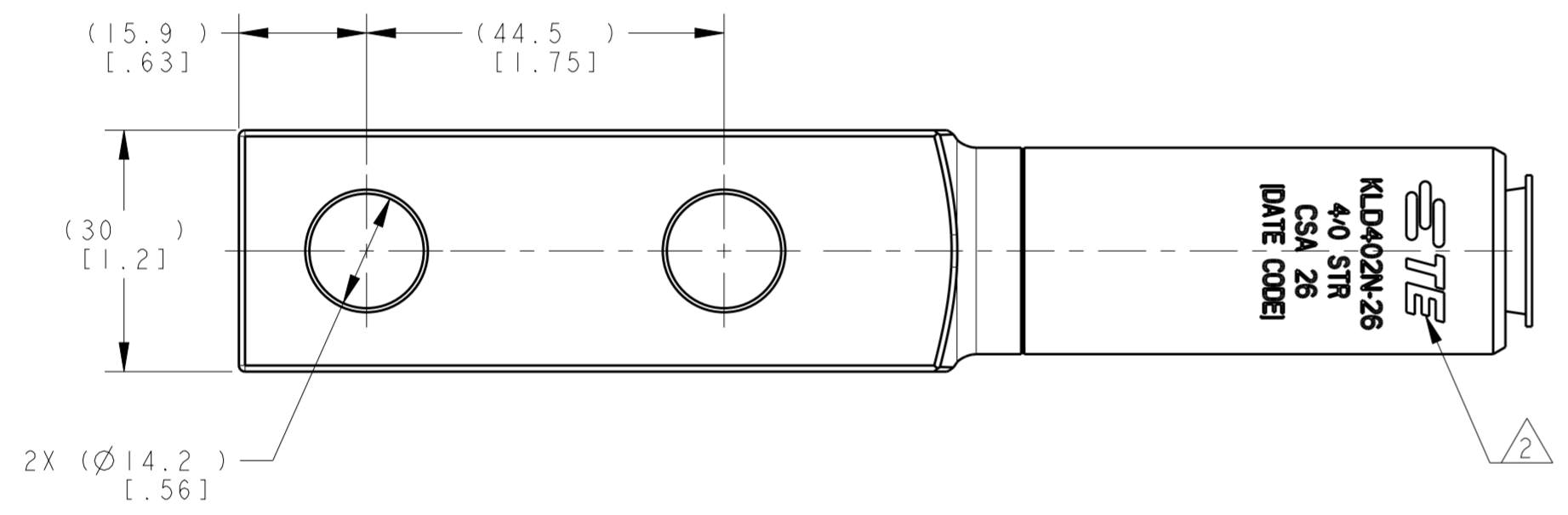


THIS DRAWING IS UNPUBLISHED. RELEASED FOR PUBLICATION 20
 © COPYRIGHT 20 BY - ALL RIGHTS RESERVED.

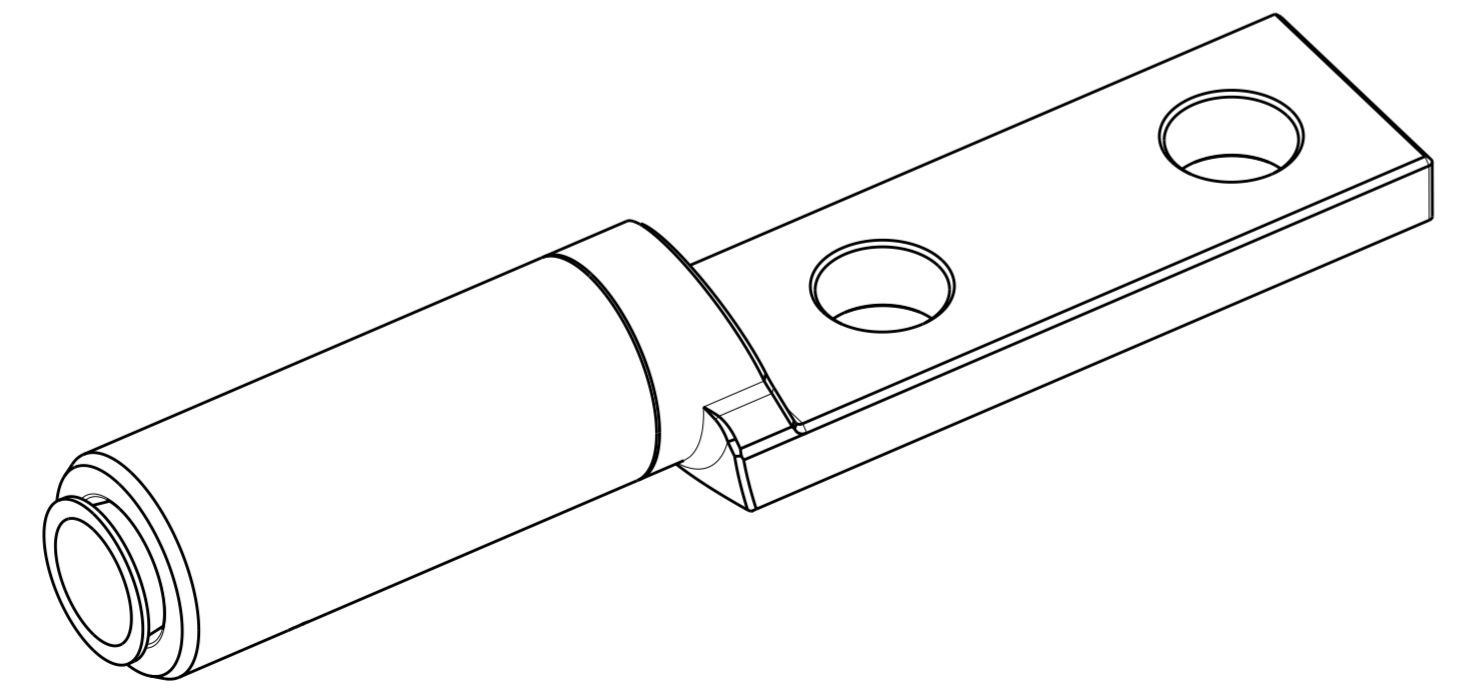
REVISIONS				
P	LTR	DESCRIPTION	DATE	APVD
A		INITIAL REL. PER LC20-0086-17	10AUG2017	JG BJ
B		LC20-0031-18 / ECO-18-004486	04APR2018	DM BJ
C		LC20-0048-18 / ECO-18-006178	27APR2018	DM BJ



- ACCOMMODATES:
4/0 STANDARD STRANDED TO SOLID
(Ø13.4-11.7 [.528-.460 DIA])
CONDUCTORS TO 2 HOLE NEMA PAD.
- MARKING:
SEE TABLE
- HARDNESS: SOFT TEMPERED.
- ALL DIMENSIONS ARE FOR REFERENCE ONLY.
- CONNECTOR CONTAINS FACTORY APPLIED ANTI-OXIDE INHIBITOR.
- RECOMMENDED PRESS TONNAGE:
15 TON (12 TON MIN).
- INSTALLATION INSTRUCTION SHEET:
408-32266.



ELECTRO-TIN PLATED	STE KLD402NTN-26 4/0 STR CSA 26 [DATE CODE]	KLD402NTN-26	-	2182721-2
NONE	STE KLD402N-26 4/0 STR CSA 26 [DATE CODE]	KLD402N-26	1060075	2182721-1
FINISH	MARKING	CATALOG NO.	SAP NO.	PART NO.



QTY	DESCRIPTION	ITEM NO
1	CAP, PLASTIC	3
A/R	INHIBITOR	2
1	TIN PLATED	COMPRESSION LUG, ALUM ALLOY
-	UNPLATED	
-2	-1	
PARTS LIST		

THIS DRAWING IS A CONTROLLED DOCUMENT.

DWN J. GUPPY 10AUG2017	STE TE Connectivity	
CHK A. BULZA 10AUG2017		
APVD B. JOHNSON 10AUG2017		
DIMENSIONS: mm [INCH]	TOLERANCES UNLESS OTHERWISE SPECIFIED:	NAME COMPRESSION TERMINAL, ALUMINUM, 4/0 STD STR-SOL CONDUCTORS TO 2 HOLE NEMA PAD
0 PLC ±	1 PLC ±	SIZE CAGE CODE DRAWING NO
2 PLC ±	2 PLC ±	A2100779 C-2182721
3 PLC ±	3 PLC ±	RESTRICTED TO
4 PLC ±	4 PLC ±	
ANGLES ±	FINISH	SCALE NTS SHEET OF REV C
MATERIAL SEE BOM	SEE BOM	
CUSTOMER DRAWING		