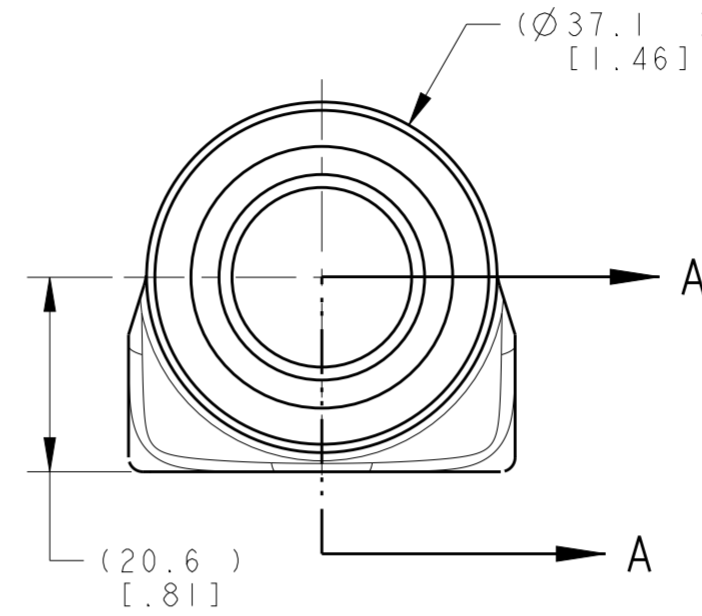
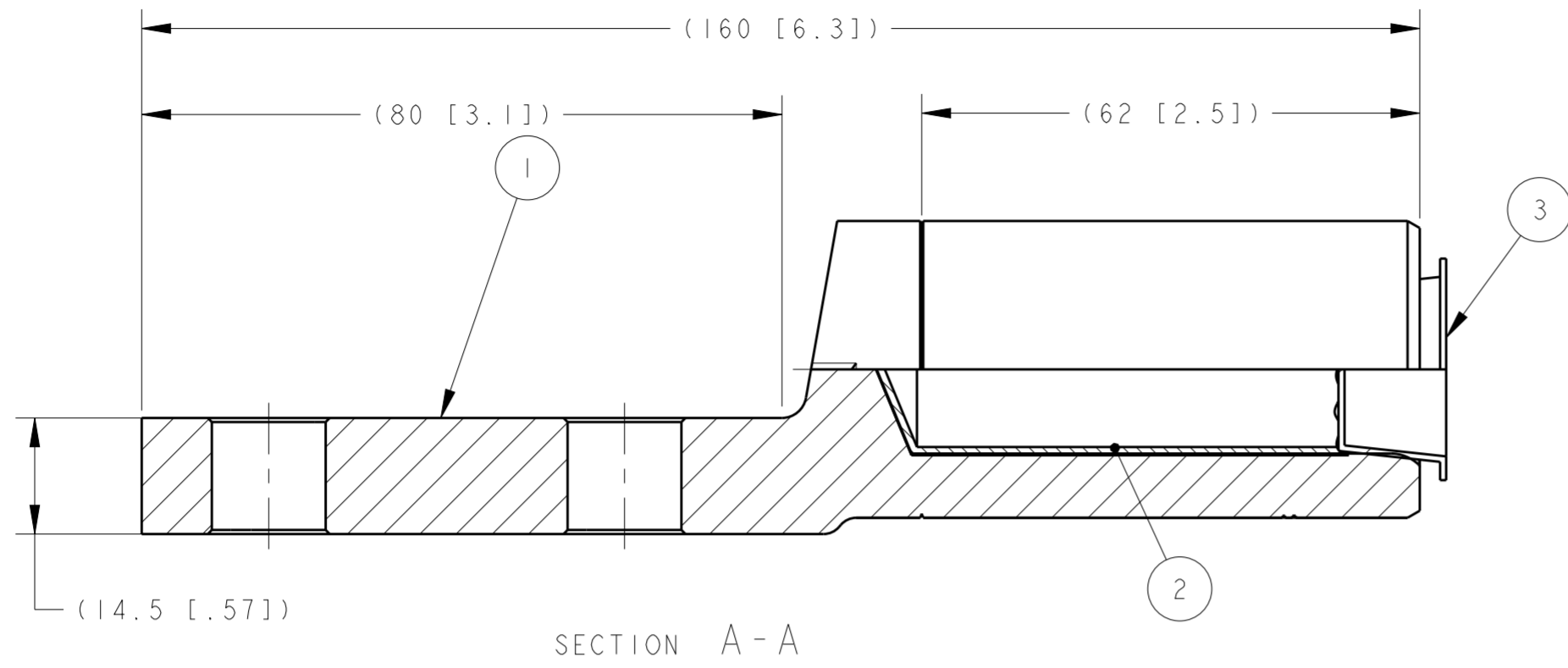
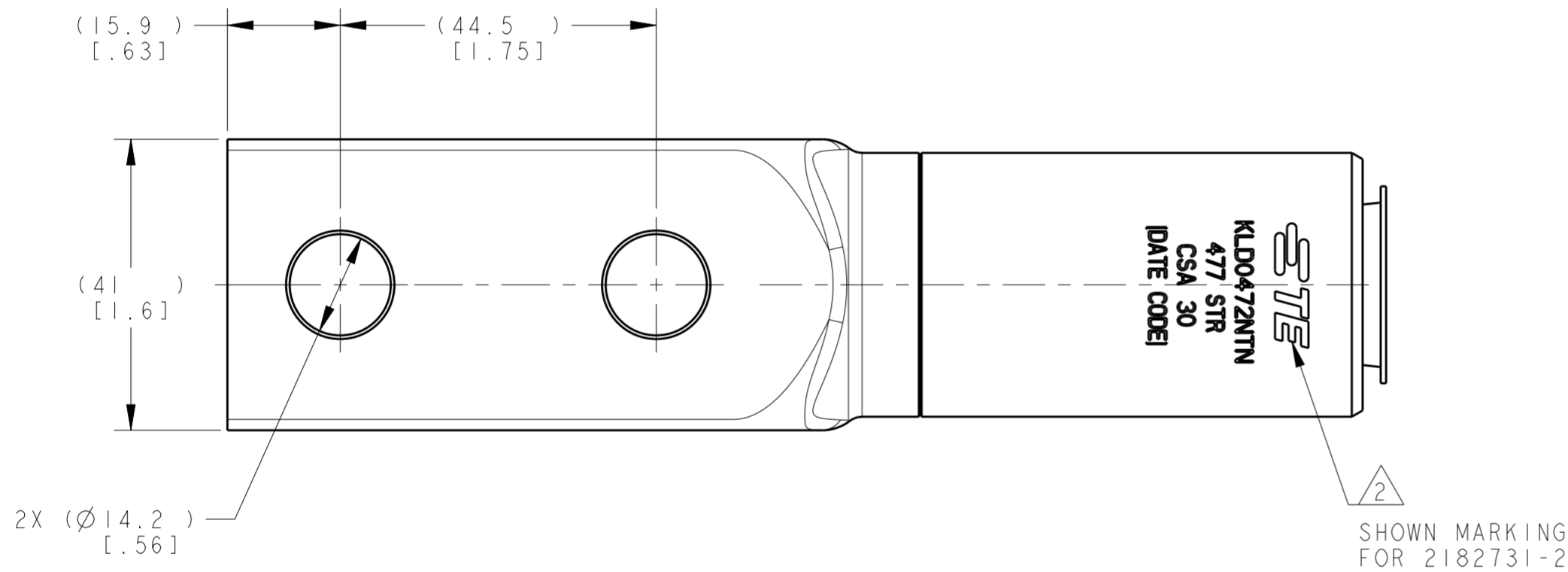


THIS DRAWING IS UNPUBLISHED. RELEASED FOR PUBLICATION 20
 © COPYRIGHT 20 BY - ALL RIGHTS RESERVED.

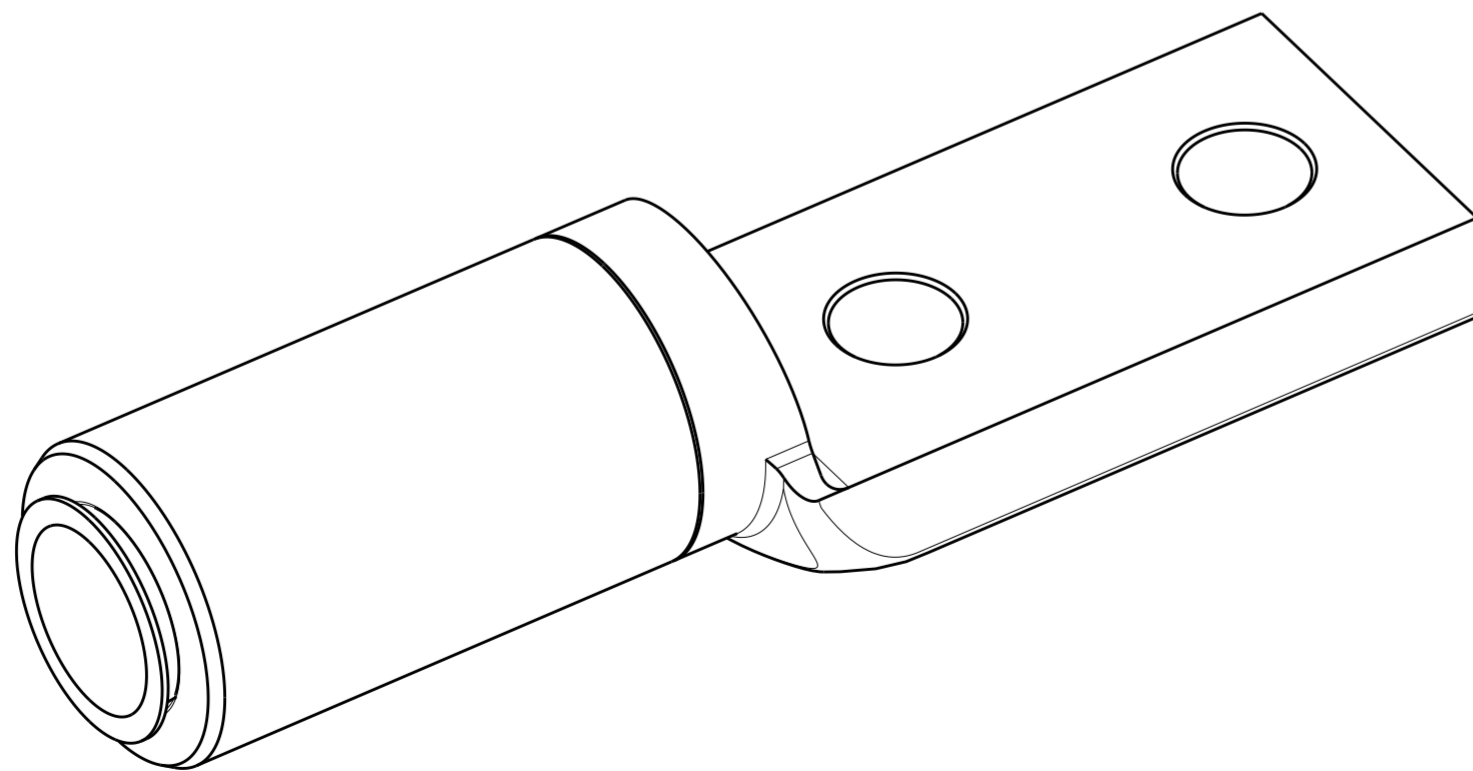
REVISIONS				
P	LTR	DESCRIPTION	DATE	APVD
A		INITIAL REL. PER LC20-0093-17	30AUG2017	JG BJ
B		LC20-0031-18 / ECO-18-004486	04APR2018	DM BJ
C		LC20-0048-18 / ECO-18-006178	27APR2018	DM BJ
E		LC20-0090-18 / ECO-18-013899	27SEP2018	DM BJ



- ACCOMMODATES:
477 STANDARD STRANDED (Ø20.12 [.792 DIA])
CONDUCTORS TO 2 HOLE NEMA PAD.
- MARKING:
SEE TABLE
- HARDNESS: SOFT TEMPERED.
- ALL DIMENSIONS ARE FOR REFERENCE ONLY.
- CONNECTOR CONTAINS FACTORY APPLIED
ANTI-OXIDE INHIBITOR.
- RECOMMENDED PRESS TONNAGE:
15 TON (12 TON MIN).
- INSTALLATION INSTRUCTION SHEET:
408-32266.



ELECTRO-TIN PLATED	STE KLD0472NTN 477 STR CSA 30 [DATE CODE]	KLD0472NTN	-	2182731-2
NONE	STE KLD0472N 477 STR CSA 30 [DATE CODE]	KLD0472N	1060066	2182731-1
FINISH	MARKING	CATALOG NO.	SAP NO.	PART NO.



1	1	CAP, PLASTIC	3
A/R	A/R	INHIBITOR	2
1	-	TIN PLATED	COMPRESSION LUG, ALUM ALLOY
-	1	UNPLATED	
-2	-1	DESCRIPTION	ITEM NO
QTY		PARTS LIST	

THIS DRAWING IS A CONTROLLED DOCUMENT.

DIMENSIONS: mm [INCH]	TOLERANCES UNLESS OTHERWISE SPECIFIED: 0 PLC ± 1 PLC ± 2 PLC ± 3 PLC ± 4 PLC ± ANGLES ± FINISH	DWN J. GUPPY 29AUG2017 CHK A. BULZA 05SEP2017 APVD B. JOHNSON 05SEP2017	STE TE Connectivity
MATERIAL SEE BOM	SEE BOM	PRODUCT SPEC APPLICATION SPEC WEIGHT	NAME COMPRESSION TERMINAL, ALUMINUM, 477 STRANDED CONDUCTOR TO 2 HOLE NEMA PAD
CUSTOMER DRAWING		SIZE A2 CAGE CODE 00779 DRAWING NO. C-2182731	RESTRICTED TO
SCALE NTS		SHEET 1 OF 1	REV E