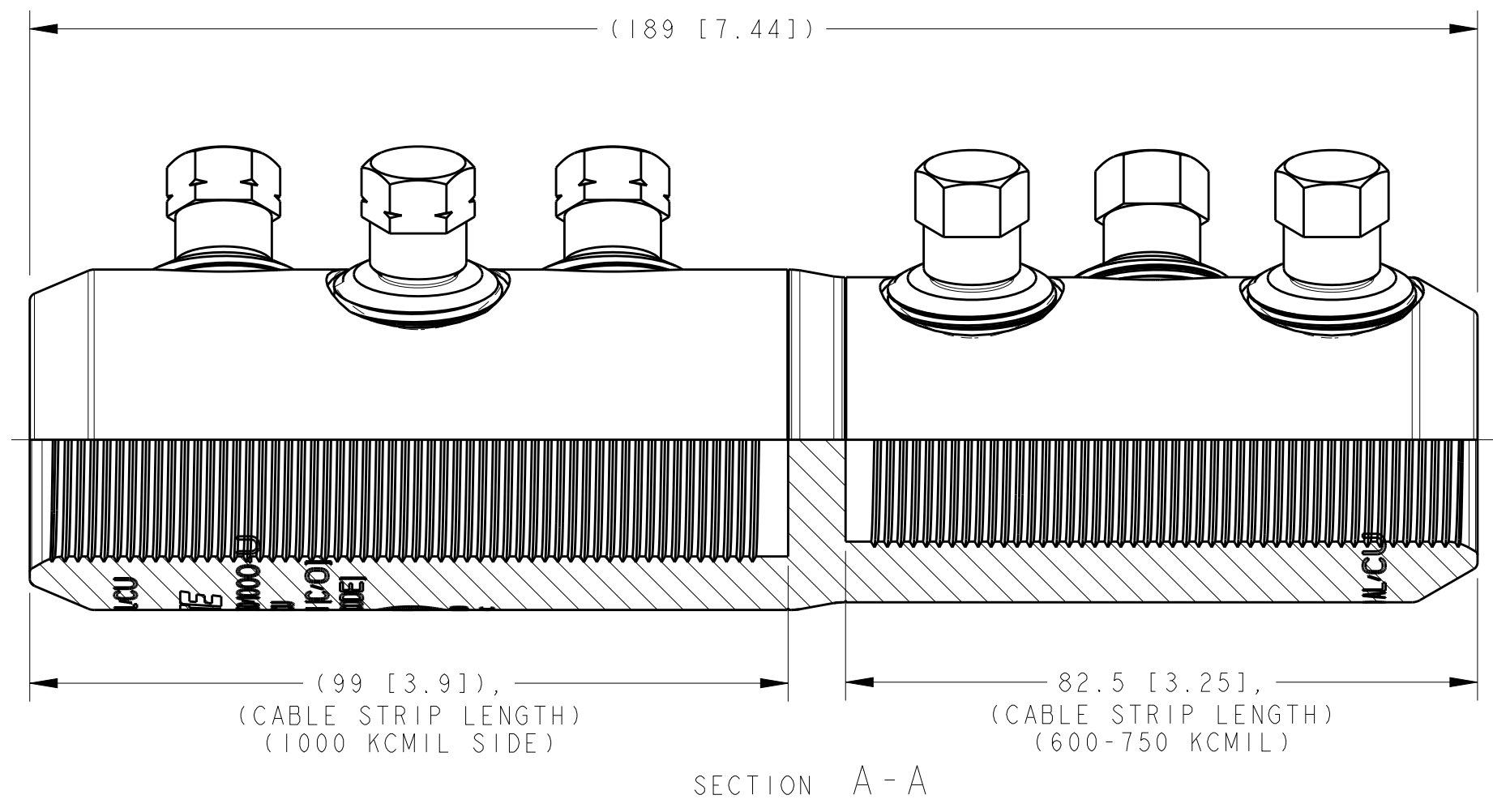
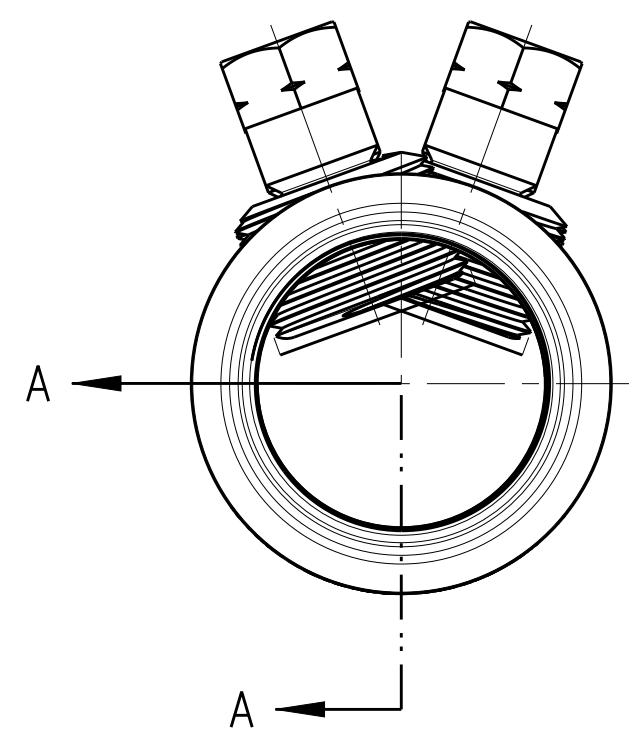


THIS DRAWING IS UNPUBLISHED. RELEASED FOR PUBLICATION 20
 © COPYRIGHT 20 BY - ALL RIGHTS RESERVED.

REVISIONS				
P	LTR	DESCRIPTION	DATE	APVD
A		INITIAL REL. PER LC20-0096-17	23OCT2017	DM BJ
B		LC20-0072-18 / ECO-18-015454	15OCT2018	DM BJ
C		LC20-0007-20 / ECO-20-000939	21JAN2020	DM BJ
D		LC20-0070-20 / ECO-20-010394	23JUL2020	DM BJ

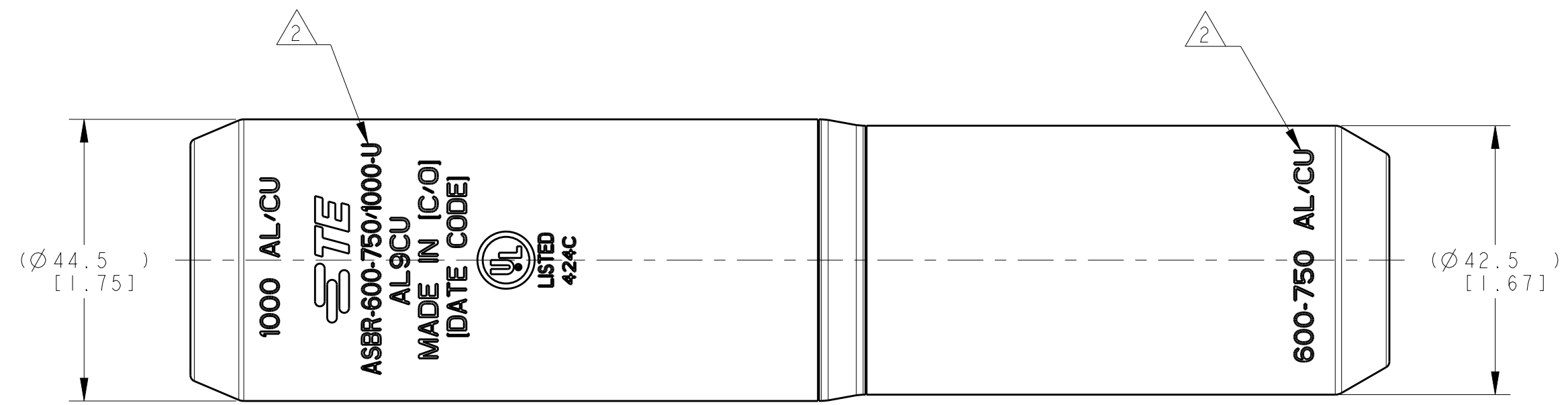


1. ACCOMMODATES:
 SIDE 1:
 1000 KCMIL COMPACT Ø26.92 [1.060 DIA] TO
 1000 KCMIL STANDARD Ø29.26 [1.152 DIA]
 SIDE 2:
 600 KCMIL COMPACT Ø20.65 [0.813 DIA] TO
 750 KCMIL STANDARD Ø25.35 [1.998 DIA]
 ALUMINUM OR COPPER CONDUCTORS.

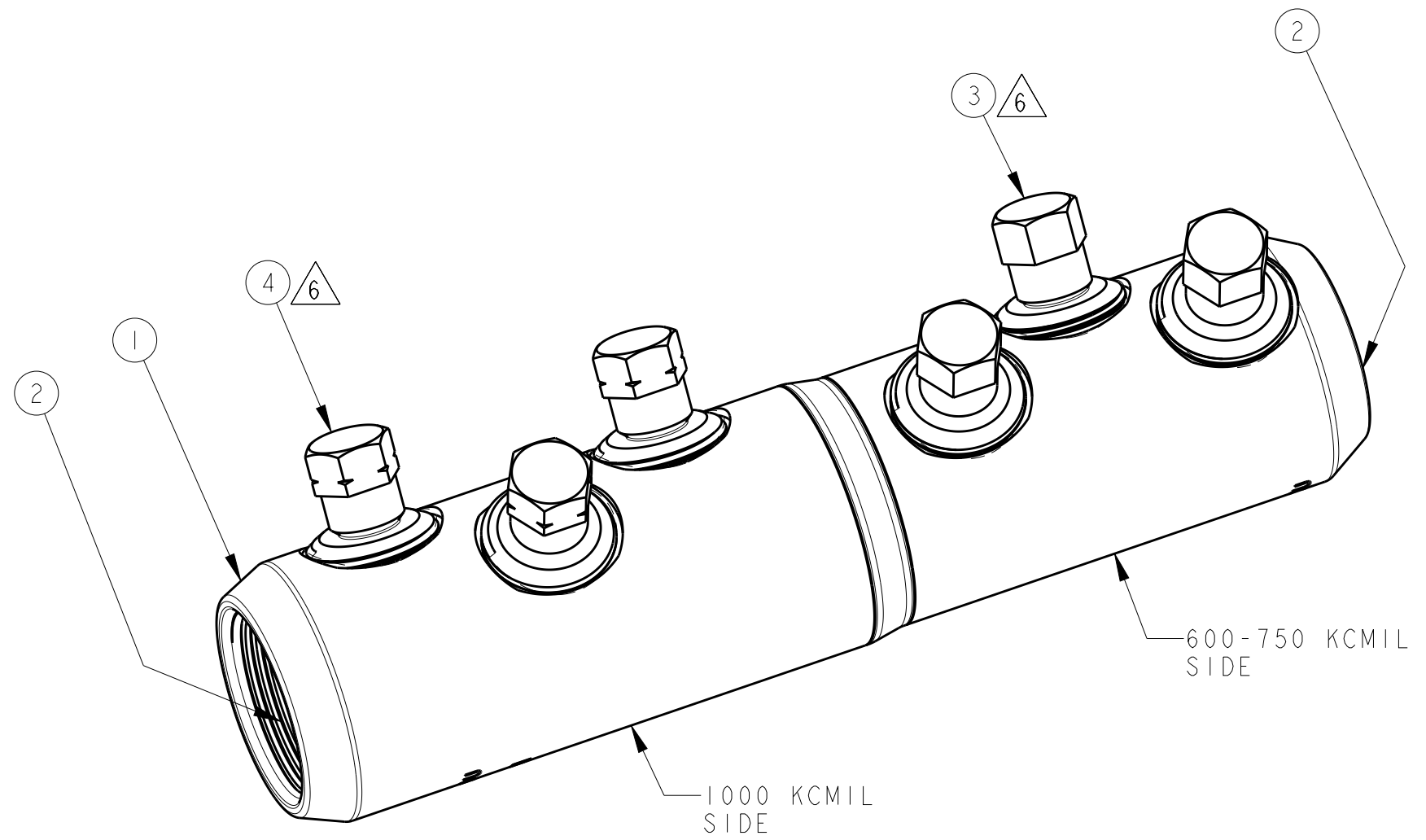
2. MARKING:
STE
 ASBR-600-750/1000-U
 AL9CU
 600-750 AL/CU
 1000 AL/CU
 MADE IN [COUNTRY OF ORIGIN]
 [DATE CODE]



3. ALL DIMENSIONS ARE FOR REFERENCE ONLY.
 4. CONNECTOR CONTAINS FACTORY APPLIED ANTI-OXIDE INHIBITOR.
 5. FINISH: ELECTRO-TIN PLATED.
 6. INSTALL BOLTS WITH 13 mm [1/2 inch] HEX SOCKET.



ASBR-600-750/1000-U	2182734-1
CATALOG NO	PART NO



QTY	DESCRIPTION	ITEM NO
1	INSTALLATION INSTRUCTION SHEET, 408-32279	6
1	ABRASIVE TAPE	5
3	MULTI SHEAR HEAD BOLT, M22 SIZE, 1000 KCMIL SIDE, ALUMINUM ALLOY	4
3	MULTI SHEAR HEAD BOLT, M22 SIZE, 600-750 KCMIL SIDE, ALUMINUM ALLOY	3
A/R	INHIBITOR	2
1	CONNECTOR SLEEVE BODY, ALUMINUM ALLOY, TIN PLATED	1

THIS DRAWING IS A CONTROLLED DOCUMENT.

DIMENSIONS: mm [INCH]	TOLERANCES UNLESS OTHERWISE SPECIFIED: 0 PLC ± 1 PLC ± 2 PLC ± 3 PLC ± 4 PLC ± ANGLES ± FINISH	DWN: 05SEP2017 D. MURUGIAH CHK: 20OCT2017 A. BULZA APVD: 23OCT2017 B. JOHNSON	TE Connectivity NAME: SHEARBOLT REDUCER SLEEVE CONNECTOR, ALUMINUM, SOLID OIL STOP, 1000 KCMIL TO 600-750 KCMIL SIZE: A2 CAGE CODE: 00779 DRAWING NO: C-2182734 RESTRICTED TO: -
MATERIAL: SEE BOM	FINISH: SEE BOM	PRODUCT SPEC: - APPLICATION SPEC: - WEIGHT: -	

CUSTOMER DRAWING SCALE: NTS SHEET: 1 OF 1 REV: D