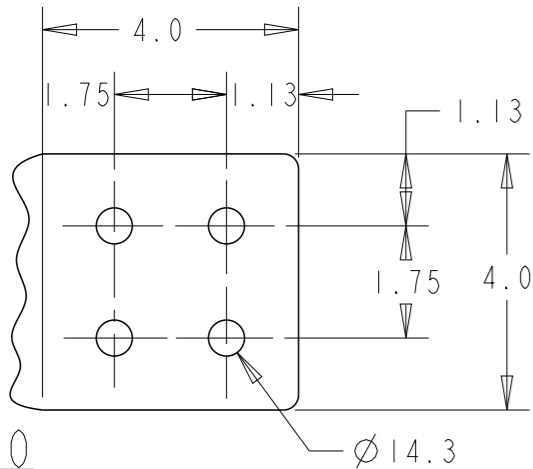


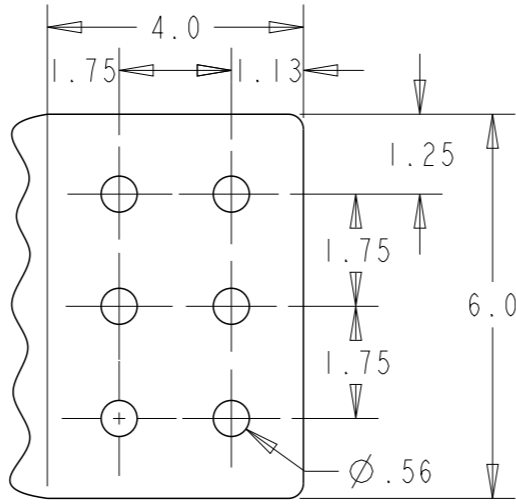
© 2019 TE Connectivity. All Rights Reserved.

REVISIONS

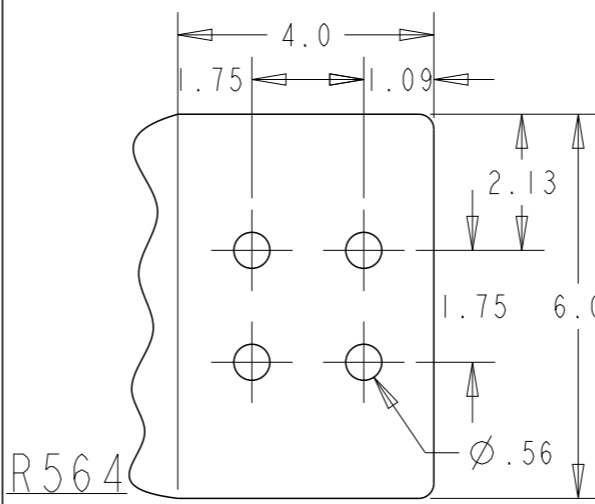
P	LTR	DESCRIPTION	DATE	DWN	APVD
A1		LC20-0031-20 / ECO-20-006723	13MAY2020	JG	BJ
B		PAD THICKNESS DIM D ADDED IN TABLE	22OCT2021	RS	CG
C		PART NUMBER 2182863-8 ADDED IN TABLE	26OCT2021	MP	JG
D		2182863-9 ADDED IN TABLE	02AUG2024	SR	CG



C290



R529

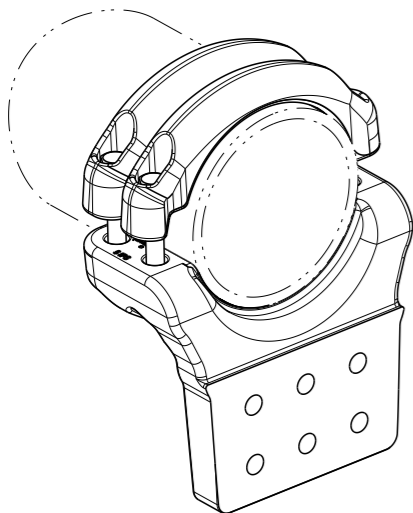
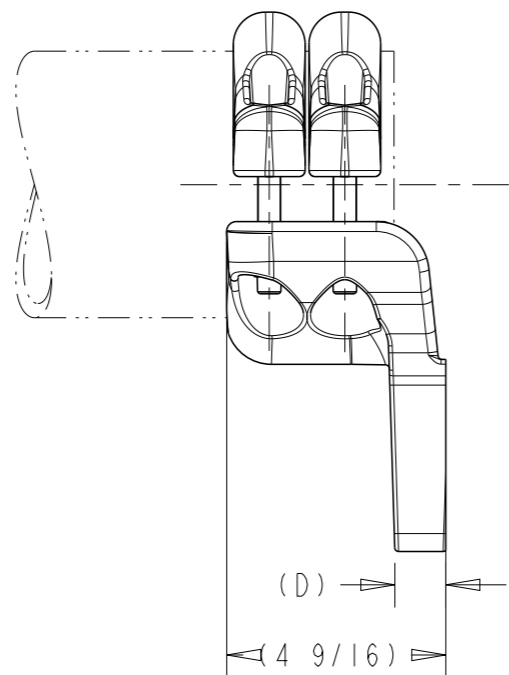
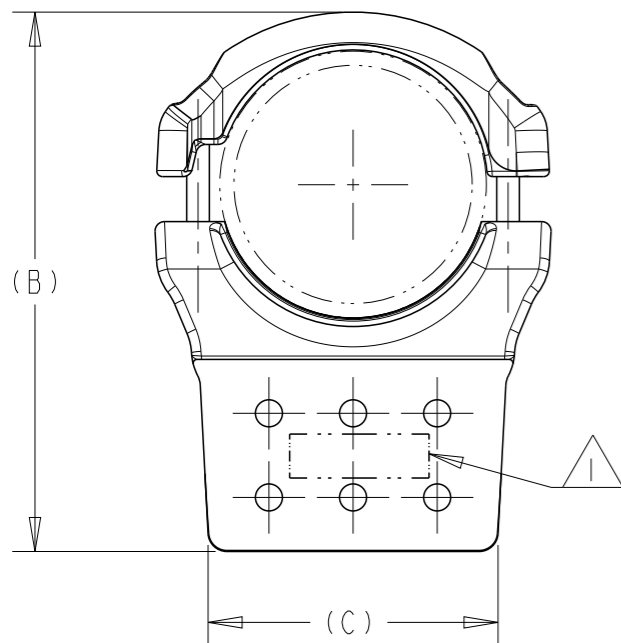


R564

MARKING/MARQUAGE :



[PART NUMBER]/[PART NUMBER]
 [CATALOG DESCRIPTION]/[DESIGNATION PRODUIT]
 [PIPE SIZE]/[TYPE CONDUCTEUR]
 [BATCHCODE]/[NUMERO LOT PRODUCTION]



SCALE 1:5

M12 STAINLESS STEEL BOLT: 44 1bf

D	C	B	A	DESCRIPTION	PIPE SIZE	PART NO.	WEIGHT(lbs)
1.06	4	11 1/4	8 1/4	5 TTPE 82 T5"IPS 100 C290	5" IPS	2182863-9	3.7
1.06	6	12	9 1/2	5 TTPE 82 T6"IPS 100X150 R564	6" IPS	2182863-8	8.8
1.42	6	12	9 1/2	5 TTPE 82 T6"EHPS 100X150 R529	6" EHPS	2182863-7	10.6
1.06	6	12	9 1/2	5 TTPE 82 T6"IPS 100X150 R529	6" IPS	2182863-6	8.8
1.06	6	11 1/4	8 1/4	5 TTPE 82 T5"IPS 100X150 R529	5" IPS	2182863-5	8.4
.98	4	10 1/4	7	5 TTPE 82 T4"IPS 100 C290	4" IPS	2182863-4	6.6
.70	4	9 5/8	6 1/2	5 TTPE 82 T3"1/2IPS 100 C290	3"1/2 IPS	2182863-3	5.6
.67	4	9 1/2	6 1/8	5 TTPE 82 T3"IPS 100 C290	3" IPS	2182863-2	5.2
.67	4	8 3/8	5 1/8	5 TTPE 82 T2"1/2IPS 100 C290	2"1/2 IPS	2182863-1	3.9

THIS DRAWING IS A CONTROLLED DOCUMENT.

DWN J. GUPPY 09SEP2019

CHK A. BULZA 16SEP2019

APVD B. JOHNSON 16SEP2019

PRODUCT SPEC

APPLICATION SPEC

WEIGHT

CUSTOMER DRAWING



TE Connectivity

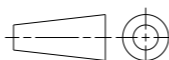
NAME BOLTED 90 DEGREE TERMINAL CONNECTOR
 2 1/2 IPS TO 6 IPS CONDUCTOR TO
 NEMA PAD, SIMABUS

SIZE A3 CAGE CODE 00779 DRAWING NO C-2182863 RESTRICTED TO

SCALE NTS SHEET 1 OF 2 REV D

DIMENSIONS: INCHES

TOLERANCES UNLESS OTHERWISE SPECIFIED:



0 PLC	±
1 PLC	±
2 PLC	±
3 PLC	±
4 PLC	±
ANGLES	±
FINISH	-

MATERIAL ALU ALLOY

© 2019 TE Connectivity. All Rights Reserved.

REVISIONS

P	LTR	DESCRIPTION	DATE	DWN	APVD
-	-	SEE SHEET 1			

C290

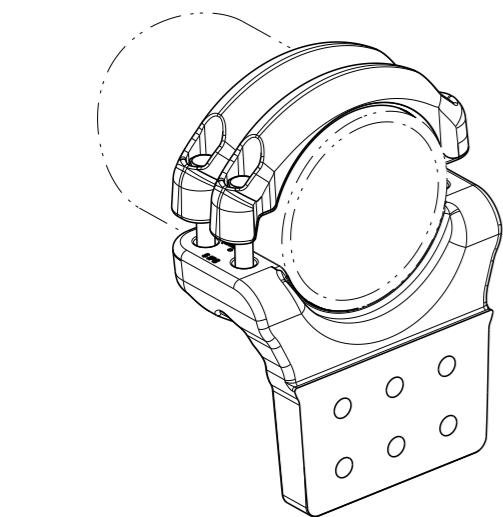
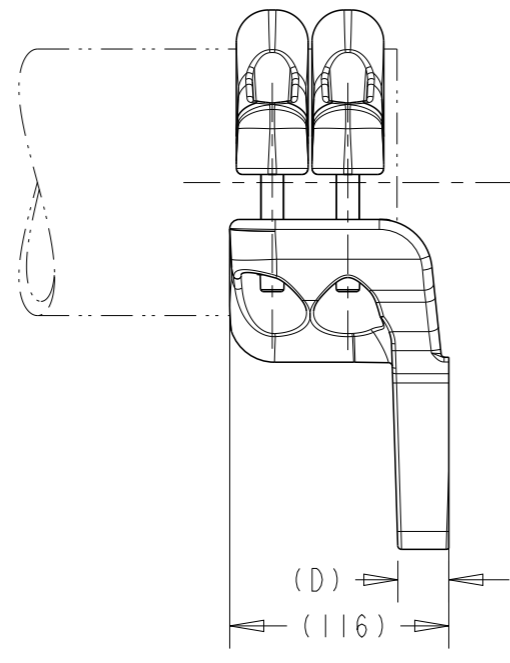
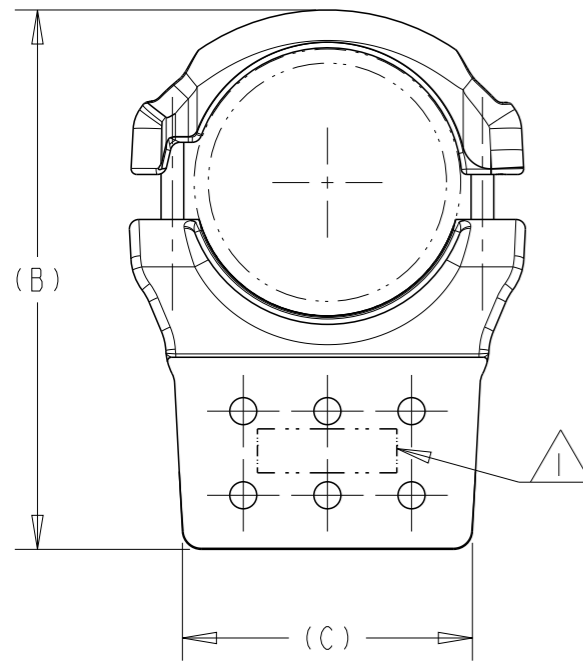
R529

R564

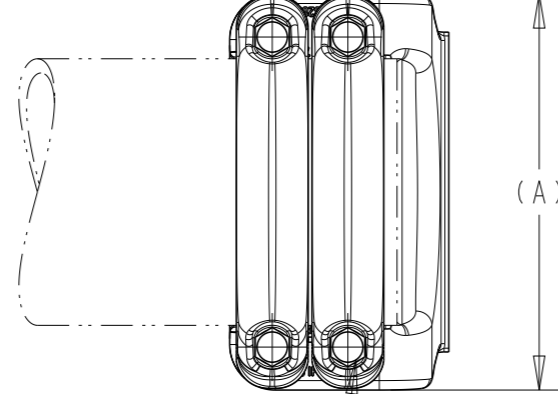
MARKING/MARQUAGE:



[PART NUMBER]/[PART NUMBER]
 [CATALOG DESCRIPTION]/[DESIGNATION PRODUIT]
 [PIPE SIZE]/[TYPE CONDUCTEUR]
 [BATCHCODE]/[NUMERO LOT PRODUCTION]



SCALE 1:5

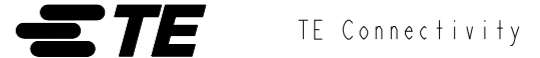


M12 STAINLESS STEEL
 BOLT: 60 Nm

27	101.6	285	210	5 TTPE 82 T5"IPS 100 C290	141.3	2182863-9	3.7
27	152.4	307	240	5 TTPE 82 T6"IPS 100X150 R564	168.3	2182863-8	4.01
36	152.4	307	240	5 TTPE 82 T6"EHPS 100X150 R529	168.3	2182863-7	4.80
27	152.4	307	240	5 TTPE 82 T6"IPS 100X150 R529	168.3	2182863-6	4.01
27	152.4	285	210	5 TTPE 82 T5"IPS 100X150 R529	141.3	2182863-5	3.80
25	101.6	261	179	5 TTPE 82 T4"IPS 100 C290	114.3	2182863-4	2.98
17.7	101.6	246	165	5 TTPE 82 T3"1/2IPS 100 C290	101.6	2182863-3	2.53
17	101.6	240	155	5 TTPE 82 T3"IPS 100 C290	88.9	2182863-2	2.37
17	101.6	213	130	5 TTPE 82 T2"1/2IPS 100 C290	73.0	2182863-1	1.78
D	C	B	A	DESCRIPTION	PIPE O.D.	PART NO.	WEIGHT(kg)

THIS DRAWING IS A CONTROLLED DOCUMENT.

DWN J. GUPPY 09SEP2019
 CHK A. BULZA 16SEP2019
 APVD B. JOHNSON 16SEP2019



NAME BOLTED 90 DEGREE TERMINAL CONNECTOR
 2 1/2 IPS TO 6 IPS CONDUCTOR TO
 NEMA PAD, SIMABUS

DIMENSIONS:	TOLERANCES UNLESS OTHERWISE SPECIFIED:
mm	
0 PLC	±
1 PLC	±
2 PLC	±
3 PLC	±
4 PLC	±
ANGLES	±
FINISH	-

PRODUCT SPEC -
 APPLICATION SPEC -
 WEIGHT -

SIZE	CAGE CODE	DRAWING NO	RESTRICTED TO
A3	00779	C-2182863	-

CUSTOMER DRAWING SCALE NTS SHEET 2 OF 2 REV D