

REVISIONS					
P	LTR	DESCRIPTION	DATE	DWN	APVD
C		LC20-0092-20 / ECO-20-013986	05OCT2020	JG	BJ

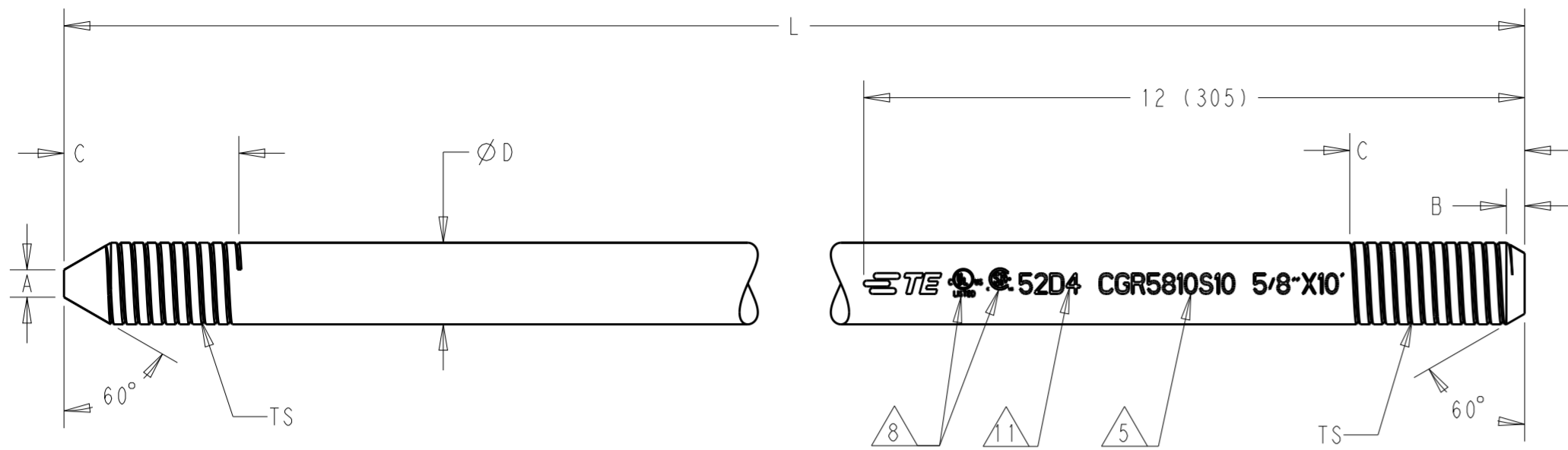


FIGURE 1  
(WITH cULus & CSA LOGO)

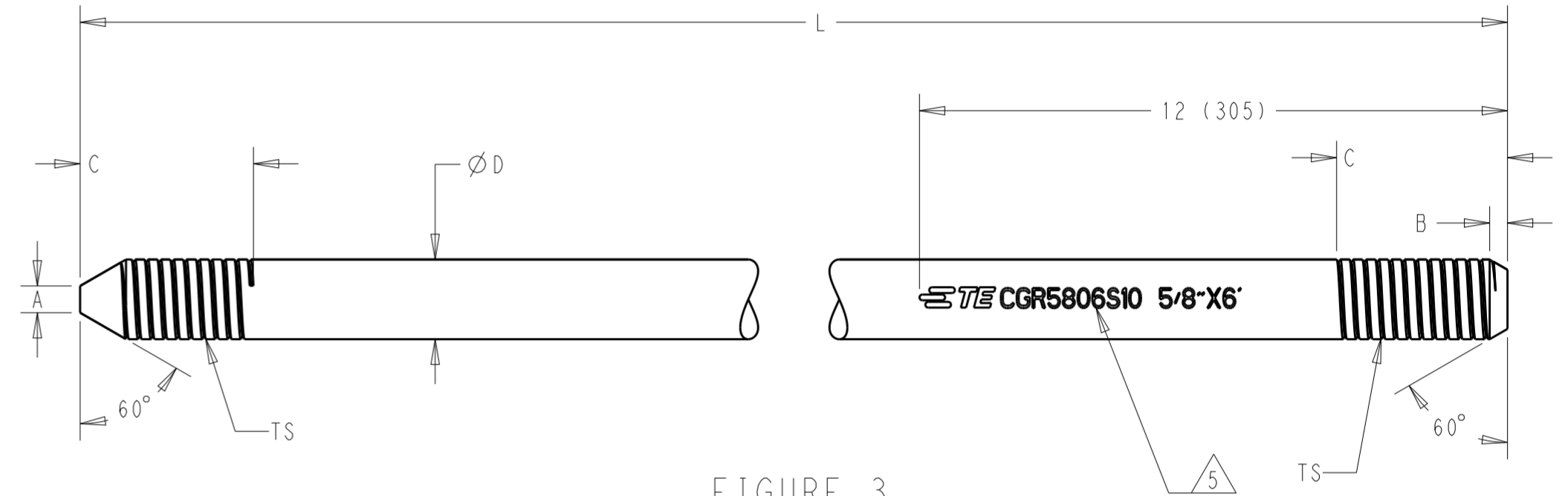


FIGURE 3  
(WITHOUT UL LOGO)

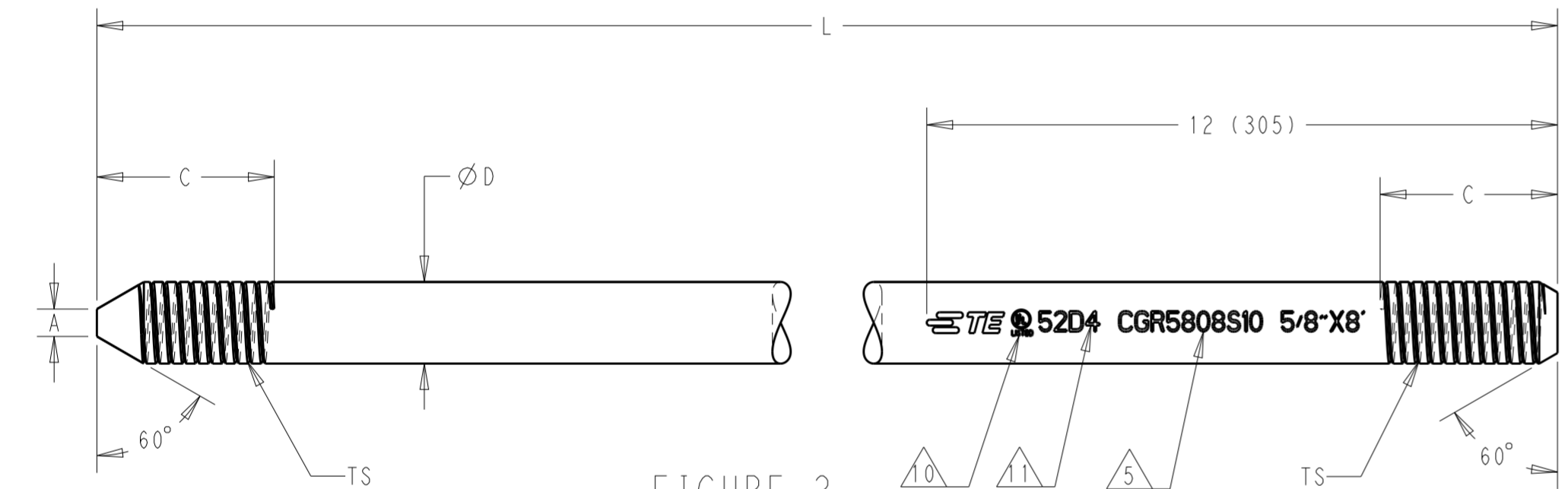


FIGURE 2  
(WITH UL LOGO)

- 1. COPPER PLATING THICKNESS:  
10 mil (254 microns) MIN.
- 2. cULus & CSA LISTING FOR 10' RODS.
- 3. UL LISTING FOR 8' RODS.

1	7	12.65 (5.74)	10 (3050)	3/4-10 UNC	1.250 (31.8)	.125 (3.2)	.250 (6.4)	.681 (17.3)	3/4	CGR3410S10	EN3751-205
2	9	10.05 (4.56)	8 (2440)	3/4-10 UNC	1.250 (31.8)	.125 (3.2)	.250 (6.4)	.681 (17.3)	3/4	CGR3408S10	EN3751-204
3		7.47 (3.39)	6 (1830)	3/4-10 UNC	1.250 (31.8)	.125 (3.2)	.250 (6.4)	.681 (17.3)	3/4	CGR3406S10	EN3751-203
		6.26 (2.84)	5 (1525)	3/4-10 UNC	1.250 (31.8)	.125 (3.2)	.250 (6.4)	.681 (17.3)	3/4	CGR3405S10	EN3751-202
		5.05 (2.29)	4 (1220)	3/4-10 UNC	1.250 (31.8)	.125 (3.2)	.250 (6.4)	.681 (17.3)	3/4	CGR3404S10	EN3751-201
1	7	8.51 (3.86)	10 (3050)	5/8-11 UNC	1.188 (30.2)	.125 (3.2)	.188 (4.8)	.559 (14.2)	5/8	CGR5810S10	EN3751-200
2	9	6.83 (3.10)	8 (2440)	5/8-11 UNC	1.188 (30.2)	.125 (3.2)	.188 (4.8)	.559 (14.2)	5/8	CGR5808S10	EN3751-199
3		5.07 (2.30)	6 (1830)	5/8-11 UNC	1.188 (30.2)	.125 (3.2)	.188 (4.8)	.559 (14.2)	5/8	CGR5806S10	EN3751-198
		4.23 (1.92)	5 (1525)	5/8-11 UNC	1.188 (30.2)	.125 (3.2)	.188 (4.8)	.559 (14.2)	5/8	CGR5805S10	EN3751-197
		3.37 (1.53)	4 (1220)	5/8-11 UNC	1.188 (30.2)	.125 (3.2)	.188 (4.8)	.559 (14.2)	5/8	CGR5804S10	EN3751-196
1	7	6.75 (3.06)	10 (3050)	9-16-12 UNC	1.063 (27.0)	.094 (2.4)	.188 (4.8)	.500 (12.7)	1/2	CGR1210S10	EN3751-195
2	9	5.40 (2.45)	8 (2440)	9-16-12 UNC	1.063 (27.0)	.094 (2.4)	.188 (4.8)	.500 (12.7)	1/2	CGR1208S10	EN3751-194
2		4.08 (1.85)	6 (1830)	9-16-12 UNC	1.063 (27.0)	.094 (2.4)	.188 (4.8)	.500 (12.7)	1/2	CGR1206S10	EN3751-193
		3.40 (1.54)	5 (1525)	9-16-12 UNC	1.063 (27.0)	.094 (2.4)	.188 (4.8)	.500 (12.7)	1/2	CGR1205S10	EN3751-192
		2.73 (1.24)	4 (1220)	9-16-12 UNC	1.063 (27.0)	.094 (2.4)	.188 (4.8)	.500 (12.7)	1/2	CGR1204S10	EN3751-191
FIGURE		WEIGHT lbs (kg)	L FEET (mm)	THREAD SIZE (TS)	C	B	A	ØD	NOMINAL DIAMETER	CATALOG NO.	PART NO.

THIS DRAWING IS A CONTROLLED DOCUMENT.		DWN J. GUPPY 26AUG2020	TE Connectivity	
DIMENSIONS: INCHES (mm)		CHK J. OPEL 28SEP2020		
TOLERANCES UNLESS OTHERWISE SPECIFIED:		APVD B. JOHNSON 05OCT2020	NAME GROUND ROD, THREADED COPPER COATED 10 mil (254 microns)	
		PRODUCT SPEC	SIZE   CAGE CODE   DRAWING NO   RESTRICTED TO	
MATERIAL STEEL CORE		APPLICATION SPEC	A2   00779   C-2182935   -	
		WEIGHT	SCALE NTS   SHEET 1 OF 1   REV C	
		CUSTOMER DRAWING		