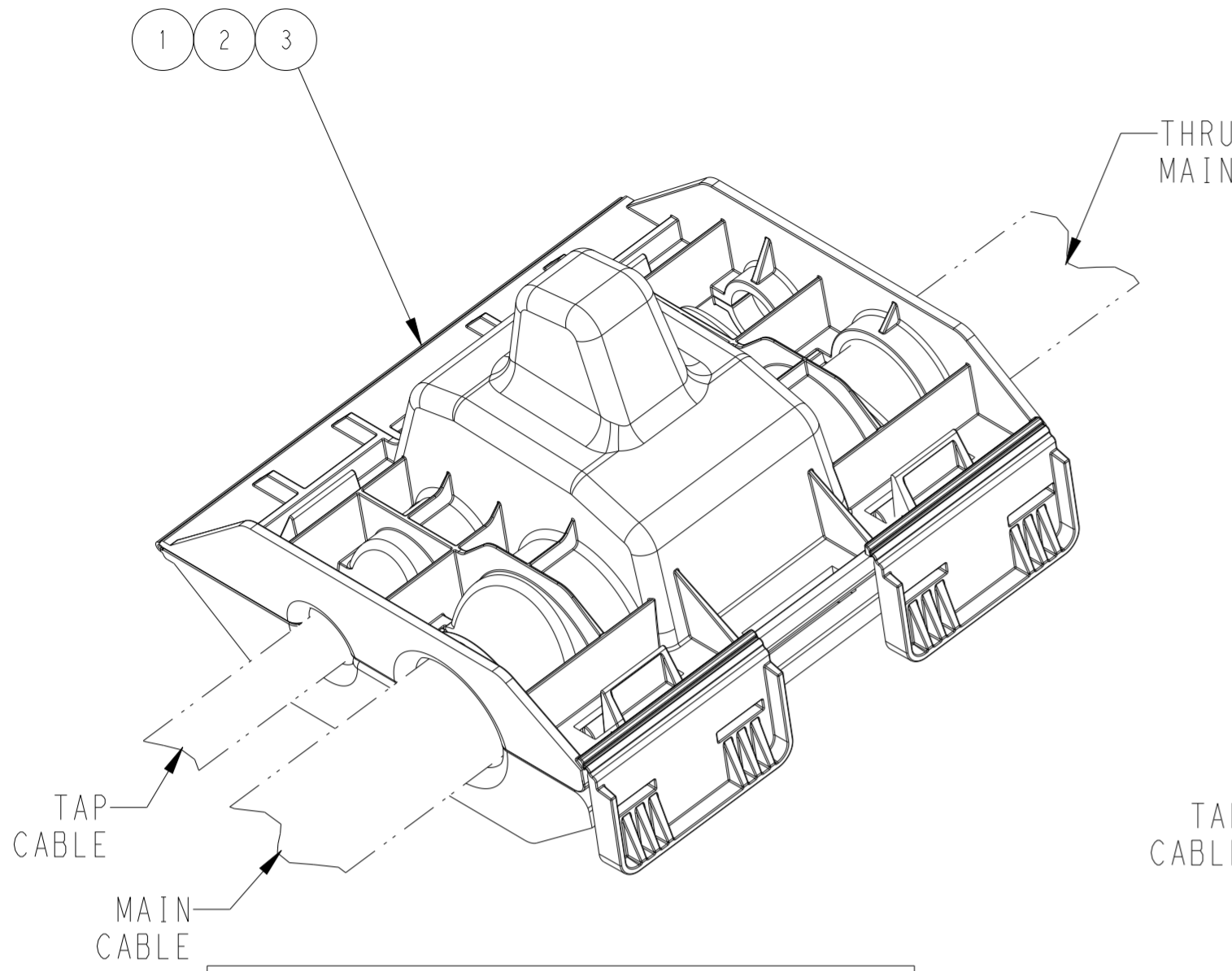
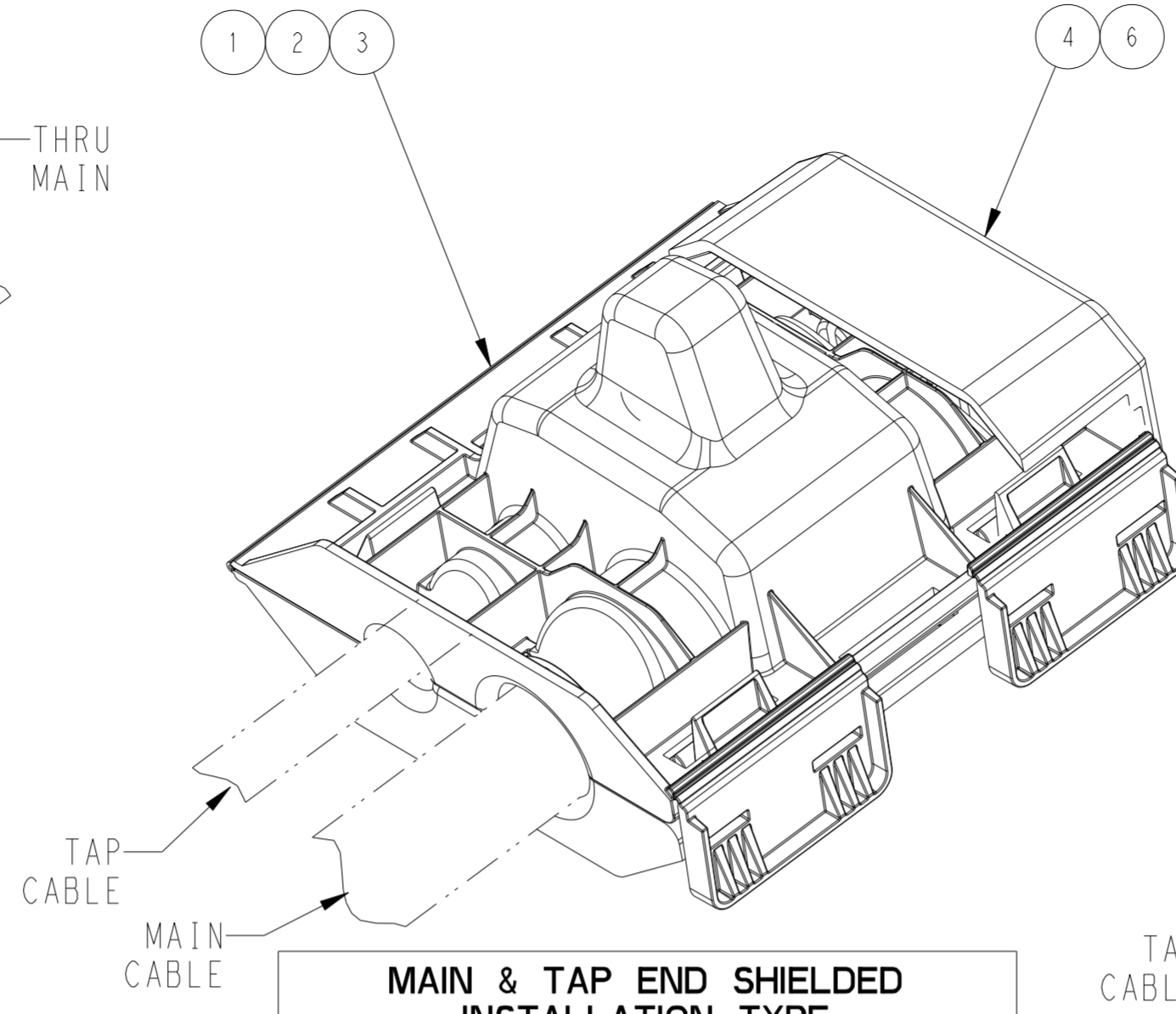


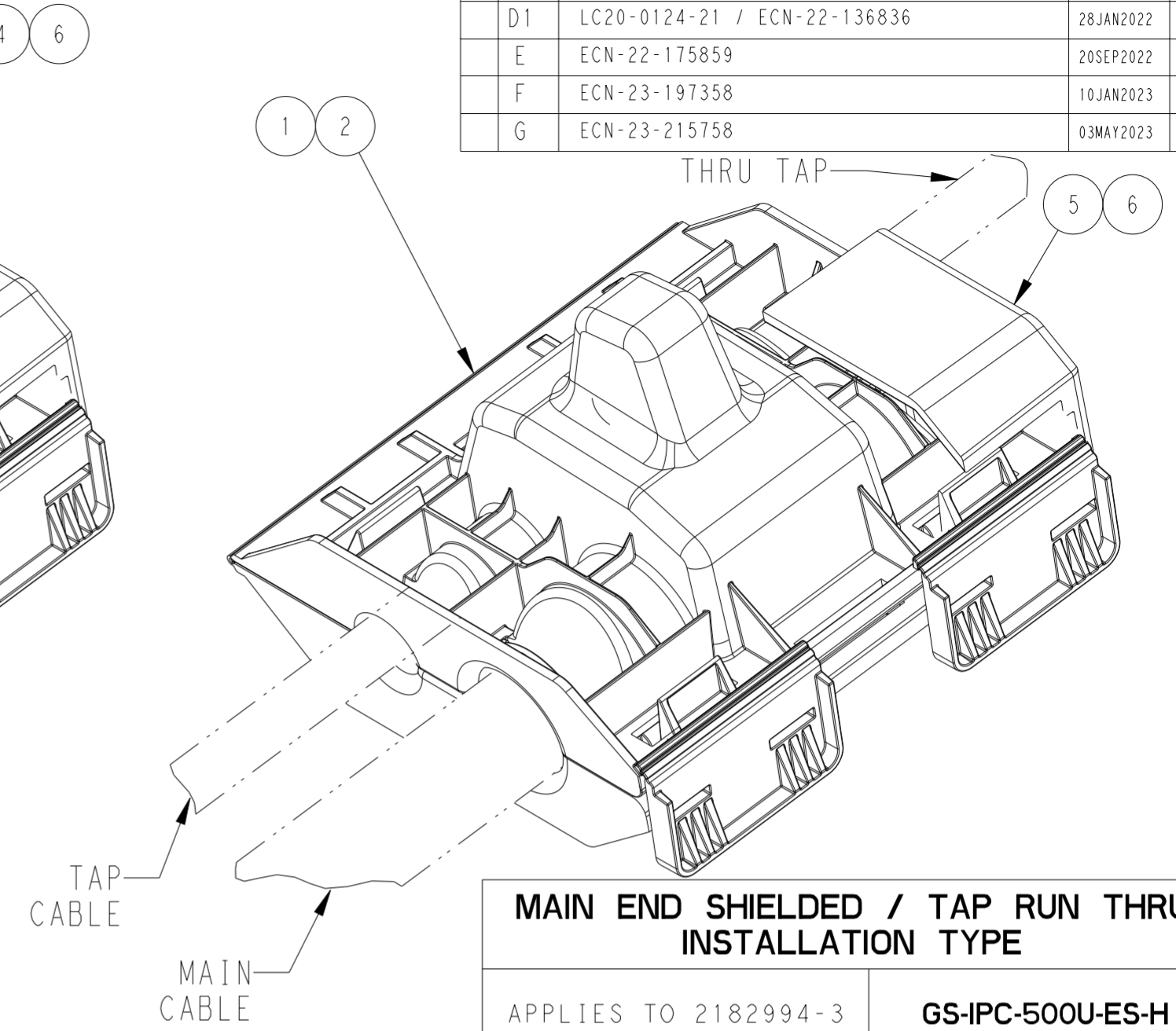
REVISIONS					
P	LTR	DESCRIPTION	DATE	DWN	APVD
D1		LC20-0124-21 / ECN-22-136836	28JAN2022	HM	AG
E		ECN-22-175859	20SEP2022	AN	AG
F		ECN-23-197358	10JAN2023	SR	GP
G		ECN-23-215758	03MAY2023	SR	GP



MAIN RUN THRU / TAP END SHIELDED INSTALLATION TYPE	
APPLIES TO 2182994-1	GS-IPC-500U
APPLIES TO 2182994-4	GS-IPC-500-FLEX
APPLIES TO 2182994-7	GS-IPC-500P



MAIN & TAP END SHIELDED INSTALLATION TYPE	
APPLIES TO 2182994-2	GS-IPC-500U-ES
APPLIES TO 2182994-5	GS-IPC-500-FLEX-ES
APPLIES TO 2182994-8	GS-IPC-500P-ES



MAIN END SHIELDED / TAP RUN THRU INSTALLATION TYPE	
APPLIES TO 2182994-3	GS-IPC-500U-ES-H
APPLIES TO 2182994-6	GS-IPC-500-FLEX-ES-H
APPLIES TO 2182994-9	GS-IPC-500P-ES-H

PTL APPROVED	UL APPROVED	MAIN	TAP	CATALOG NO.	PART NO.
YES	NO	350-500 MCM 185-240 mm ²	#10-#6 awg 6-16 mm ²	GS-IPC-500P-ES-H	2182994-9
NO	YES		#10-#6 awg 6-16 mm ² FLEX	GS-IPC-500P-ES	2182994-8
NO	YES		#10-#6 awg 6-16 mm ²	GS-IPC-500P	2182994-7
				GS-IPC-500-FLEX-ES-H	2182994-6
				GS-IPC-500-FLEX-ES	2182994-5
				GS-IPC-500-FLEX	2182994-4
				GS-IPC-500U-ES-H	2182994-3
				GS-IPC-500U-ES	2182994-2
				GS-IPC-500U	2182994-1

1	2	3	4	5	6	7	8	9	DESCRIPTION	ITEM NO	
1	1	1	1	1	1	1	1	1	PII 408-32287 (EPP-3429)	INSTRUCTION SHEET	7
1	1	-	-	-	-	-	-	-	2428147-1	CAP ES ES-H	6
1	-	-	1	-	-	1	-	-	ES-H-500U	HALF END SHIELD, IPC GEL COVER ASSY	5
-	1	-	-	1	-	-	1	-	ES-500U	END SHIELD, IPC GEL COVER ASSY	4
-	1	1	-	1	1	-	1	1	END CAP, INSULATION PIERCING CONNECTOR		3
-	-	-	1	1	1	-	-	-	SIPC-500-FLEX	INSULATION PIERCING CONNECTOR	2
1	1	1	-	-	-	1	1	1	SIPC-500U		1
1	1	1	-	-	-	-	-	-	GIPC-500P	GEL COVER WITH GEL (PTL)	
-	-	-	1	1	1	1	1	1	GIPC-500U	GEL COVER WITH GEL (UL)	
-9	-8	-7	-6	-5	-4	-3	-2	-1	DESCRIPTION		ITEM NO

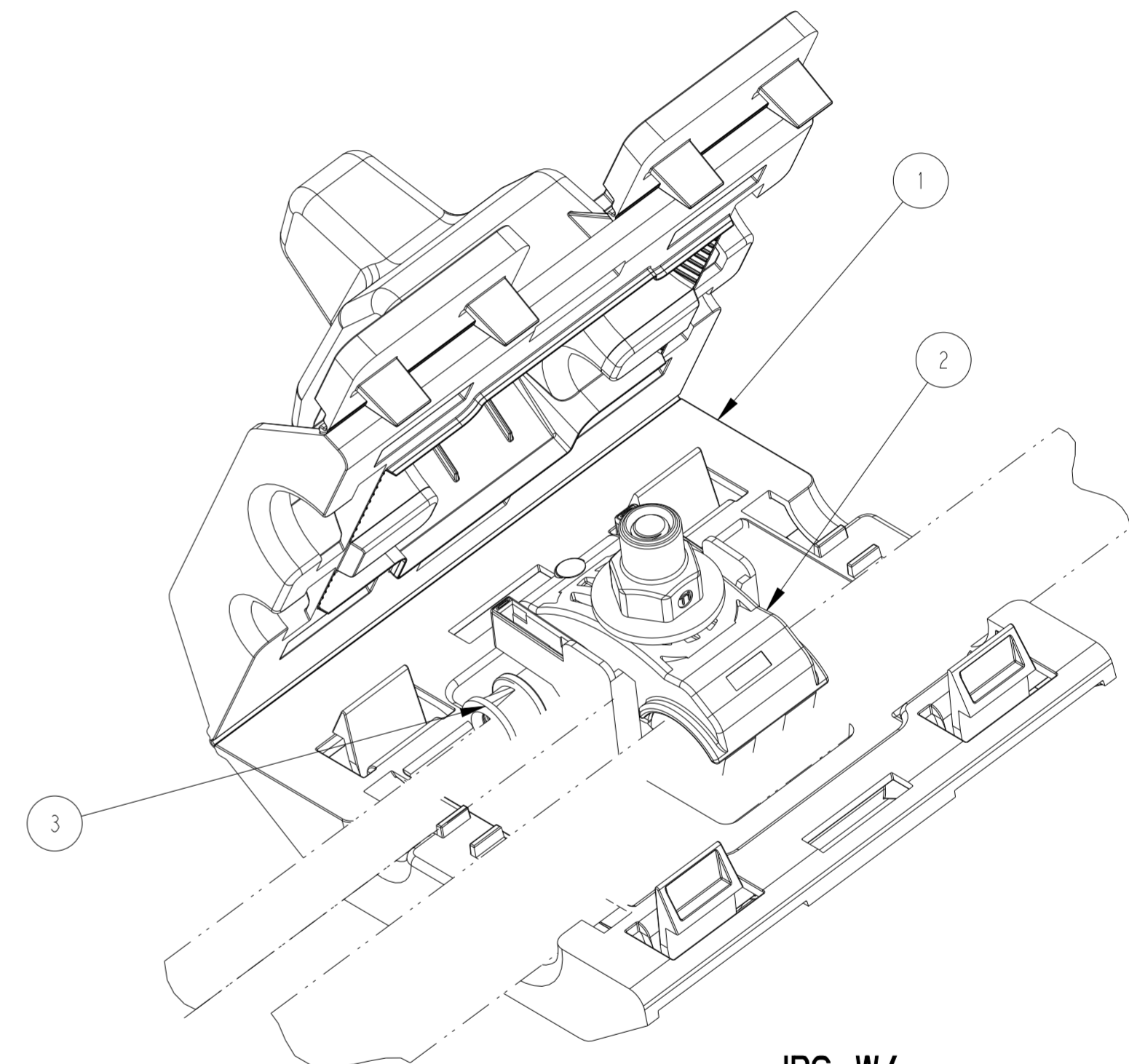
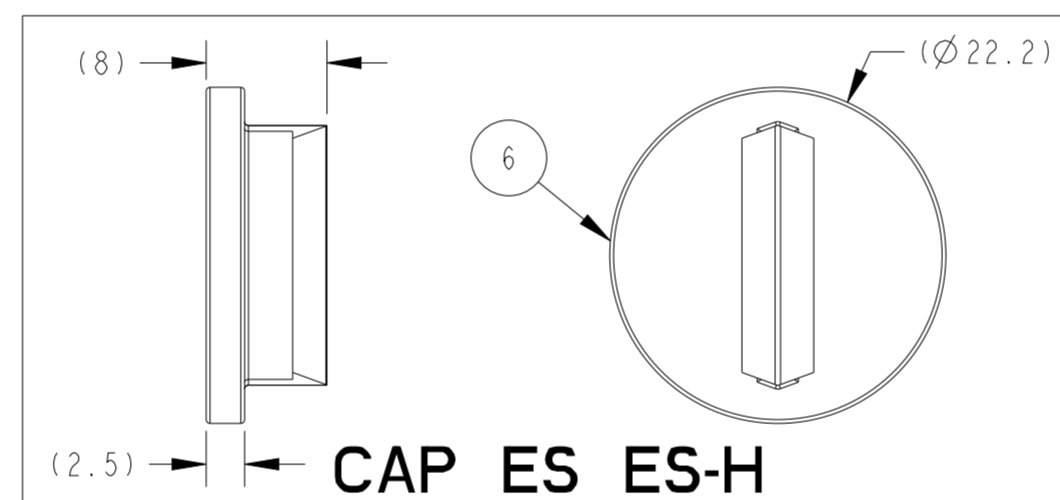
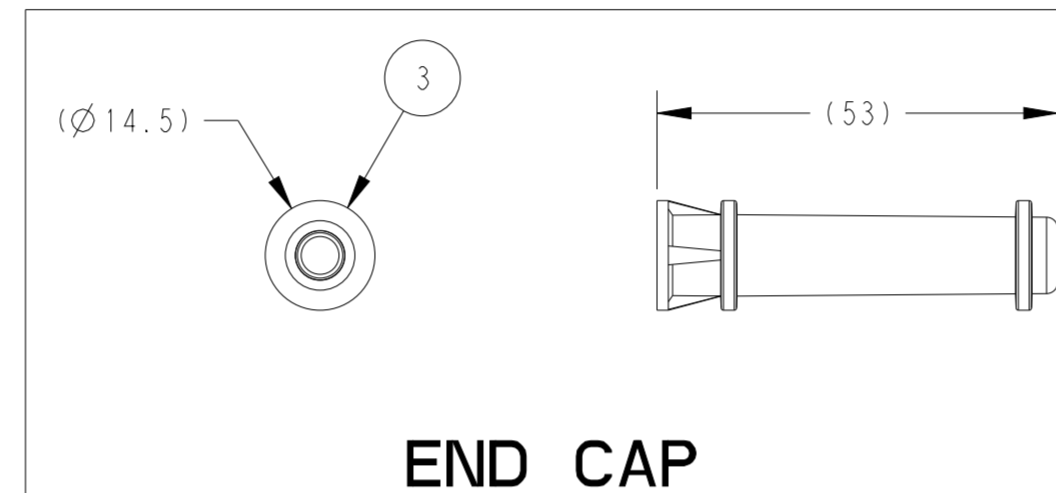
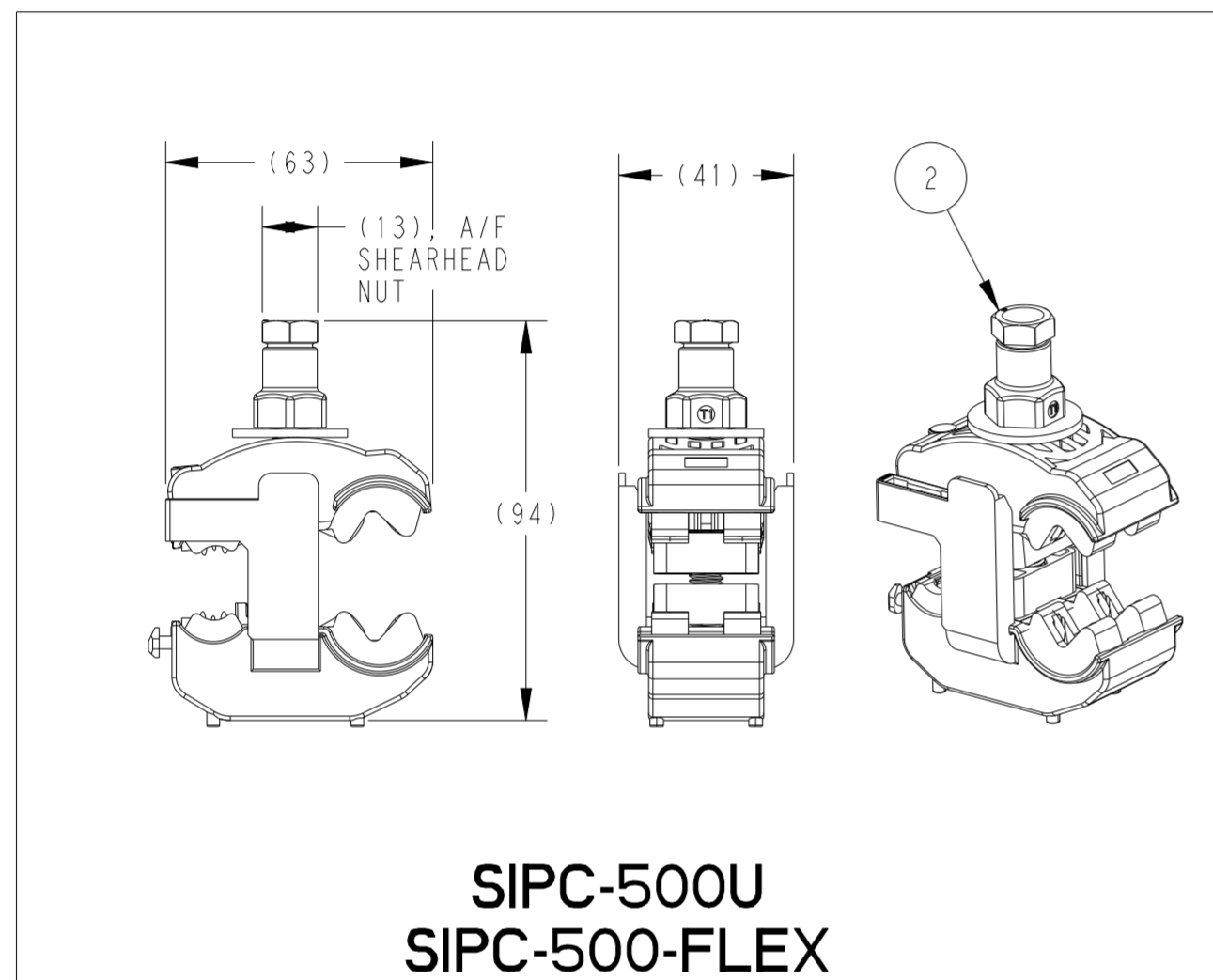
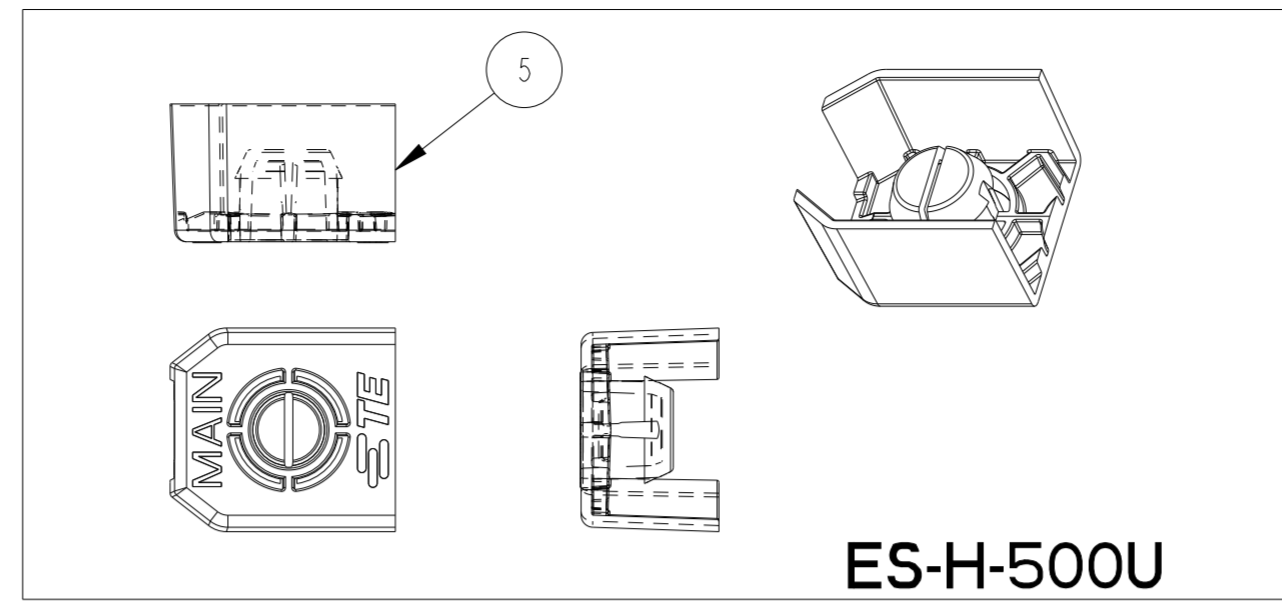
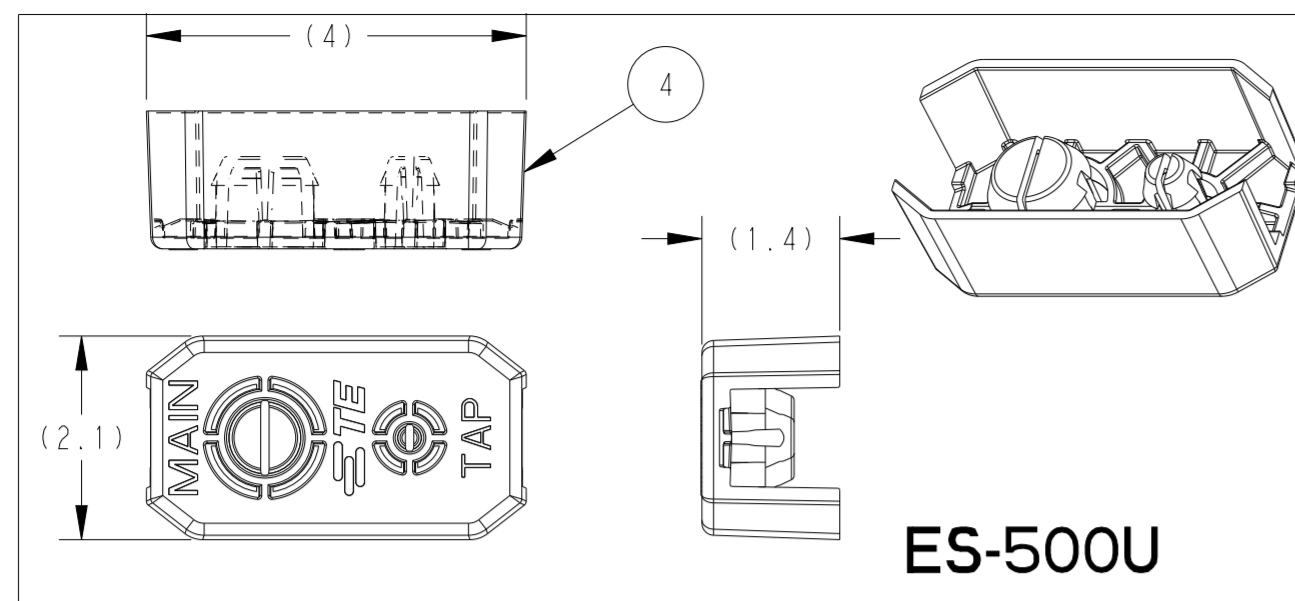
1. ACCOMMODATES:
IPC W/ GEL COVER
MAIN/TAP COMBINATIONS.
SEE DWG & TABLES ON pg 1.
COMPONENT DWGS, SEE pg 2.

THIS DRAWING IS A CONTROLLED DOCUMENT.

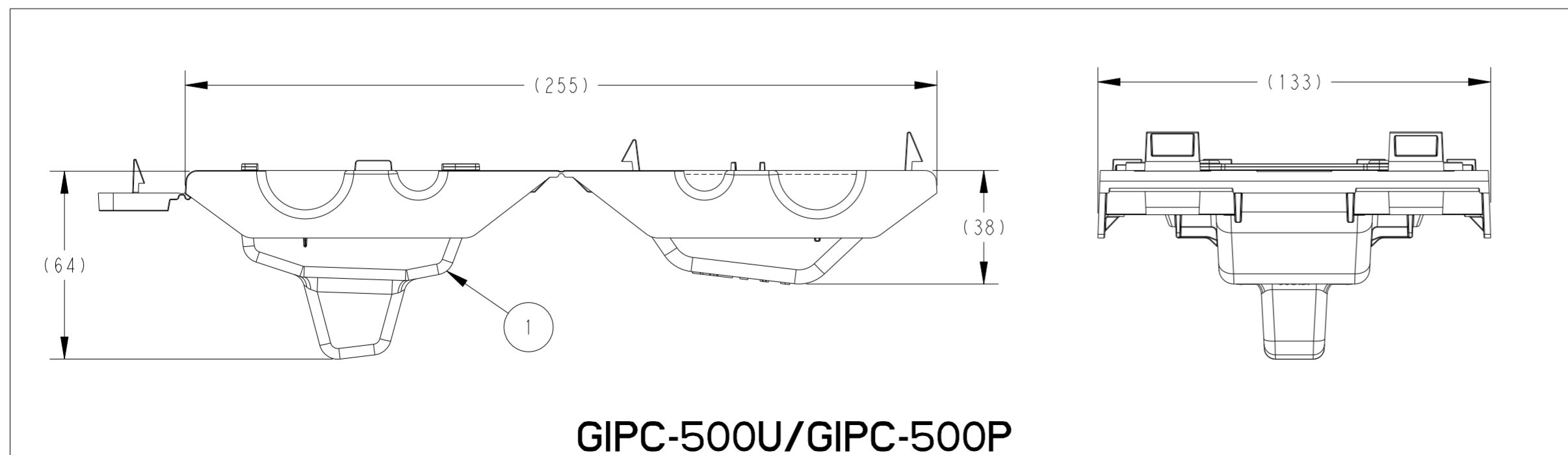
DIMENSIONS: mm	TOLERANCES UNLESS OTHERWISE SPECIFIED:	DWN: D. MURUGIAH 05SEP2019	 TE Connectivity
		CHK: S. RAHMAN 09SEP2019	
		APVD: B. JOHNSON 09SEP2019	
		NAME: INSULATION PIERCING CONNECTOR WITH GEL COVER, GS-IPC-500 SERIES	
MATERIAL: SEE BOM		PRODUCT SPEC: -	SIZE: A2
		APPLICATION SPEC: -	CAGE CODE: 00779
		WEIGHT: -	DRAWING NO: C-2182994
		CUSTOMER DRAWING	RESTRICTED TO: -

SCALE: 3:4 SHEET 1 OF 2 REV G

P	LTR	DESCRIPTION	DATE	DWN	APVD
-	-	SEE SHEET 1	-	-	-



**IPC W/
GEL COVER
OPEN VIEW**



THIS DRAWING IS A CONTROLLED DOCUMENT.		DWN D. MURUGIAH 05SEP2019	STE TE Connectivity
DIMENSIONS: mm		CHK S. RAHMAN 09SEP2019	
TOLERANCES UNLESS OTHERWISE SPECIFIED:		APVD B. JOHNSON 09SEP2019	NAME INSULATION PIERCING CONNECTOR WITH GEL COVER, GS-IPC-500 SERIES
0 PLC ±	1 PLC ±	PRODUCT SPEC	SIZE A2
2 PLC ±	3 PLC ±	APPLICATION SPEC	CAGE CODE 00779
4 PLC ±	ANGLES ±	WEIGHT	DRAWING NO G-2182994
FINISH		MATERIAL SEE BOM	RESTRICTED TO
CUSTOMER DRAWING		SCALE 3:4	SHEET 2 OF 2
		REV G	