

THIS DRAWING IS UNPUBLISHED.

RELEASED FOR PUBLICATION

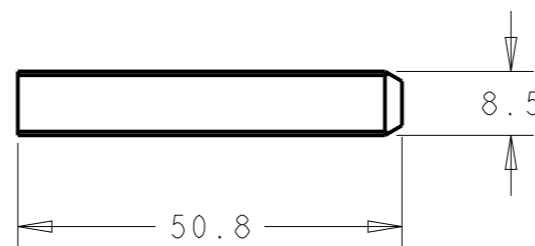
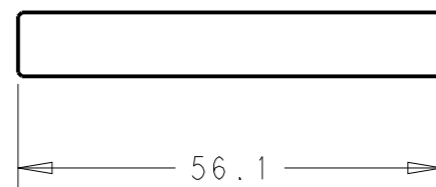
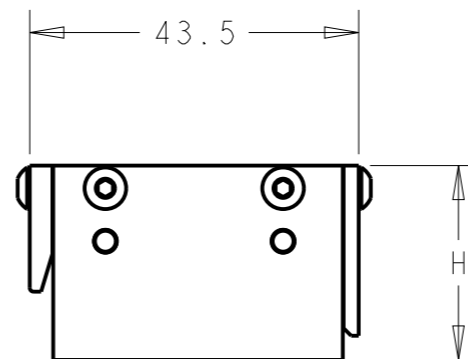
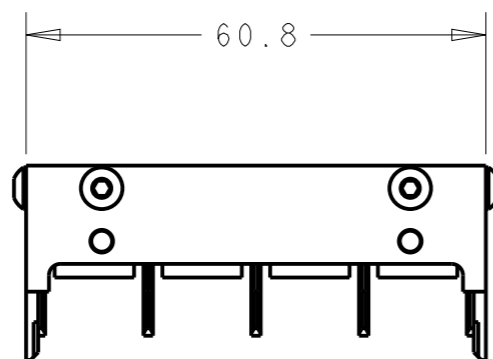
20

© COPYRIGHT 20 BY - ALL RIGHTS RESERVED.


REVISIONS

P	LTR	DESCRIPTION	DATE	DWN	APVD
	A	INITIAL RELEASE	14JUL2017	CZ	DP
	A1	ECR-20-006740 ADD -2	22APR2020	DC	JM
	A2	ADD -3	24MAY2021	DC	DC

PART NUMBER	REV	FIRST USED	H
2185256-1	A	2312532-1	25.7
2185256-2	A	2309976-1	29.7
2185256-3	A	2309976-3, -4	30.3



1	-	-	-	2215476-3	ASSY TOP TOOL, zSFP+	4
-	1	-	-	2215476-2	ASSY TOP TOOL, zSFP+	3
-	-	1	-	2215476-1	ASSY TOP TOOL, zSFP+	2
1	1	1	-	2215818-5	SUPPORT, WALL, 1X4	1
-3	-2	-1	U/M	PART NO	DESCRIPTION	ITEM NO

THIS DRAWING IS A CONTROLLED DOCUMENT.		DWN C. ZHU 14JUL2017	 TE Connectivity	
DIMENSIONS: mm		CHK E. PRICE 14JUL2017		
TOLERANCES UNLESS OTHERWISE SPECIFIED:		APVD D. PFAUTZ 14JUL2017	NAME ASSY SEATING TOOL, zSFP+ 1X4	
0 PLC ±- 1 PLC ±- 2 PLC ±- 3 PLC ±- 4 PLC ±- ANGLES ±-		PRODUCT SPEC SEE FIRST USED	RESTRICTED TO	
MATERIAL -		APPLICATION SPEC -	SIZE A3	CAGE CODE 00779
FINISH -		WEIGHT -	DRAWING NO C-2185256	REVISION A2
		CUSTOMER DRAWING	SCALE 1:1	SHEET 1 OF 1