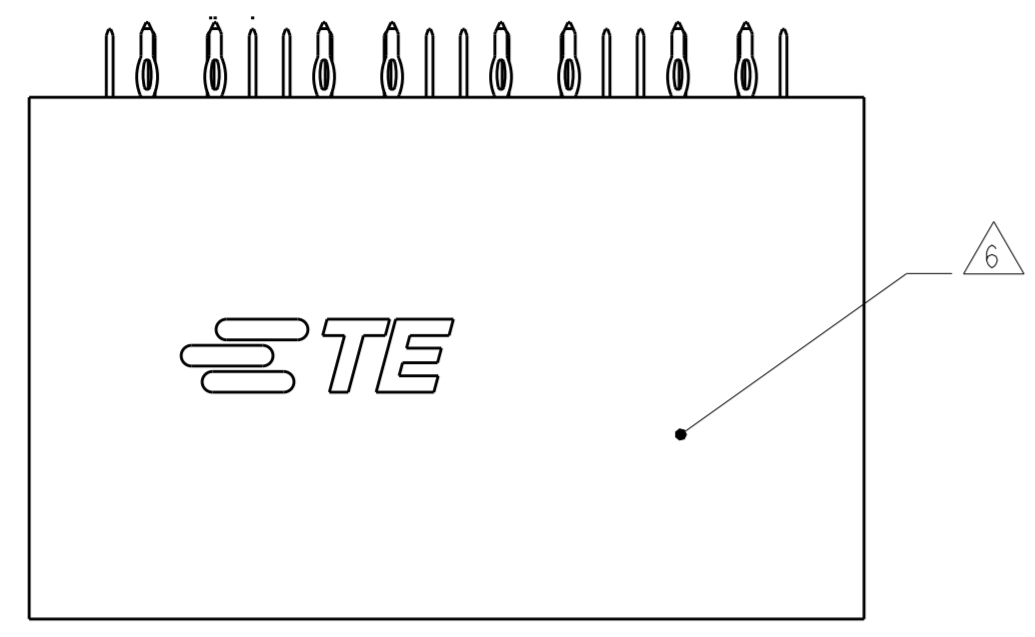
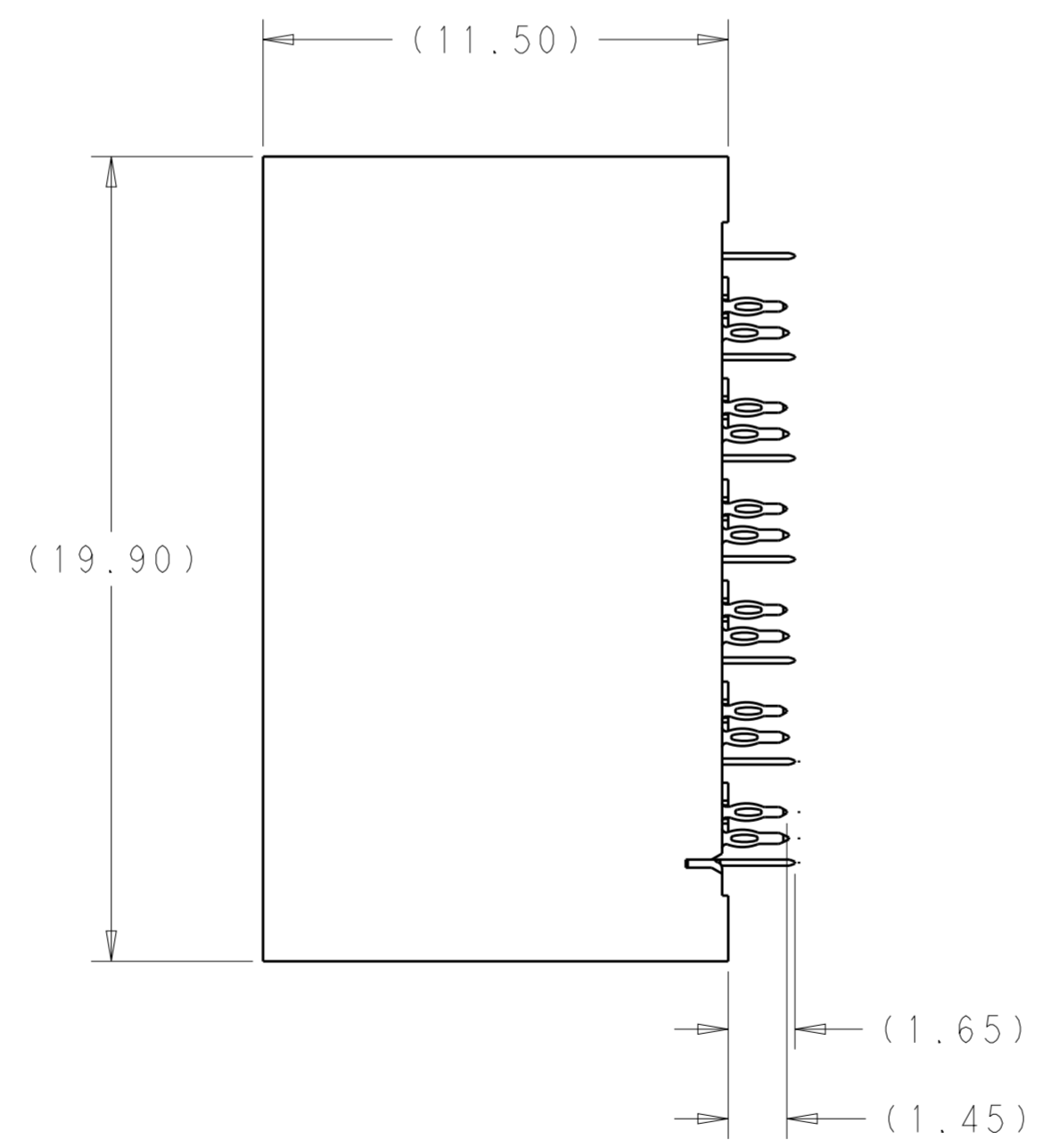
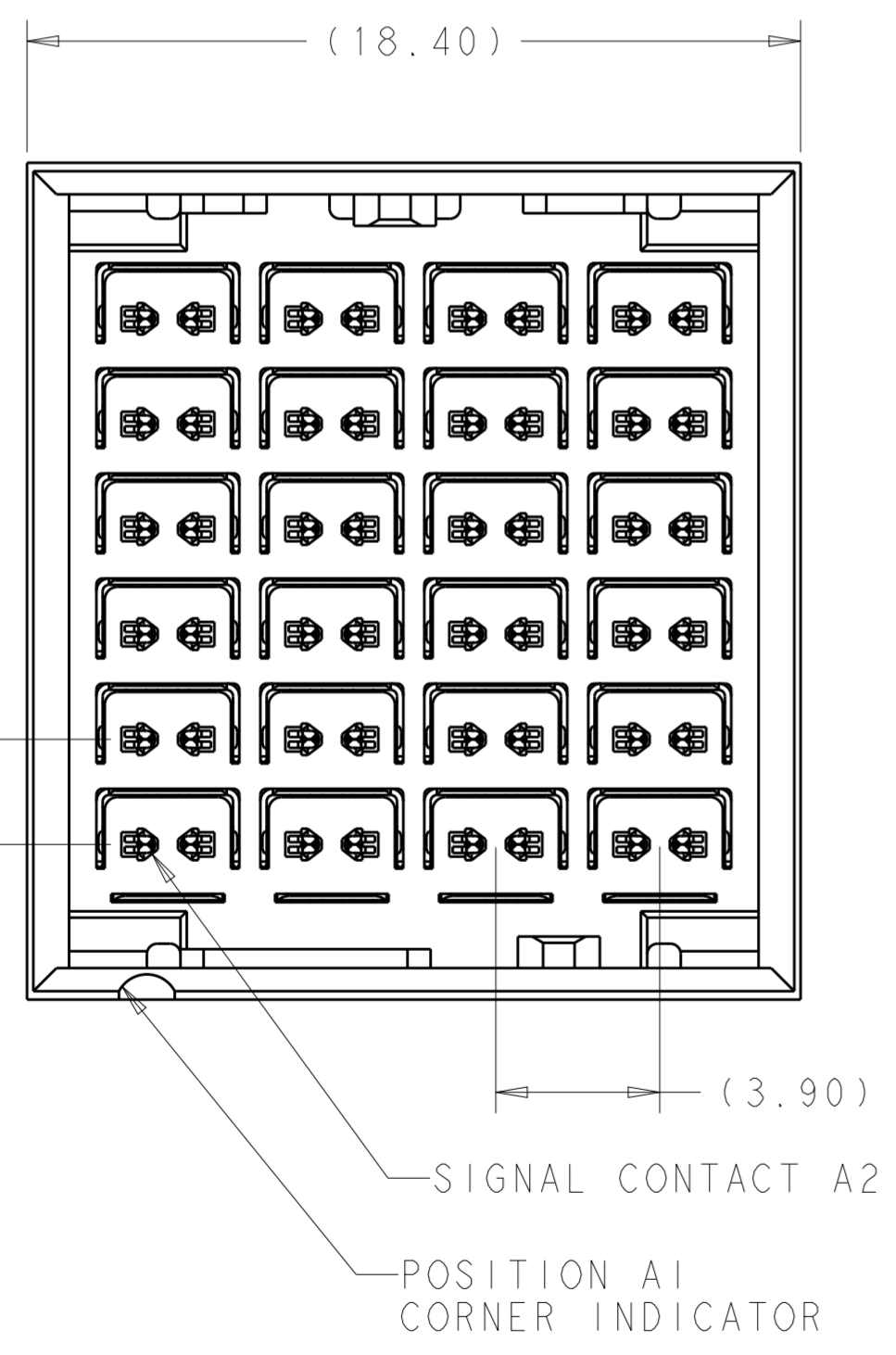


THIS DRAWING IS UNPUBLISHED. RELEASED FOR PUBLICATION 2012
 © COPYRIGHT 2012 BY TE CONNECTIVITY ALL RIGHTS RESERVED.

LOC	DIST	REVISIONS					
GP	00	P	LTR	DESCRIPTION	DATE	DWN	APVD
		1		PROPOSED	08JUN2012	WS	NE
		2		REVISED	03OCT2013	NE	SF



- △1 MATERIAL:
HOUSING: THERMOPLASTIC, UL 94V-0, BLACK
CONTACTS AND SHIELDS: COPPER ALLOY
- △2 FINISH:
- CONFORMS TO THE REQUIREMENTS OF TE PRODUCT SPECIFICATION 108-32021 BASED ON TELCORDIA GR-1217-CORE FOR SYSTEM QUALITY LEVEL III, APPLICATIONS IN CONTROLLED ENVIRONMENTS (CENTRAL OFFICE).
- COMPLIANT PIN AREA: 0.5µm MIN MATTE TIN.
- △3 SIGNAL PLATED THRU HOLE REQUIREMENTS:
FINISHED HOLE = $\varnothing 0.34 \pm 0.05$
HOLE SIZE PRIOR TO PLATING = $\varnothing 0.420 \pm 0.025$
COPPER THICKNESS = 0.025 MIN
IMMERSION TIN IF APPLICABLE = 0.00095 REF
- △4 GROUND AND SI VIA PLATED THRU HOLE REQUIREMENTS:
FINISHED HOLE = $\varnothing 0.37 \pm 0.05$
HOLE SIZE PRIOR TO PLATING = $\varnothing 0.450 \pm 0.025$
COPPER THICKNESS = 0.025 MIN
IMMERSION TIN IF APPLICABLE = 0.00095 REF
- △5 PTH DIMENSIONS APPLY TO THE TOP 1.00mm OF THE PCB THICKNESS FROM THE CONNECTOR MOUNTING SIDE.
- △6 CONNECTOR MARKED WITH PART NUMBER, DATE CODE, AND "100 OHM" IN APPROXIMATE AREA SHOWN.
- △7 DATUMS AND BASIC DIMENSIONS ESTABLISHED BY CUSTOMER.
- △8 APPLIES TO FINISHED HOLE DIAMETER.



2187314-1
PART NO

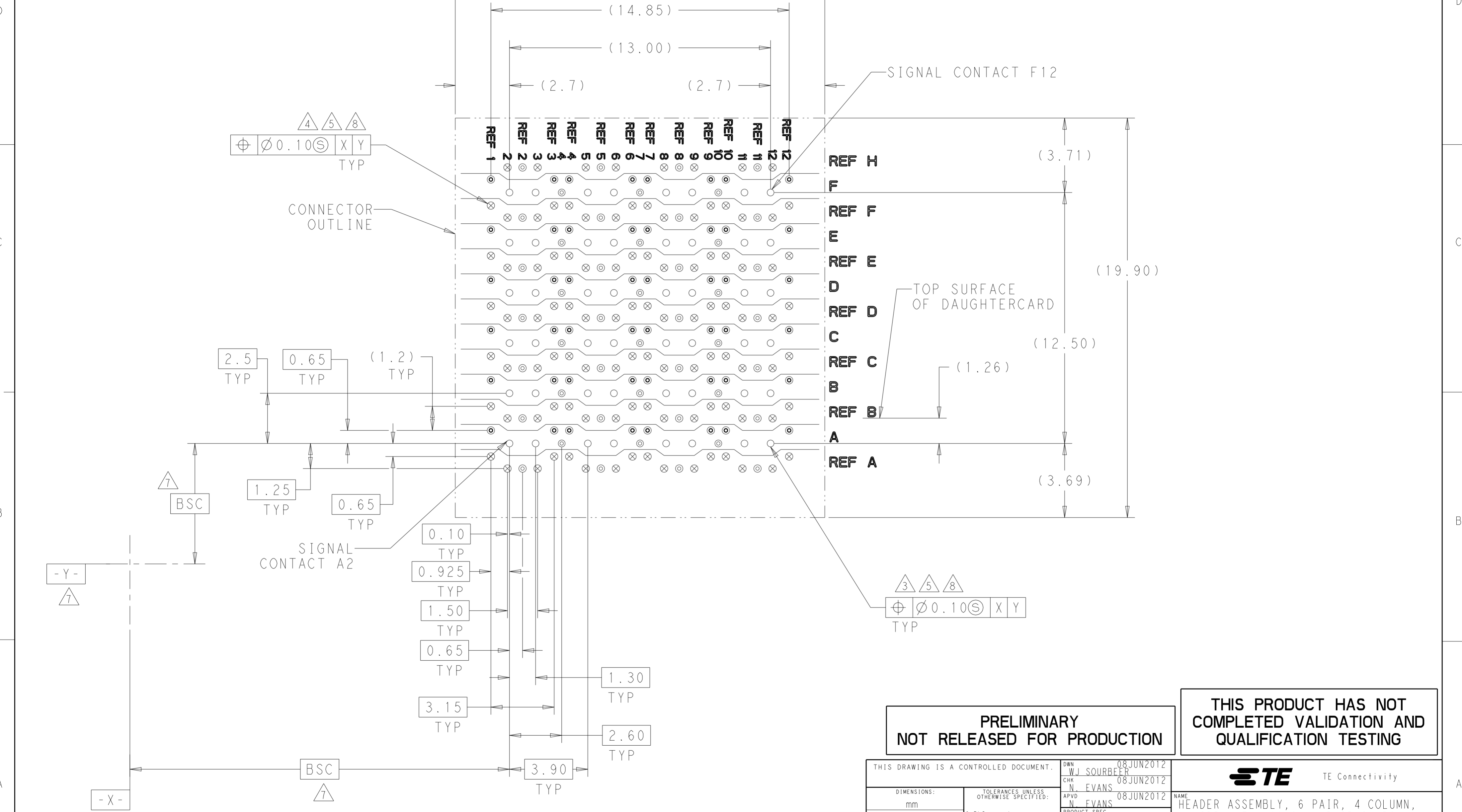
**PRELIMINARY
NOT RELEASED FOR PRODUCTION**

**THIS PRODUCT HAS NOT
COMPLETED VALIDATION AND
QUALIFICATION TESTING**

THIS DRAWING IS A CONTROLLED DOCUMENT.		DWN 08 JUN 2012 WJ SOURBEER	STE TE Connectivity	
DIMENSIONS: mm		CHK 08 JUN 2012 N. EVANS		
TOLERANCES UNLESS OTHERWISE SPECIFIED:		APVD 08 JUN 2012 N. EVANS	NAME HEADER ASSEMBLY, 6 PAIR, 4 COLUMN, MIDPLANE, 100 OHM, PAIR-IN-ROW STRADA WHISPER	
0 PLC ±		PRODUCT SPEC 108-32021	SIZE CAGE CODE DRAWING NO RESTRICTED TO	
1 PLC ±		APPLICATION SPEC 114-32029	A200779 C-2187314	
2 PLC ±		WEIGHT -	SCALE 6:1 SHEET 1 OF 2 REV 2	
3 PLC ±		CUSTOMER DRAWING		
4 PLC ±				
ANGLES ±				
FINISH				

THIS DRAWING IS UNPUBLISHED. RELEASED FOR PUBLICATION 2012
 © COPYRIGHT 2012 BY TE CONNECTIVITY ALL RIGHTS RESERVED.

LOC	DIST	REVISIONS					
GP	00	P	LTR	DESCRIPTION	DATE	DWN	APVD
		-		SEE SHEET 1			



○ = SIGNAL
 ⊗ = GROUND
 ⊙ = SIGNAL INTEGRITY VIA TO GROUND

RECOMMENDED PCB LAYOUT,
 COMPONENT SIDE SHOWN
 SCALE 8:1

**PRELIMINARY
 NOT RELEASED FOR PRODUCTION**

**THIS PRODUCT HAS NOT
 COMPLETED VALIDATION AND
 QUALIFICATION TESTING**

THIS DRAWING IS A CONTROLLED DOCUMENT.		DWN	08 JUN 2012	TE Connectivity	NAME HEADER ASSEMBLY, 6 PAIR, 4 COLUMN, MIDPLANE, 100 OHM, PAIR-IN-ROW STRADA WHISPER
DIMENSIONS:		CHK	08 JUN 2012		
mm		APVD	08 JUN 2012		
TOLERANCES UNLESS OTHERWISE SPECIFIED: 0 PLC ± 1 PLC ± 2 PLC ± 3 PLC ± 4 PLC ± ANGLES ± FINISH		PRODUCT SPEC	108-32021		
MATERIAL	-	APPLICATION SPEC	114-32029	SIZE	A200779
		WEIGHT	-	DRAWING NO	C-2187314
		CUSTOMER DRAWING		RESTRICTED TO	-
		SCALE	6:1	SHEET	2 OF 2
				REV	2