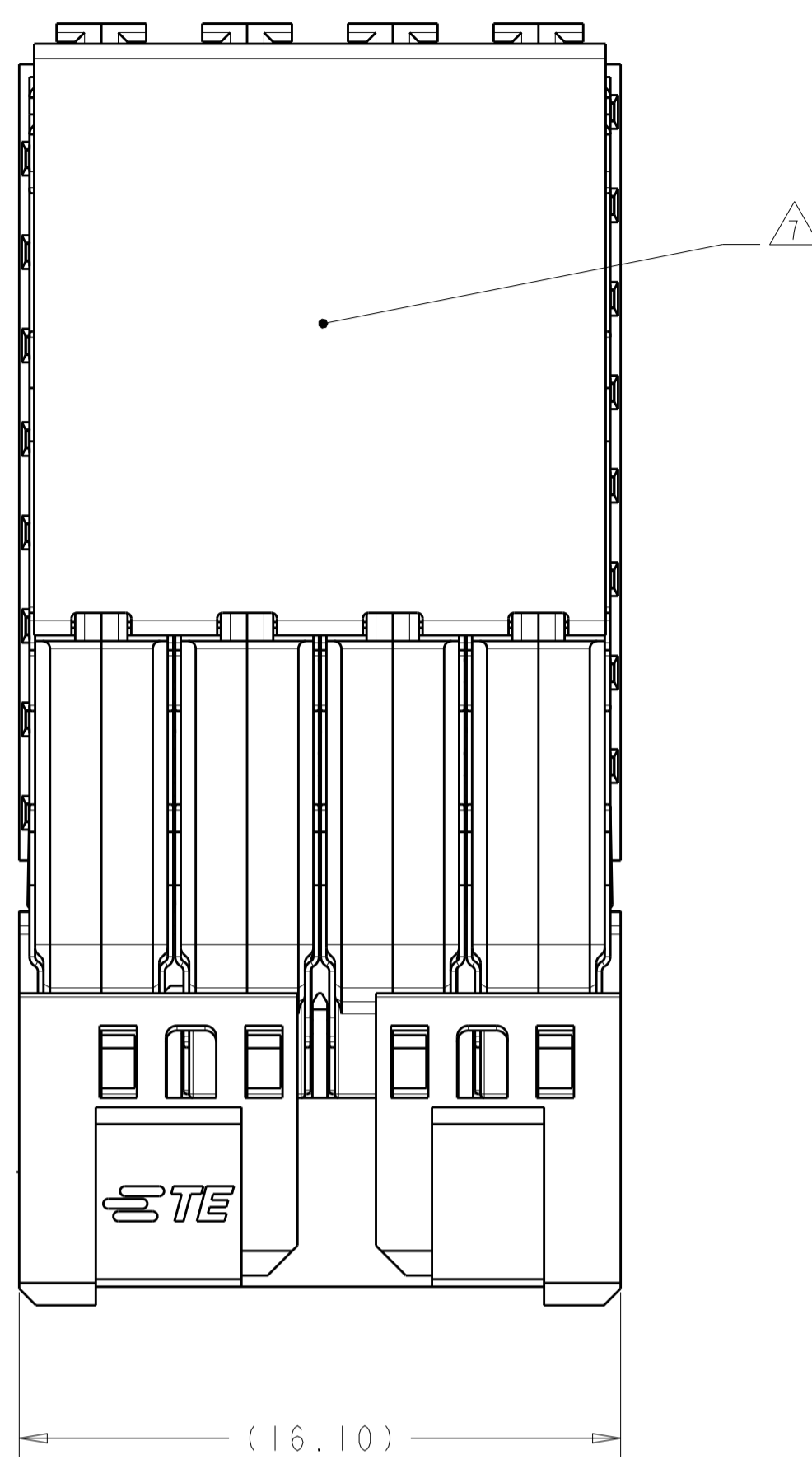
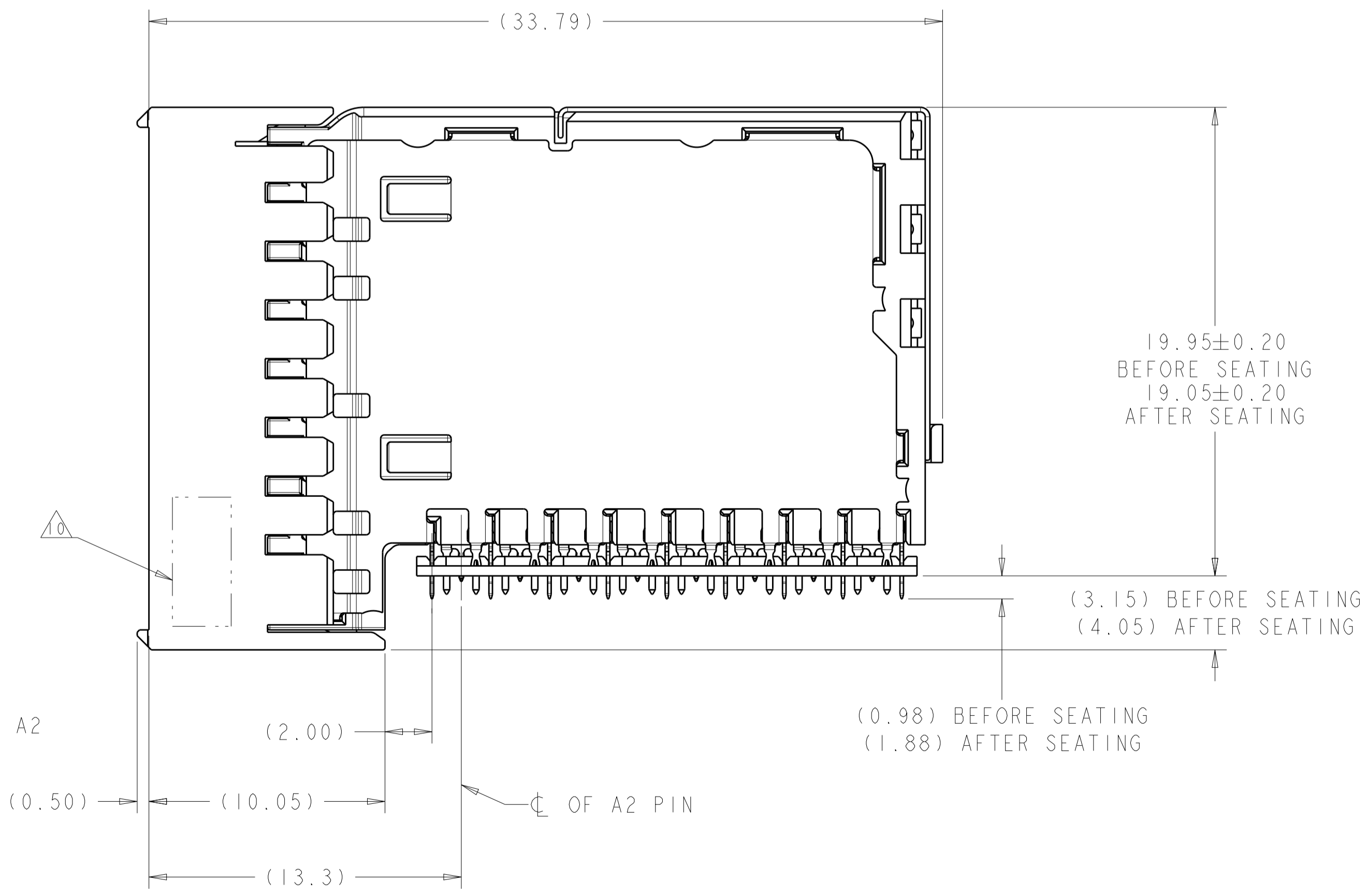
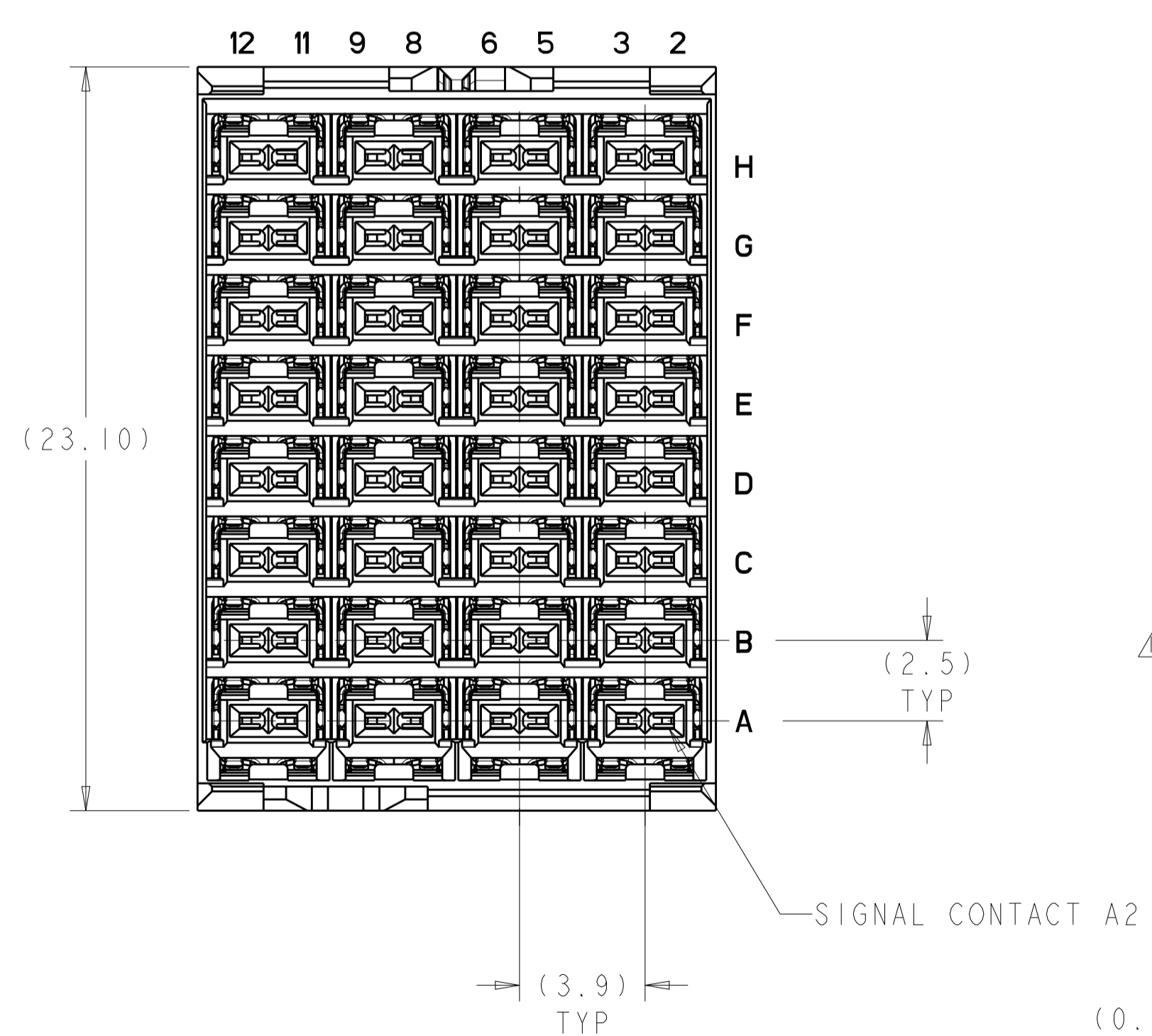


REVISIONS				
P.	LTN	DESCRIPTION	DATE	APVD
A		RELEASED	05OCT2017	JM RP



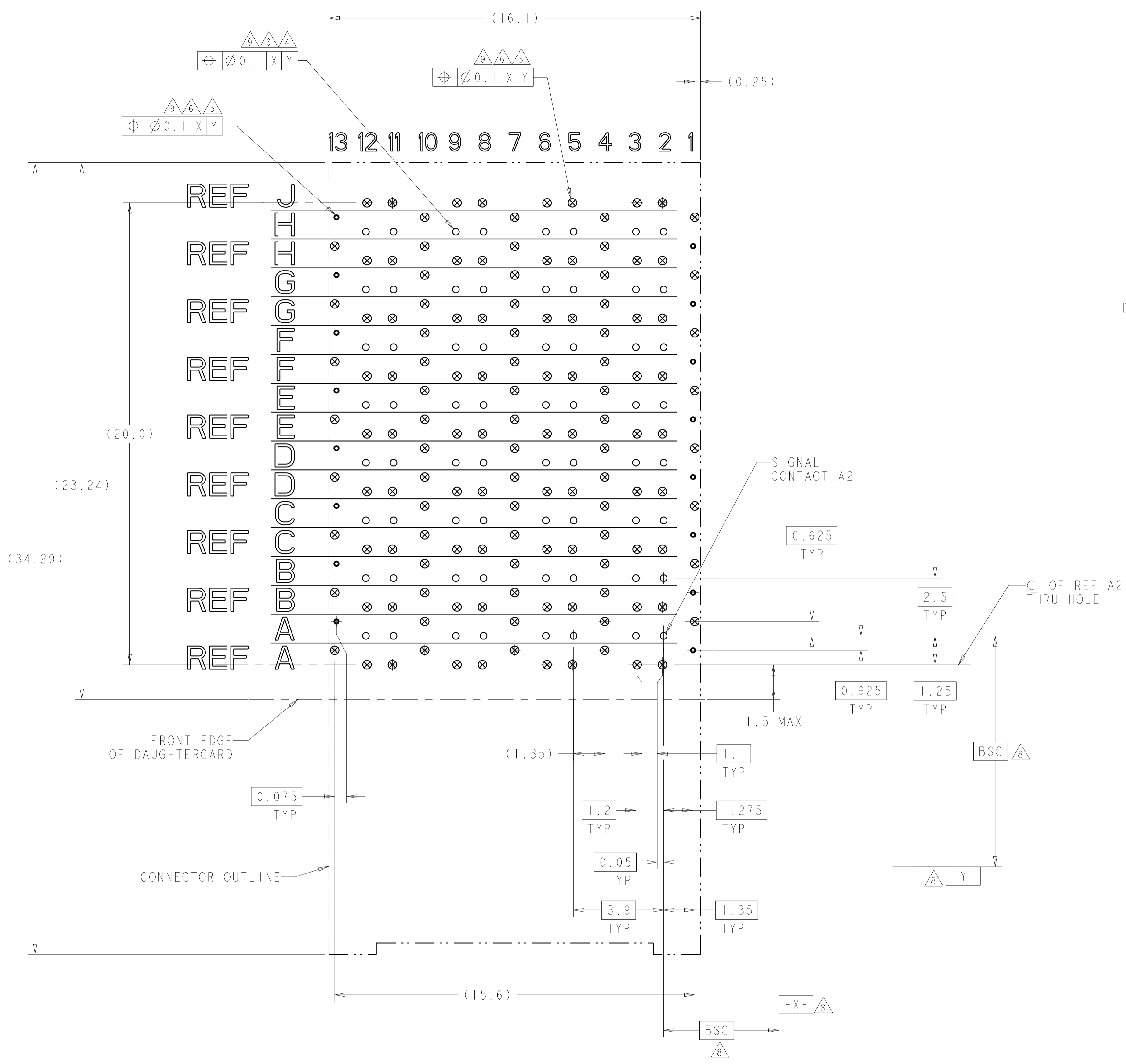
- 1 MATERIAL:  
CONTACTS AND SHIELDS - COPPER ALLOY  
ORGANIZER - STAINLESS STEEL  
HOUSING, GROUND SHELLS, AND PIN SPACER - THERMOPLASTIC, UL 94V-0, BLACK
- 2 FINISH:  
- CONFORMS TO THE REQUIREMENTS OF TE PRODUCT SPECIFICATION 108-32021  
BASED ON TELCORDIA GR-1217-CORE FOR SYSTEM QUALITY LEVEL III,  
APPLICATIONS IN CONTROLLED ENVIRONMENTS (CENTRAL OFFICE).  
- COMPLIANT PIN AREA: 0.5µm MIN MATTE TIN.
- 3 GROUND PLATED THRU HOLE REQUIREMENTS:  
FINISHED HOLE =  $\varnothing 0.37 \pm 0.05$   
HOLE SIZE PRIOR TO PLATING =  $\varnothing 0.450 \pm 0.025$   
COPPER THICKNESS = 0.025 MIN  
IMMERSION TIN IF APPLICABLE = (0.00095)
- 4 SIGNAL PLATED THRU HOLE REQUIREMENTS:  
FINISHED HOLE =  $\varnothing 0.29 \pm 0.05$   
HOLE SIZE PRIOR TO PLATING =  $\varnothing 0.368 \pm 0.025$  (#79 DRILL)  
COPPER THICKNESS = 0.025 MIN  
IMMERSION TIN IF APPLICABLE = (0.00095)
- 5 SI VIA PLATED THRU HOLE REQUIREMENTS:  
FINISHED HOLE = ( $\varnothing 0.22$ )  
HOLE SIZE PRIOR TO PLATING =  $\varnothing 0.300 \pm 0.025$   
COPPER THICKNESS = 0.025 MIN  
IMMERSION TIN IF APPLICABLE = (0.00095)
- 6 SIGNAL HOLES AND SI VIAS:  
PTH DIMENSIONS APPLY TO THE TOP 1.00mm OF THE PCB THICKNESS FROM THE  
CONNECTOR MOUNTING SIDE.  
GROUND HOLES:  
PTH DIMENSIONS APPLY TO THE TOP 1.25mm OF THE PCB THICKNESS FROM THE  
CONNECTOR MOUNTING SIDE.
- 7 CONNECTOR MARKED WITH PART NUMBER, DATE CODE, AND "92 OHM" IN  
APPROXIMATE AREA SHOWN.
- 8 DATUMS AND BASIC DIMENSIONS ESTABLISHED BY CUSTOMER.
- 9 APPLIES TO FINISHED HOLE DIAMETER.
- 10 DATAMATRIX BARCODE MARKING IN THIS AREA.



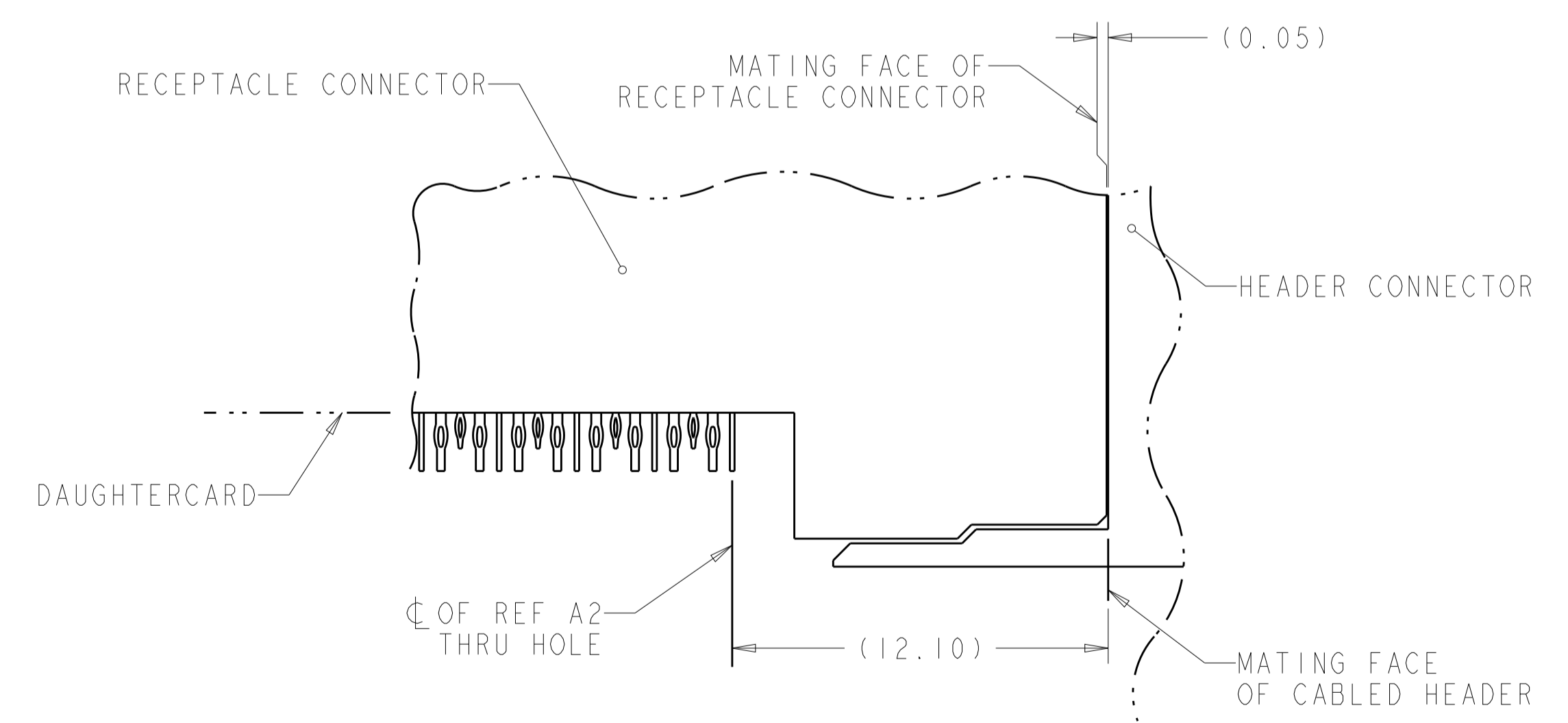
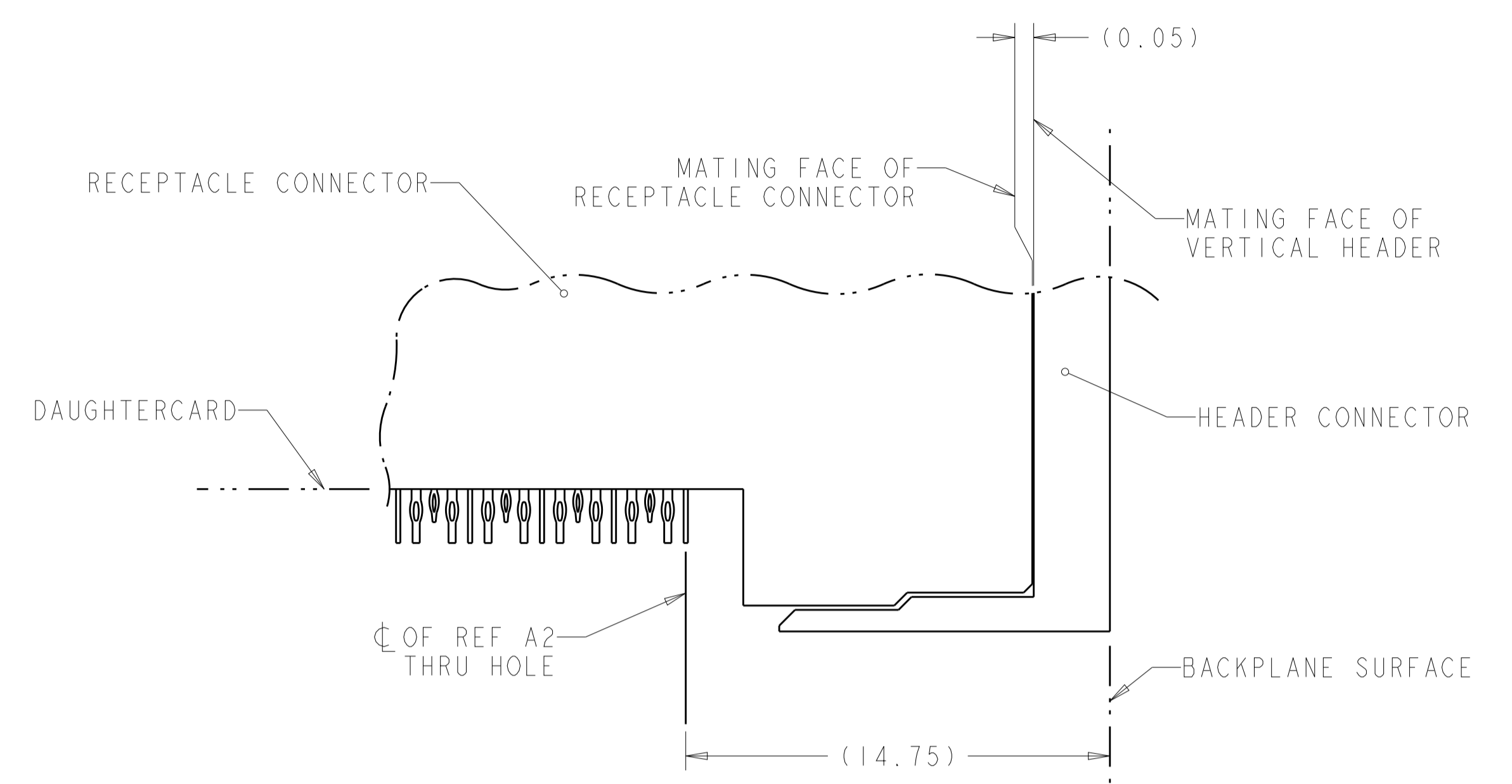
2187743-1  
PART NO

THIS DRAWING IS A CONTROLLED DOCUMENT.		DWN J. McCLINTON CHK R. PATTERSON APVD R. PATTERSON	05OCT2017 05OCT2017 05OCT2017	TE Connectivity NAME RIGHT ANGLE RECEPTACLE ASSEMBLY, 8 PAIR, 4 COLUMN, DPO, 92 OHM PAIR-IN-ROW, STRADA WHISPER PRODUCT SPEC SEE TABLE APPLICATION SPEC SEE TABLE	SIZE A1 CAGE CODE 00779 DRAWING NO C=2187743	RESTRICTED TO CUSTOMER DRAWING
DIMENSIONS:	TOLERANCES UNLESS OTHERWISE SPECIFIED:	0 PLC ± 1 PLC ± 2 PLC ± 3 PLC ± 4 PLC ± ANGLES ±				
mm				SCALE 6:1	SHEET 1 OF 2	REV A

REVISIONS				
P.	LTN.	DESCRIPTION	DATE	APVD.
-	-	SEE SHEET 1	-	-



○ = SIGNAL  
 ⊗ = GROUND  
 ⊙ = SIGNAL INTEGRITY VIA TO GROUND



THIS DRAWING IS A CONTROLLED DOCUMENT.		DWN J. McCLINTON 05OCT2017	TE Connectivity
DIMENSIONS:		CHK R. PATTERSON 05OCT2017	
mm	TOLERANCES UNLESS OTHERWISE SPECIFIED:	APVD R. PATTERSON 05OCT2017	NAME RIGHT ANGLE RECEPTACLE ASSEMBLY, 8 PAIR, 4 COLUMN, DPO, 92 OHM PAIR-IN-ROW, STRADA WHISPER
0 PLC ± 1 PLC ± 2 PLC ± 3 PLC ± 4 PLC ± ANGLES ±	MATERIAL FINISH	PRODUCT SPEC APPLICATION SPEC WEIGHT CUSTOMER DRAWING	SIZE CAGE CODE DRAWING NO. RESTRICTED TO A1 00779 ©=2187743
		SCALE 5:1	SHEET 2 OF 2 REV A