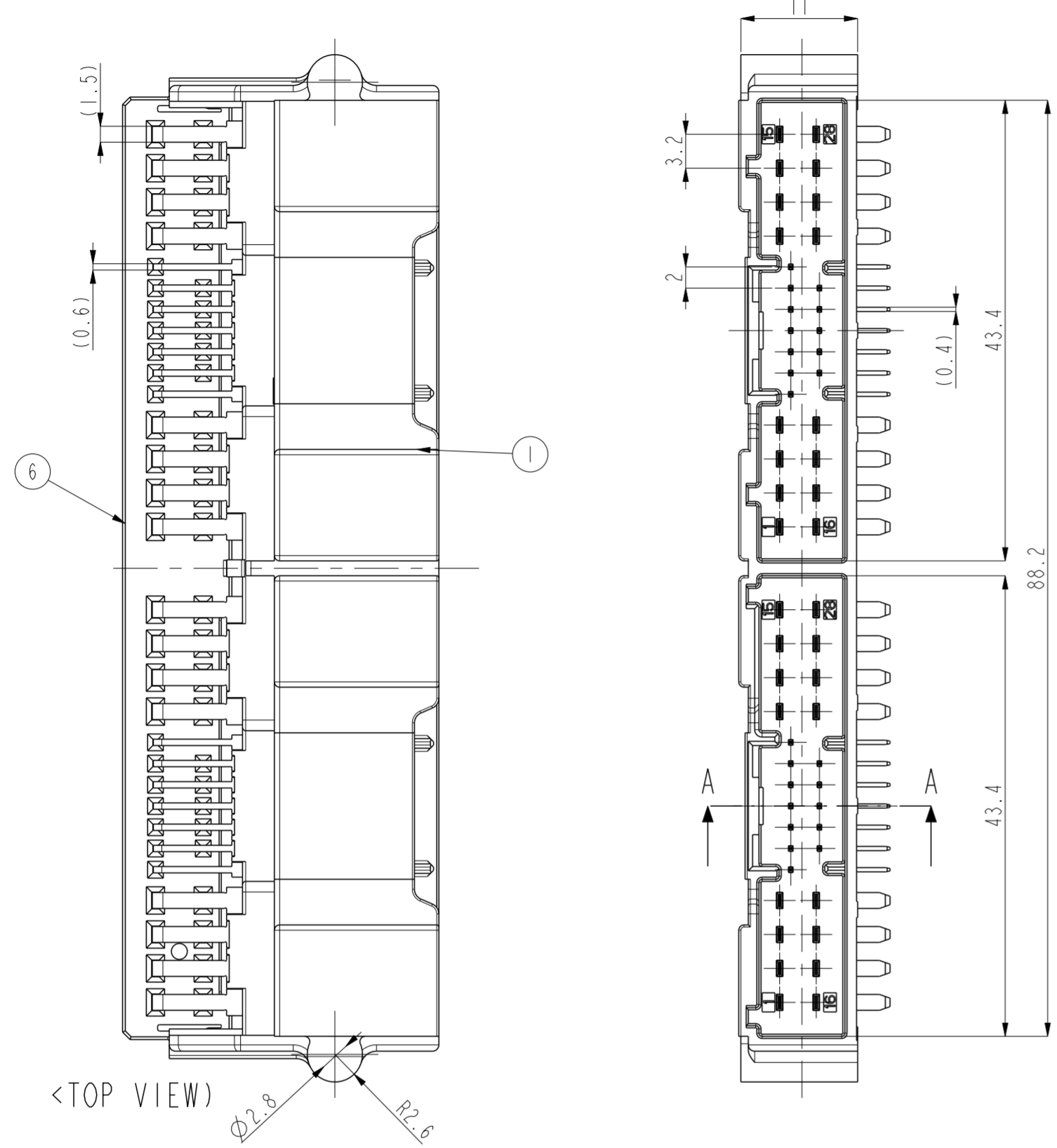
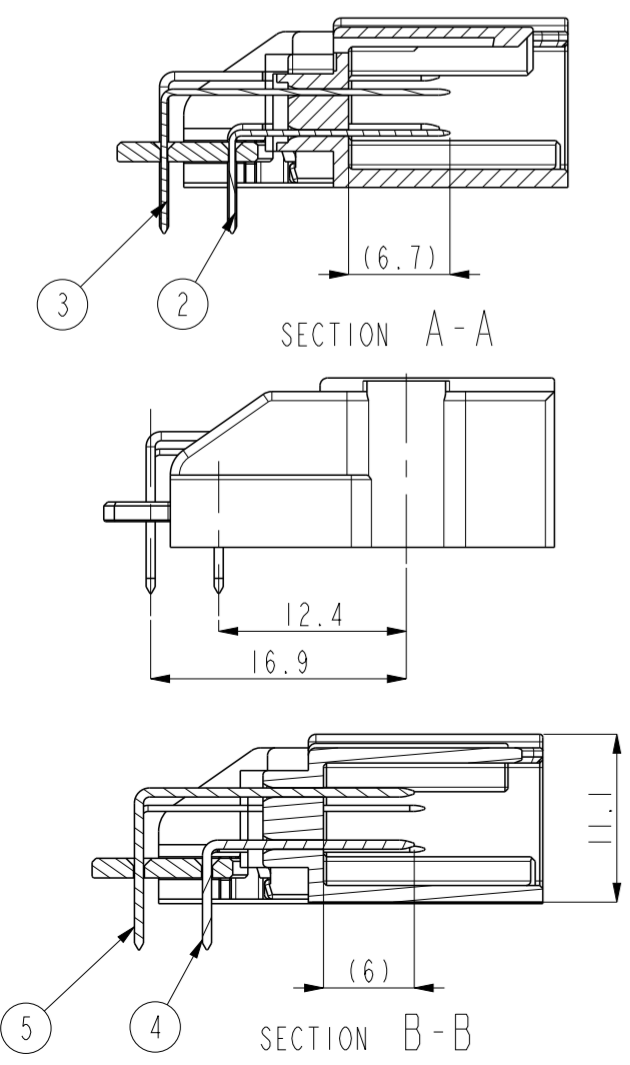


# 020/060 56P HEADER ASSY TYPE A

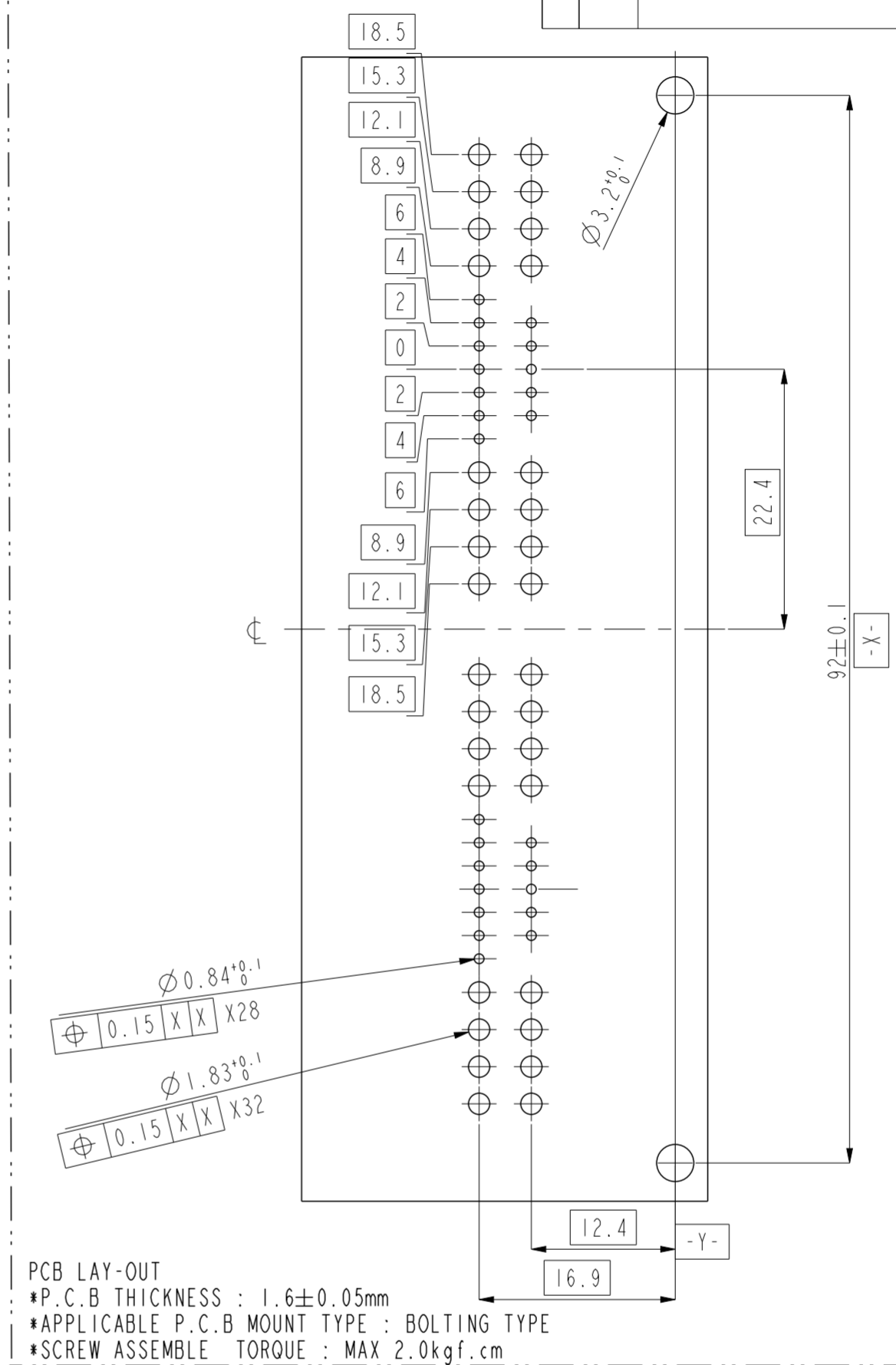
REVISIONS				
P	LTR	DESCRIPTION	DATE	APVD
B		REVISED (ECR-23-164942)	27JUN2023	DG KT
B1		REVISED (ECR-23-192831)	17NOV2023	DG KT
B2		REVISED (ECR-24-199726)	08FEB2024	DG YH



NOTE  
 1. GENERAL TOLERANCE:  $\pm 0.3$ ,  $\pm 2.0^\circ$   
 2. THE MATING PLUG ASS'Y P/N:  
 X-2188225-X



P/NO	2188220-1 2-2188220-1	1-2188220-1 3-2188220-1	4-2188220-2	5-2188220-3
CODE	A	B	C	D
SHAPE				



PCB LAY-OUT  
 \*P.C.B THICKNESS :  $1.6 \pm 0.05$ mm  
 \*APPLICABLE P.C.B MOUNT TYPE : BOLTING TYPE  
 \*SCREW ASSEMBLE TORQUE : MAX 2.0kgf.cm

ASS'Y P/N	DESCRIPTION	PACKING
9-2188220-2	56P HEADER ASS'Y(D)_TYPE B	PAPER BOX
7-2188220-2	56P HEADER ASS'Y(C)_TYPE B	CLEAR TRAY / PAPER BOX
6-2188220-2	56P HEADER ASS'Y(C)_TYPE B	BLACK TRAY / PAPER BOX
1-2188220-2	56P HEADER ASS'Y(B)_TYPE B	BLACK TRAY / PAPER BOX
2188220-2	56P HEADER ASS'Y(A)_TYPE B	PAPER BOX
5-2188220-3	56P HEADER ASS'Y(D)_TYPE A	PAPER BOX
4-2188220-2	56P HEADER ASS'Y(C)_TYPE A	PAPER BOX
3-2188220-1	56P HEADER ASS'Y(B)_TYPE A	PAPER BOX
2-2188220-1	56P HEADER ASS'Y(A)_TYPE A	PAPER BOX
1-2188220-1	56P HEADER ASS'Y(B)_TYPE A	PLASTIC BOX
2188220-1	56P HEADER ASS'Y(A)_TYPE A	PLASTIC BOX

NO	COLOR	MATERIAL	DESCRIPTION	Q'TY
6	BLACK	PA46-GF15	020/060 56P ALIGNMENT PLATE-WAVELESS	1
	NATURAL	PA66-GF15	020/060 56P ALIGNMENT PLATE	1
5	POST-TIN	C2680 H04	060 TAB CONTACT(L)	16
4	POST-TIN	C2680 H04	060 TAB CONTACT(S)	16
3	POST-TIN	C2680 H04	020 TAB CONTACT(L)	14
2	POST-TIN	C2680 H04	020 TAB CONTACT(S)	10
1	BLACK	LCP-GF30	HEADER HSG(D)-WAVELESS	1
		LCP-GF30	HEADER HSG(B)-WAVELESS	1
		LCP-GF30	HEADER HSG(A)-WAVELESS	1
	GRAY	LCP-GF30	HEADER HSG(D)	1
	BLACK	LCP-GF30	HEADER HSG(C)-WAVELESS	1
	BLACK	LCP-GF30	HEADER HSG(C)	1
	NATURAL	LCP-GF30	HEADER HSG(B)	1
	NATURAL	LCP-GF30	HEADER HSG(A)	1

THIS DRAWING IS A CONTROLLED DOCUMENT.

DIMENSIONS: mm

TOLERANCES UNLESS OTHERWISE SPECIFIED:  
 0 PLC  $\pm$   
 1 PLC  $\pm 0.5$   
 2 PLC  $\pm 0.13$   
 3 PLC  $\pm 0.013$   
 4 PLC  $\pm 0.0001$   
 ANGLES  $\pm$   
 FINISH

DWN: YJ KIM 17NOV2015  
 CHK: KT LIM 17NOV2015  
 APVD: HG CHO 17NOV2015

NAME: 020/060 56P HEADER ASSY HORIZONTAL TYPE

STE TE Connectivity

SIZE: A2 CAGE CODE: - DRAWING NO: C-2188220 RESTRICTED TO: -

CUSTOMER DRAWING SCALE: 2:1 SHEET 1 OF 2 REV: B2

4

3

2

1

THIS DRAWING IS UNPUBLISHED. RELEASED FOR PUBLICATION 20  
 © COPYRIGHT 20 BY - ALL RIGHTS RESERVED.

REVISIONS

P	LTR	DESCRIPTION	DATE	DWN	APVD
		SEE SHEET 1			

020/060 56P HEADER ASSY TYPE B

PCB LAY-OUT  
 \*P.C.B THICKNESS : 1.6±0.05mm  
 \*APPLICABLE P.C.B MOUNT TYPE : BOLTING TYPE  
 \*SCREW ASSEMBLE TORQUE : MAX 2.0kgf.cm

P/NO	2188220-2	1-2188220-2	6-2188220-2 7-2188220-2	9-2188220-2
CODE	A	B	C	D
SHAPE				

THIS DRAWING IS A CONTROLLED DOCUMENT.		DWN YJ KIM 17NOV2015	TE Connectivity	
DIMENSIONS: mm		CHK KT LIM 17NOV2015		
TOLERANCES UNLESS OTHERWISE SPECIFIED:		APVD HG CHO 17NOV2015	NAME 020/060 56P HEADER ASSY HORIZONTAL TYPE	
0 PLC ±	1 PLC ±0.5	PRODUCT SPEC -	SIZE A2	CAGE CODE -
2 PLC ±0.13	3 PLC ±0.013	APPLICATION SPEC -	DRAWING NO C-2188220	RESTRICTED TO -
4 PLC ±0.0001	ANGLES ±	WEIGHT -	SCALE 2:1	SHEET 2 OF 2
MATERIAL -	FINISH -	CUSTOMER DRAWING	REV B2	

1471-9 (3/13)