

THIS DRAWING IS UNPUBLISHED.

RELEASED FOR PUBLICATION

20

© COPYRIGHT 20 BY -

ALL RIGHTS RESERVED.

LOC DS DIST -

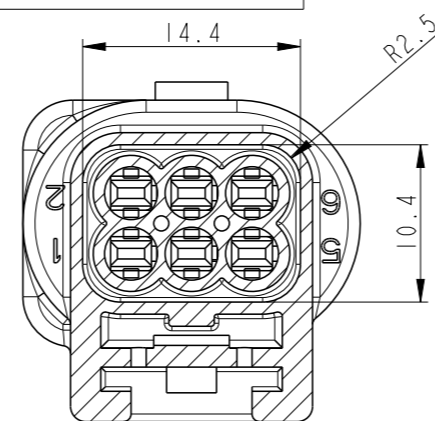
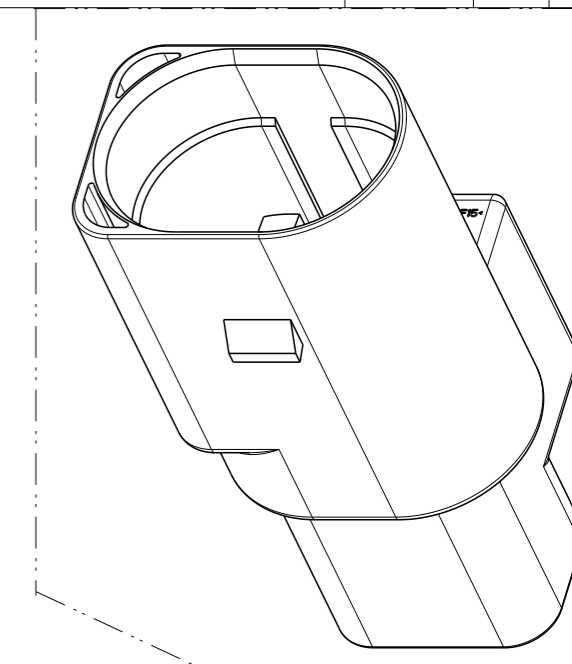
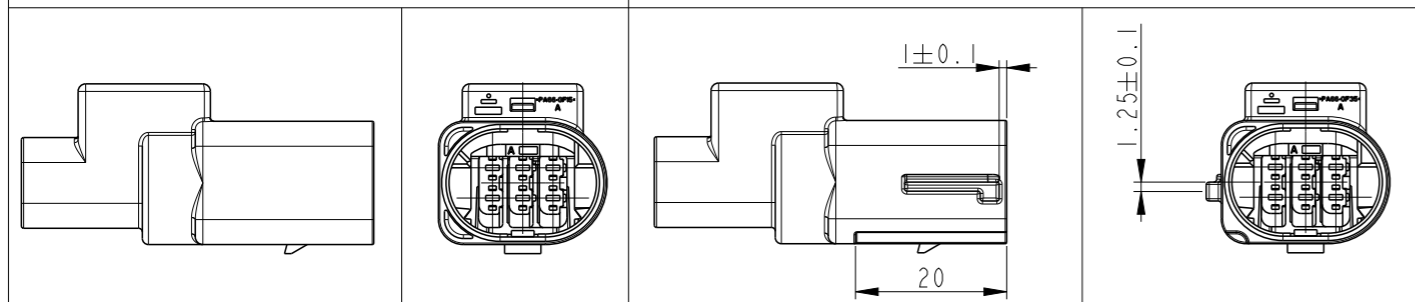
REVISIONS

P	LTR	DESCRIPTION	DATE	DWN	APVD
B		REVISED (ECR-15-000140)	06/JAN/15	WY	HG
C		REVISED (ECR-19-004821)	15APR2019	CH	YJ

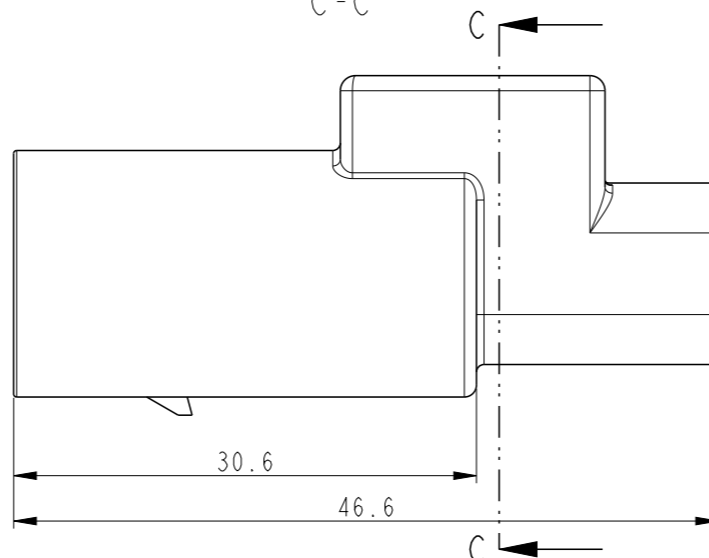
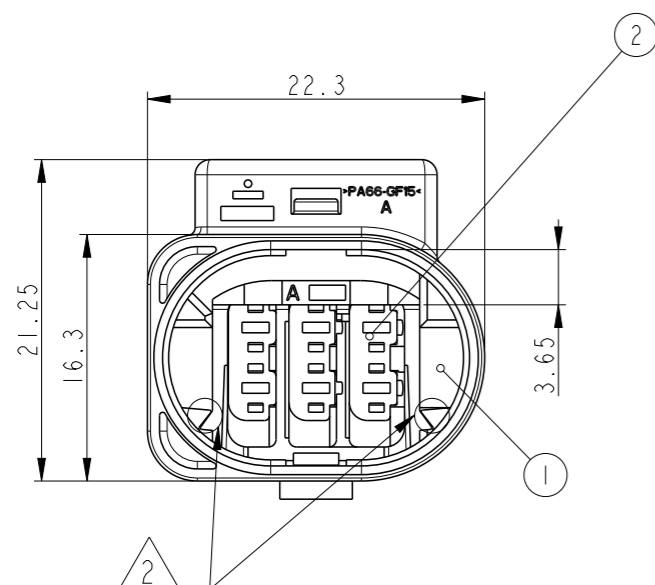
KEY-CODE

2188289-2 (A)  
APPLIED PLUG ASSY: 2005372-2

2-2188289-3 (B)  
APPLIED PLUG ASSY: 2005372-3/4



C-C



NOTE

- 1. GENERAL TOLERANCE:  $\pm 0.3$ ,  $3^\circ$
- 2. CONDITION OF DELIVERY: 1ST, LOCKING CONDITION WITH DBL PLATE OPEN POSITION.
- 3. APPLICABLE RECEPTACLE CONTACT P/N: BELOW TABLE

CONTACT	MT-11
PART NO.	963902-1, 963904-1, 1703278
WIRE SIZE(mm <sup>2</sup> )	0.2 ~ 0.5 / >0.5 ~1.0 / 1.25
WIRE SEAL PART NO.	964971-1, 963530-1, 964972-1, 2219708-4

(AI)

(C) (B)

NO	COLOR	MATERIAL	DESCRIPTION	Q'TY
2	NATURAL	PA66-GF35	DBL HSG	1
1	GRAY	PA66-GF35	CAP HSG-B	1
	BLACK	PA66-GF15	CAP HSG-A	-

ASSY P/N	DESCRIPTION
2-2188289-3	MT-11 SLD 6P CAP ASSY-B
2188289-2	MT-11 SLD 6P CAP ASSY-A

THIS DRAWING IS A CONTROLLED DOCUMENT.

DIMENSIONS:	TOLERANCES UNLESS OTHERWISE SPECIFIED:
mm	0 PLC $\pm$
	1 PLC $\pm$
	2 PLC $\pm$
	3 PLC $\pm$
	4 PLC $\pm$
	ANGLES $\pm$
MATERIAL	FINISH
SEE TABLE	

DWN WY JANG  
 CHK KT LIM  
 APVD HG CHO  
 PRODUCT SPEC -  
 APPLICATION SPEC -  
 WEIGHT -



NAME MT-11 SLD 6P CAP ASSY			
SIZE A3	CAGE CODE 00779	DRAWING NO C-2188289	RESTRICTED TO -
Customer Drawing	SCALE	SHEET	OF