

LOC
DS

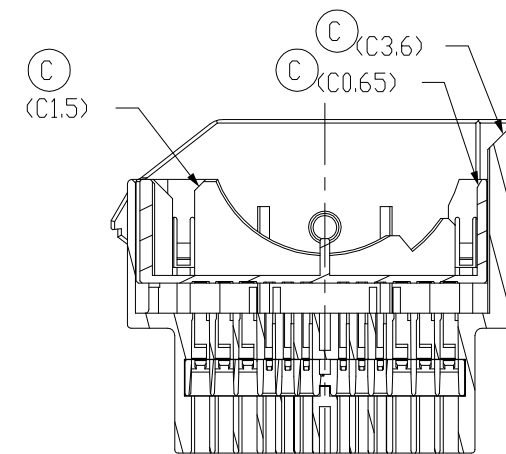
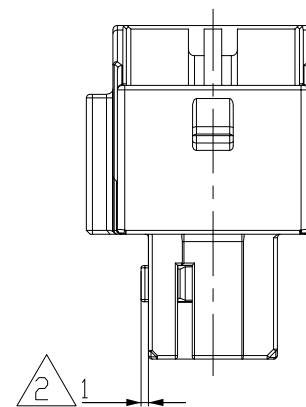
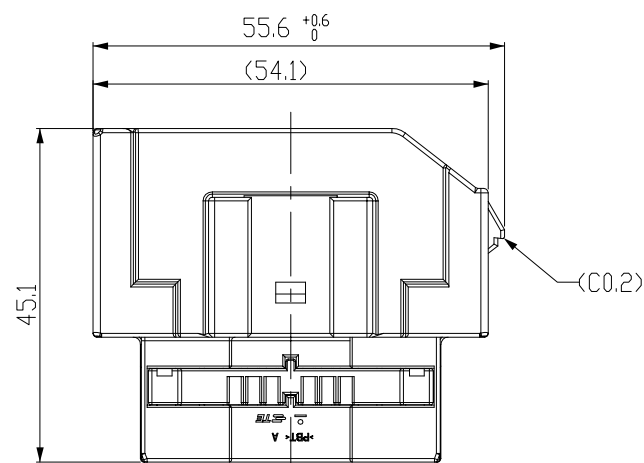
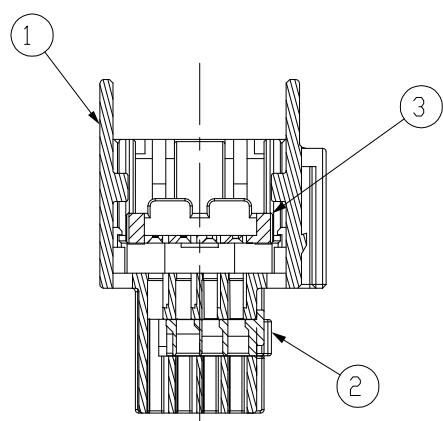
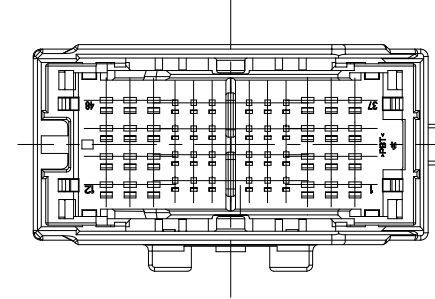
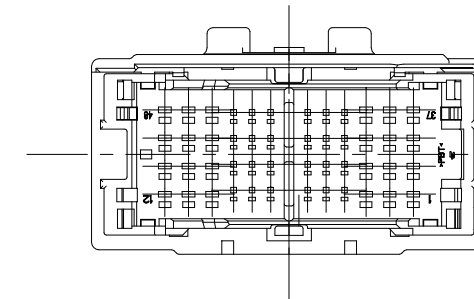
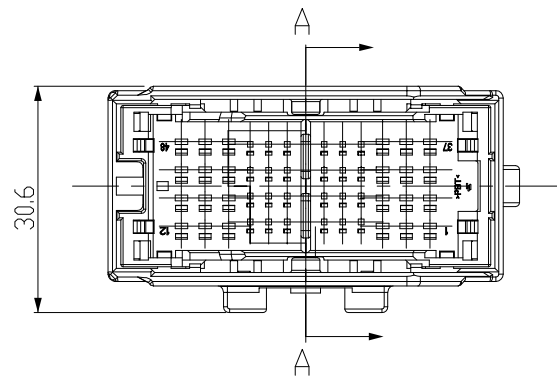
DIST
-

REVISIONS

P	LTR	DESCRIPTION	DATE	DWN	APVD
C		REVISED(KECR-16-000512)	12.JAN'16	DG	KT

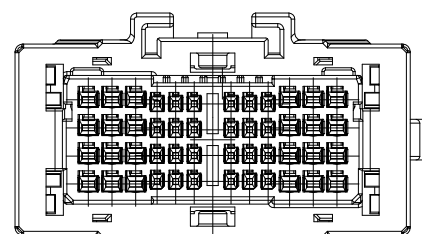
1-2188648-1
RHD TYPE
MATING PLUG : 2188652-1

2188648-2
LHD TYPE
MATING PLUG : 2188652-2



SECTION C-C

SECTION A-A



- NOTES ;
 1. GENERAL TOLERANCE : ±0.3mm, ±3°
 2. RETAINER IS PRE-LOCKING
 3. Max Warpaga : 0.3mm
 4. MATING PLUG : 2188652
 5. APPLICABLE CLIP : 1-2005534-2

NO.	COLOR	MATERIAL	DESCRIPTION	Q'TY	ASS'Y P/N	DESCRIPTION
3	NATURAL	PBT	PROTECT HSG FOR 48P CAP ASM	1	1-2188648-1	025/060 HYB 48P CAP ASSY RHD
2	GRAY	PBT	DBL FOR HYB 48P CONN'R	1	2188648-2	025/060 HYB 48P CAP ASSY LHD
1	NATURAL	PBT	025/060 HYB 48P CAP HSG RHD	1	-	-
1	BLACK	PBT	025/060 HYB 48P CAP HSG LHD	-	1	-

TABLE 1

TYPE	P/N	SQ
.025	2005098-1	0.13~0.22
	2005154-1	0.3~0.5
.060	2109005-1	0.22~0.35
	2109005-2	0.5~0.75
	2109005-3	0.85~1.25

THIS DRAWING IS A CONTROLLED DOCUMENT.

DWN: DG JEONG
 CHK: -
 APVD: KT LIM
 PRODUCT SPEC: -
 APPLICATION SPEC: -
 WEIGHT: -

CUSTOMER DRAWING

SCALE: 1:1

SHEET 1 OF 1

REV C

TE Connectivity

025/060 HYB 48P CAP ASSY

SIZE: A3 CAGE CODE: 00779 DRAWING NO: C-2188648 RESTRICTED TO: -