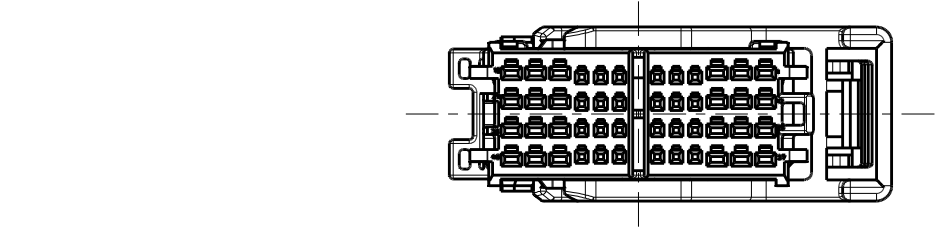
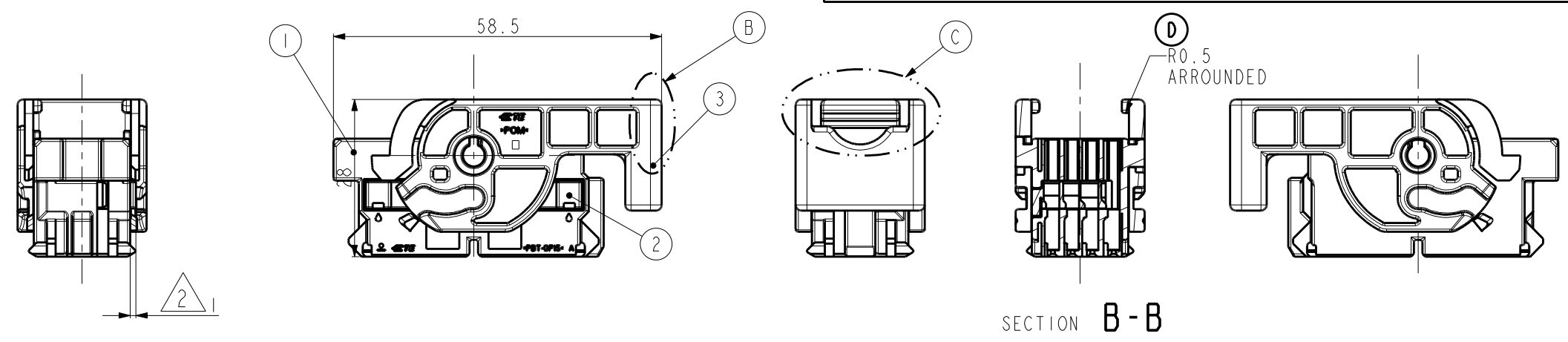
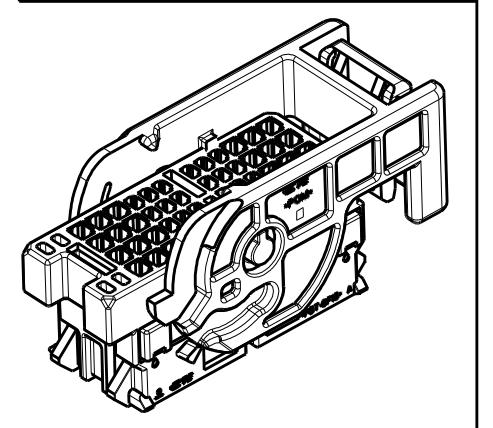


USED ON



- NOTE
- GENERAL TOLERANCE : ± 0.3 , $\pm 1^\circ$
 - CONDITION OF DELIVERY
 - APPLICABLE CAP ASS'Y P/N : 288648
 - APPLICABLE RECEPTACLE CONTACT P/N: TABLE I
 - MAX. REGRIND ALLOWED UP TO TABLE BELOW ACCORDING TO 118-18101-1 AND 118-18101-2

TABLE I

TYPE	P/N	SO
.025TH	2005097-1	0.13~0.22
	2005427-1	0.3~0.5
	(D) 2005154-2	0.3~0.5
.060	2109006-1	0.22~0.35
	2109006-2	0.5~0.75
	2109006-3	0.85~1.25

NO	COLOR	MATERIAL	Max. REGRIND (D)	DESCRIPTION	PART NO.	Q'TY
3	GRAY	POM	15%	LEVER HSG	2188654-3	1 1
2	GRAY	PBT	0%	DBL HSG	2188650-3	1 1
1	NATURAL	PBT-GF15	0%	025/060 HYB 48P PLUG HSG RHD	2188653-1	- 1
1	BLACK	PBT-GF15	0%	025/060 HYB 48P PLUG HSG LHD	2188653-2	1 -

E	REVISED(ECR-17-005815)	29MAY '15	DG	HG
D	REVISED(ECR-16-013882)	07.Oct '16	DG	KT
C	REVISED(ECR-15-017892)	09Dec '15	DG	HG
LTR	REVISION RECORD	DATE	DWN	APVD

DIMENSIONS: mm		TOLERANCES UNLESS OTHERWISE SPECIFIED:	
		0 PLC	±
		1 PLC	±
		2 PLC	±
		3 PLC	±
		4 PLC	±
ANGLES±			
SURFACE TEXTURE			

DWN DG JEONG	MATERIAL -	HEAT TREAT -
CHK -	TE Connectivity	
APVD KT LIM		
NAME 025/060 HYB 48P PLUG ASS'Y		
SCALE 1:1	SIZE A3	DRAWING NO 2188652
SHEET 1 OF 1		REV E

ASS'Y P/N	DESCRIPTION
2188652-2	HYB 48P PLUG ASS'Y LHD
2188652-1	HYB 48P PLUG ASS'Y RHD