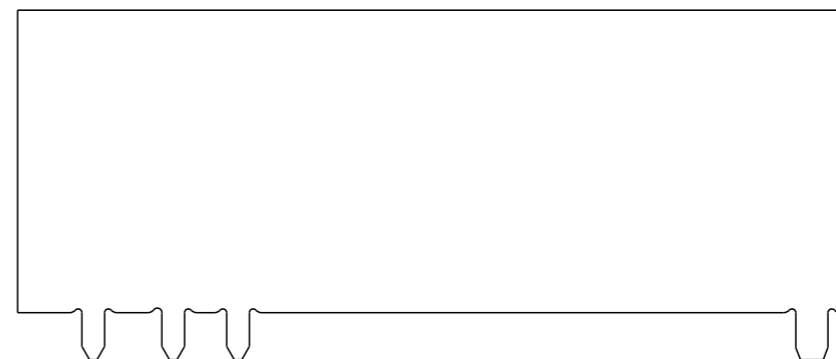
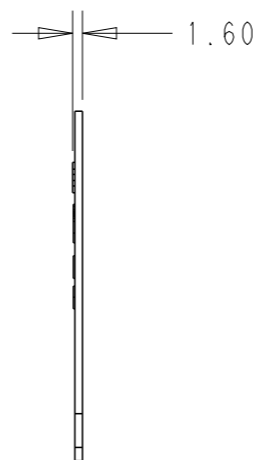
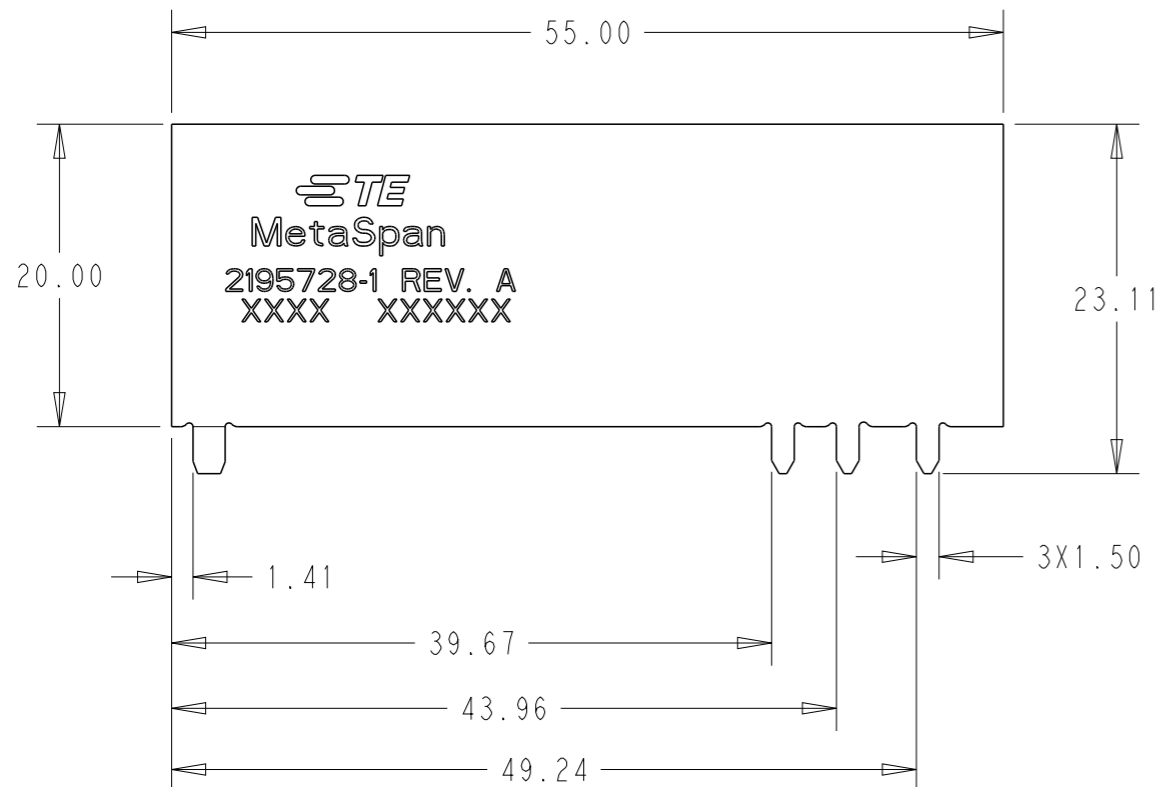

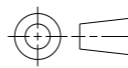


REVISIONS

P	LTR	DESCRIPTION	DATE	DWN	APVD
	2	EDIT STANDARD NOTE	26MAY2020	DC	AC
	A	GO TO PRODUCTION	09JUN2020	DC	AC
	A1	REVISED	08JUN2022	SJ	CY



- FABRICATE TO MEET IPC - 6012, CLASS 2.
INSPECT TO MEET IPC - A - 600, CLASS 2.
- MATERIAL : FR-4 PCB, THICK 1.6mm +/-10%
- FINISH
A. SOLDERMASK BOTH SIDE : ORANGE
B. ENDING PLATING
- PACKAGE SIGULATED PARTS TO BE SECURELY BAG WRAPPED, BAGGED OR VACUUM PACKED IN BULK
- CONSULT TE CONNECTIVITY DATA SHEET DS-2195728
- SILKSCREEN WHITE EPOXY INK
A. TE LOGO TE P/N
B. WORD REV, FOLLOWED BY THE LATEST REVISION LETTER AS SHOWN.
C. 4 DIGIT DATA CODE: FIRST 2 DIGITS FOR THE WEEK CODE AND THE 2ND 2 DIGITS FOR THE YEAR CODE
OTHERS: SPECIFIC TE INTERNAL USE ONLY.
- GENERAL TOLERANCE +/-0.2mm

THIS DRAWING IS A CONTROLLED DOCUMENT.		DWN DC HSIANG 05FEB2020	 TE Connectivity	
DIMENSIONS: mm		CHK SHIN HOO 05FEB2020		
TOLERANCES UNLESS OTHERWISE SPECIFIED:		APVD AMOS CHEAH 05FEB2020	NAME GNSS WORLD BAND ANTENNA	
 0 PLC ±- 1 PLC ±0.5 2 PLC ±0.13 3 PLC ±0.013 4 PLC ±0.0001 ANGLES ±-		PRODUCT SPEC -	RESTRICTED TO -	
MATERIAL TBD		FINISH -	APPLICATION SPEC -	SIZE A3
-		finish_spec_2	WEIGHT -	CAGE CODE 00779
CUSTOMER DRAWING			DRAWING NO G-2195728	SCALE 2:1
			SHEET 1 OF 1	REV A1