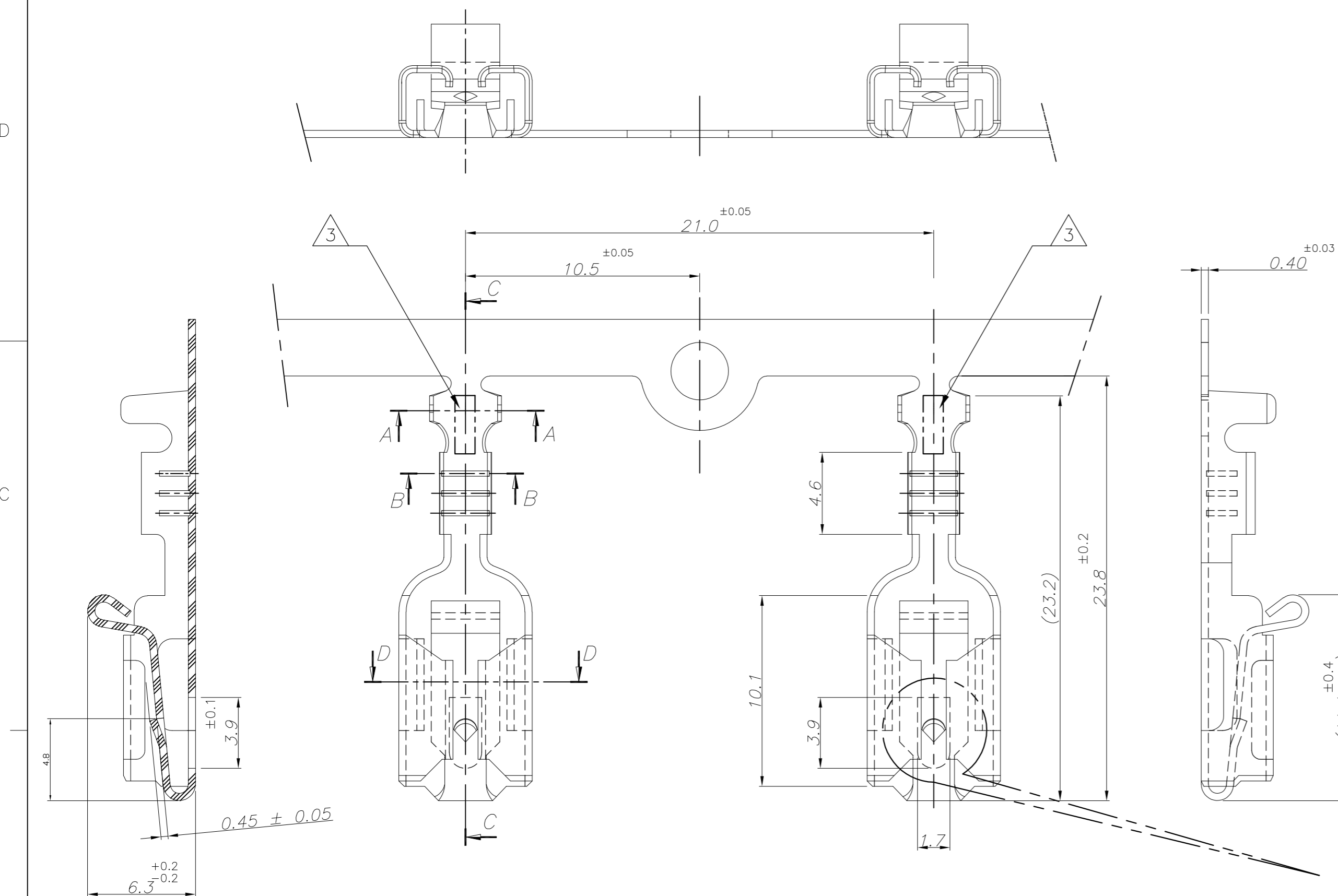
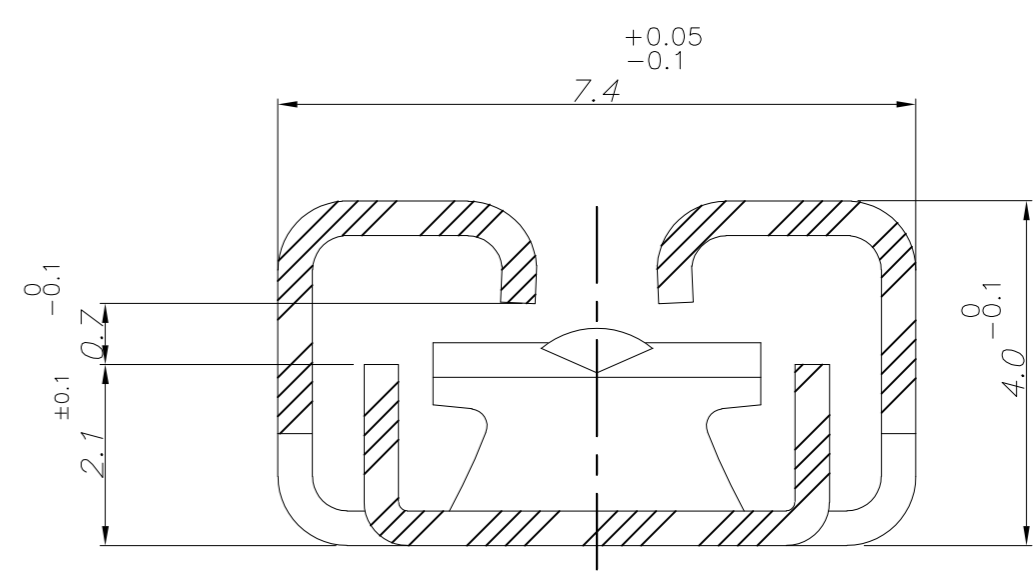


THIS DRAWING IS UNPUBLISHED. RELEASED FOR PUBLICATION  
 © COPYRIGHT - By - ALL RIGHTS RESERVED.

LOC		DIST		REVISIONS			
P	LTR	DESCRIPTION		DATE	DWN	APVD	
	A	CONVERTED FORM XOL TO TE FORMAT		19APR2012	KH	PM	

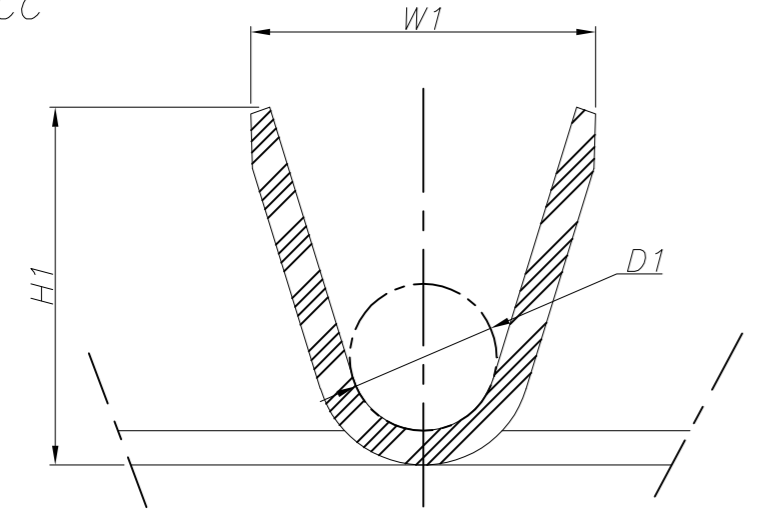
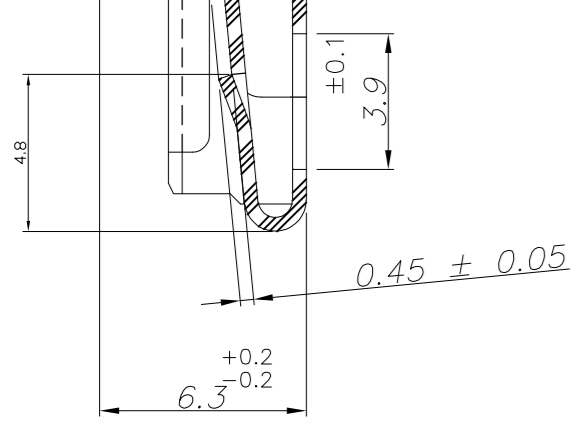


- 1 MATERIAL DESCRIPTION: BRASS  
GRADE: CuZn30  
HARDNESS: 160-190 HV5
- 2 PART NUMBER: SEE TABLE
- 3 LOGO APPROXIMATELY AS SHOWN
- 4 INSERTION FORCE OF TERMINAL WITH CONNECTOR=1.5KgF(MAX)
- 5 TERMINAL INSERTION FORCE WITH MATING TAB(WITH CONNECTOR)=1.8KgF(MAX)
- 6 TERMINAL INSERTION FORCE WITH MATING TAB(WITHOUT CONNECTOR)=1.5KgF(MAX)
- 7 WITHDRAWL FORCE FROM TAB(WITH CONNECTOR)=1.2KgF(MIN)
- 8 WITHDRAWL FORCE OF TERMINAL FROM CONNECTOR=6.0KgF(MIN)

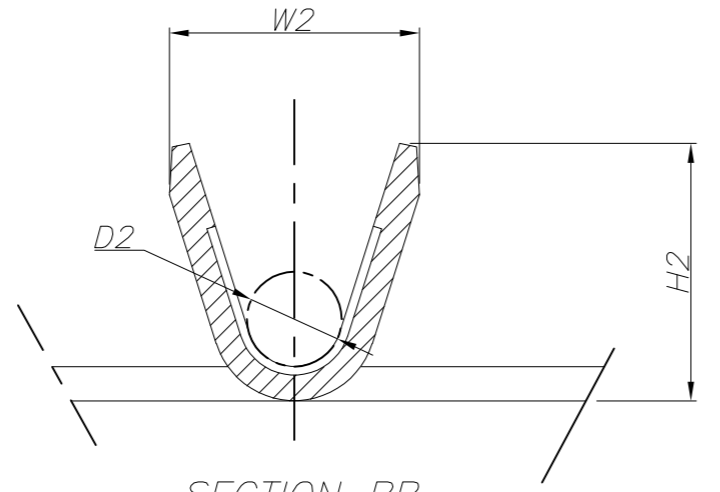


SECTION DD  
SCALE 20:1

SECTION CC



SECTION AA  
SCALE 20:1

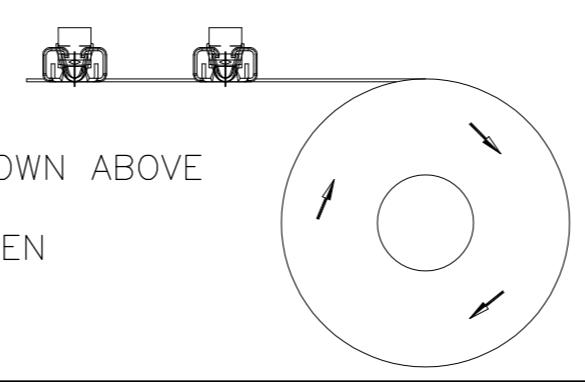


SECTION BB  
SCALE 20:1

1.7	3.2	4.0	6.1	3.8	5.9	2.7-4.0	1.0-2.5	TIN PLATED	08 00 05	8063-2033-1	2196069-6
								NON-PLATED	08 00 05	8063-2033	2196069-5
2.4	4.0	4.8	6.6	4.6	6.3	3.3-4.5	2.5-4.5	TIN PLATED	08 00 05	8063-2034-1	2196069-4
								NON-PLATED	08 00 05	8063-2034	2196069-3
1.1	2.0	3.0	4.1	2.9	3.7	2.0-3.3	0.5-1.0	TIN PLATED	08 00 05	8063-2032-1	2196069-2
								NON-PLATED	08 00 05	8063-2032	2196069-1
D2 ±0.2	D1 ±0.2	H2 ±0.2	H1 ±0.2	W2 ±0.2	W1 ±0.2	CONDUCTOR RANGE	WIRE RANGE	FINISH	TEK DWG NO	TEK PART NO	TE PART NO

UN-SPECIFIED TOLERANCE					
OVER	UPTO	TOL.	OVER	UPTO	TOL.
	03	±0.1	50	80	±0.35
03	10	±0.15	80	120	±0.4
10	18	±0.2	120	250	±0.5
18	30	±0.25	250	315	±0.6
30	50	±0.3	ANGLE		±2°

- 1 TERMINALS WINDING DIRECTION IS CLOCKWISE AS SHOWN ABOVE
- 2 TERMINALS SHALL BE COVERED WITH PAPER INBETWEEN



THIS DRAWING IS A CONTROLLED DOCUMENT.

DWN	KIRAN HOLAL	19APR2012
CHK	KUNAL G	19APR2012
APVD	PRADEEP M	19APR2012

TE Connectivity

RECEPTACLE TERM, 250 SER

SIZE	A2	CAGE CODE	00779	DRAWING NO	C=2196069	RESTRICTED TO	-
SCALE	NTS	SHEET	1 of 1	REV	A		

CUSTOMER DRAWING