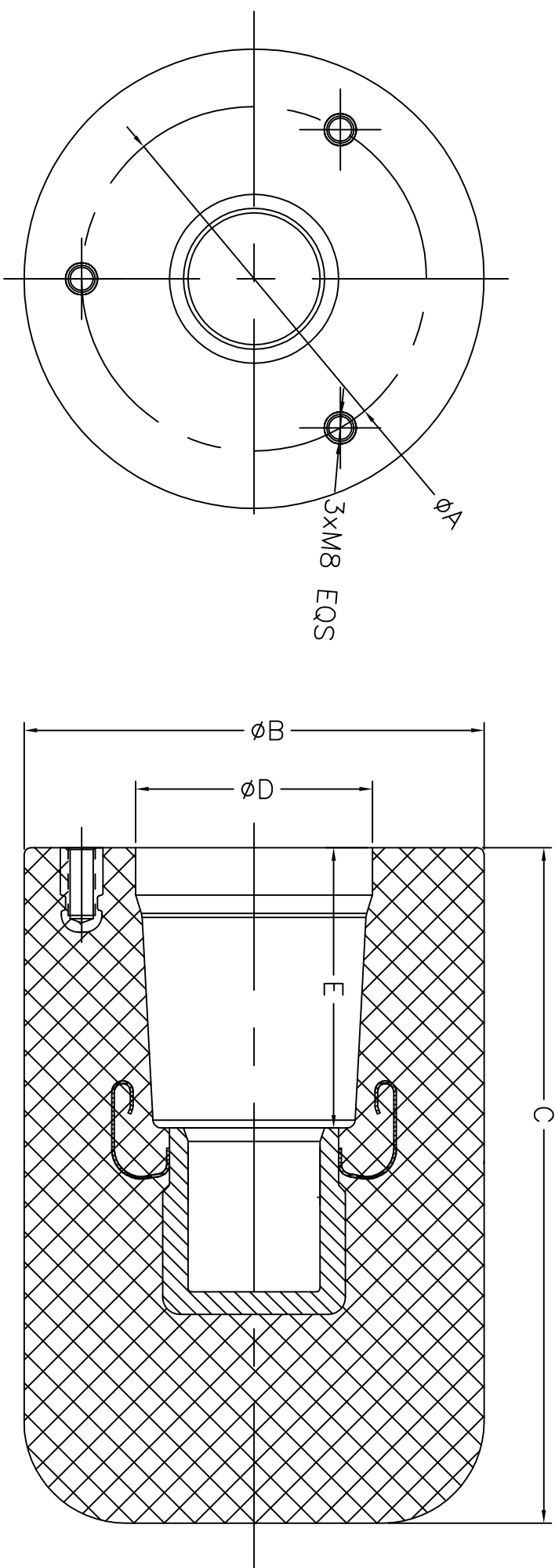


LOC	DIST	REVISIONS	DATE	DMN	APVD
-	-				
		P			
		LTR			
		1	CREATE	20MAR2014	GXR W.Y



PN	DESCRIPTION	ϕA	ϕB	C	ϕD	E
2197048-1	MVCA-RPIT-3-IS	102	136	200	70	83
2197048-2	MVCA-RPIT-2-IS	130	170	224	92.5	110

THIS DRAWING IS A CONTROLLED DOCUMENT.

DMN	GU XIAORAN	18AUG2014
CHK	MARTIN XUE	18AUG2014
APVD	WANG YANNY	18AUG2014
PRODUCT SPEC		
APPLICATION SPEC		
WEIGHT		

TOLERANCES UNLESS OTHERWISE SPECIFIED:

0 PLC	\pm
1 PLC	\pm
2 PLC	\pm
3 PLC	\pm
4 PLC	\pm
ANGLES	\pm

FINISH: -

MATERIAL: EPOXY

STE TE Connectivity

MVCA-RPIT-IS

SIZE: A3
 CAGE CODE: 00779
 DRAWING NO: 2197048

CUSTOMER DRAWING

SCALE: 1:1
 SHEET: 1 OF 1
 REV: 1

RESTRICTED TO: -