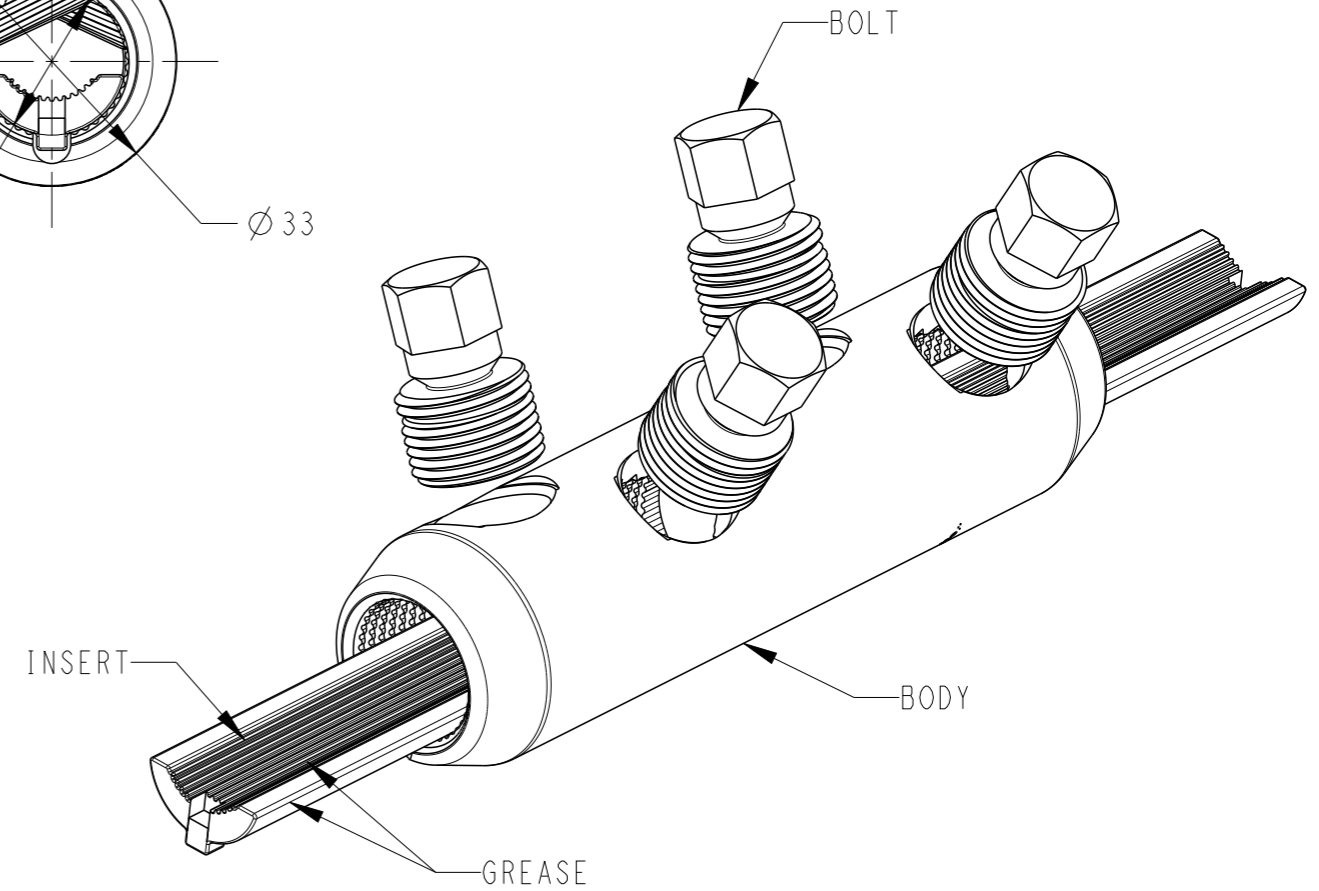
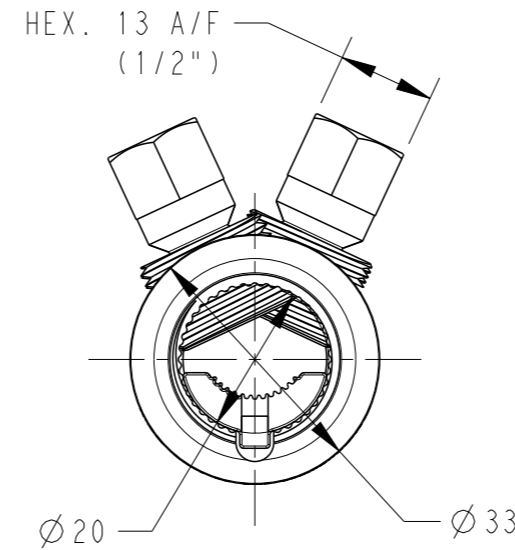
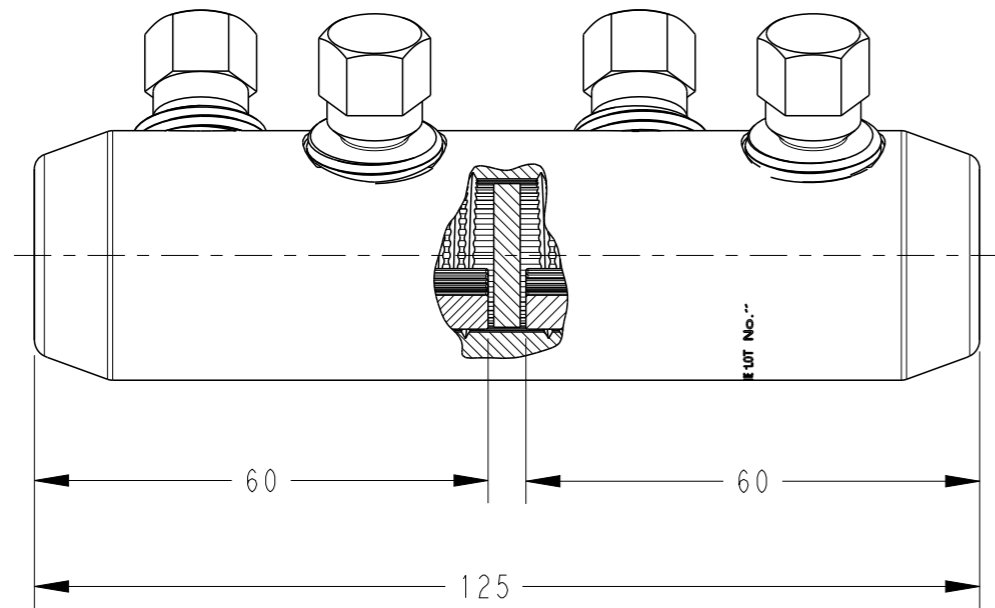


P	LTR	DESCRIPTION	DATE	DWN	APVD
	A	INITIAL RELEASE	18DEC2020	RS	NA



TCPN	DESCRIPTION	CROSS SECTION (mm ²)
2197203-1	BSMB-95/240-CN	95-240

THIS DRAWING IS A CONTROLLED DOCUMENT.		DWN	RAVI.S	18DEC2020		
DIMENSIONS: mm		CHK	L. JONATHAN	18DEC2020		
		APVD	N. ALMEIDA	18DEC2020		
TOLERANCES UNLESS OTHERWISE SPECIFIED:		PRODUCT SPEC		NAME		
0 PLC	±-	-		BSMB-95/240-CN		
1 PLC	±-	-		APPLICATION SPEC		
2 PLC	±-	-		-		
3 PLC	±-	-		SIZE		
4 PLC	±-	-		CAGE CODE		
ANGLES	±-	-		DRAWING NO		
FINISH	-	WEIGHT		RESTRICTED TO		
		226 g		-		
CUSTOMER DRAWING				SCALE		SHEET
				NTS		1 OF 1
						REV
						A