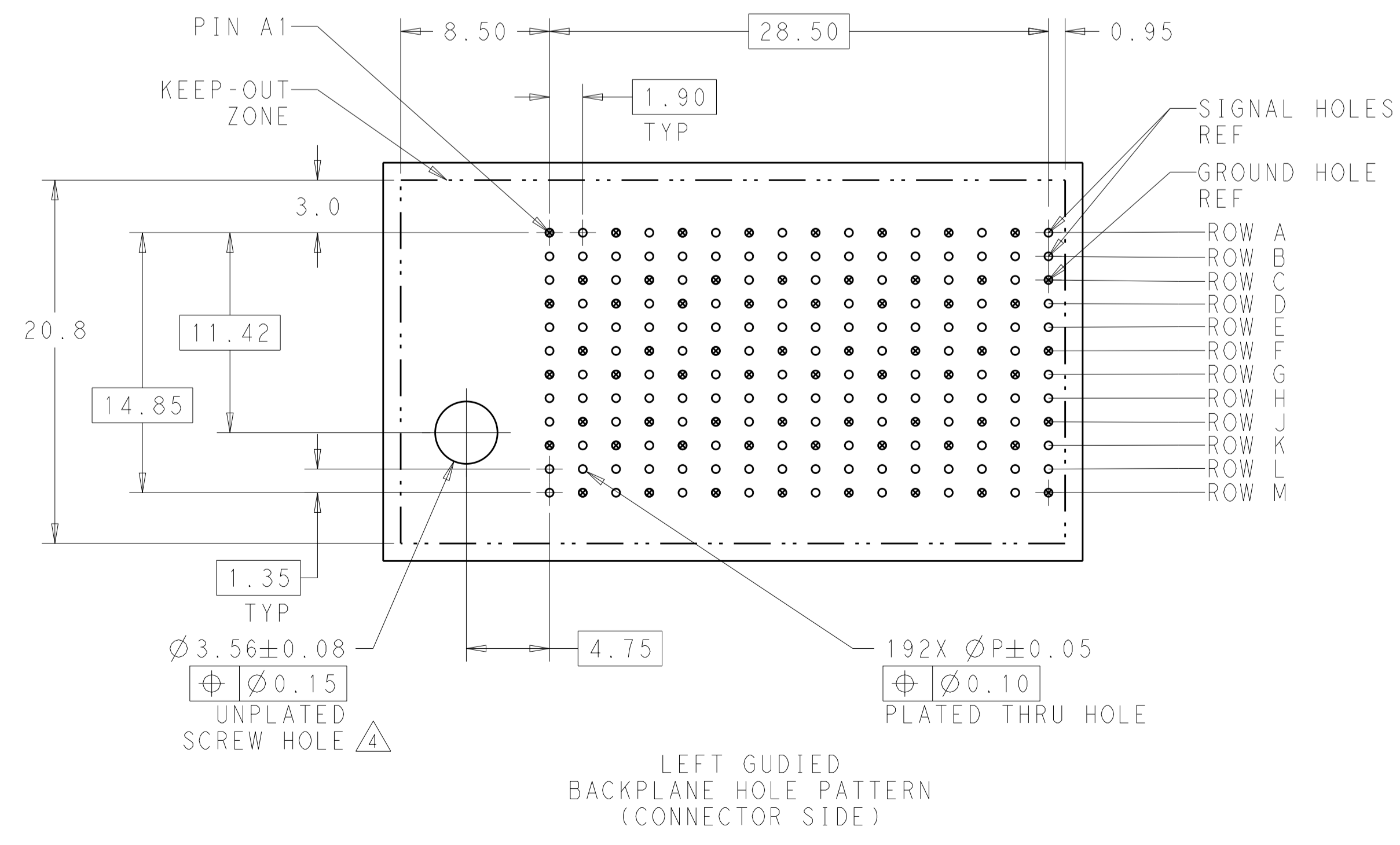
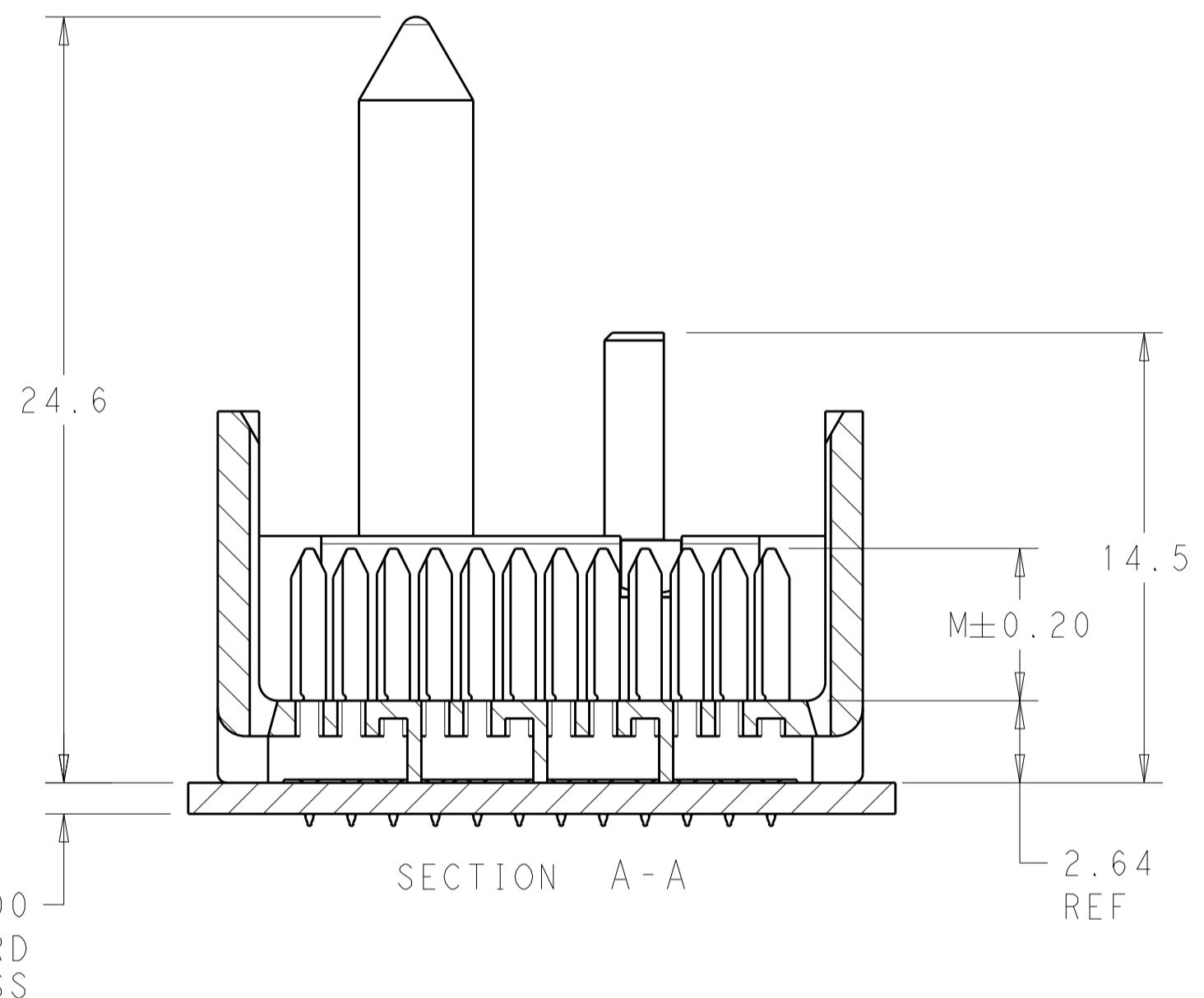
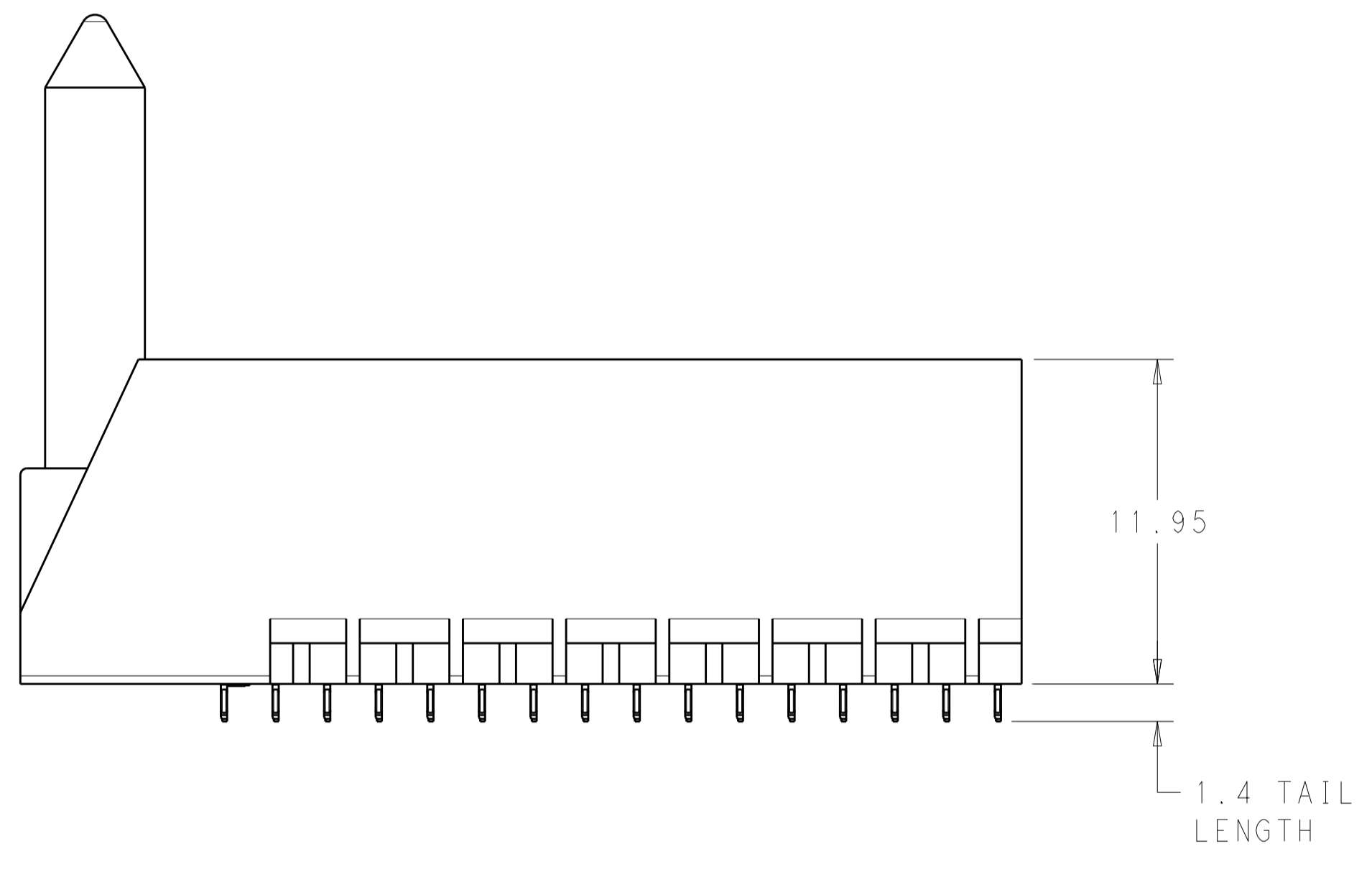
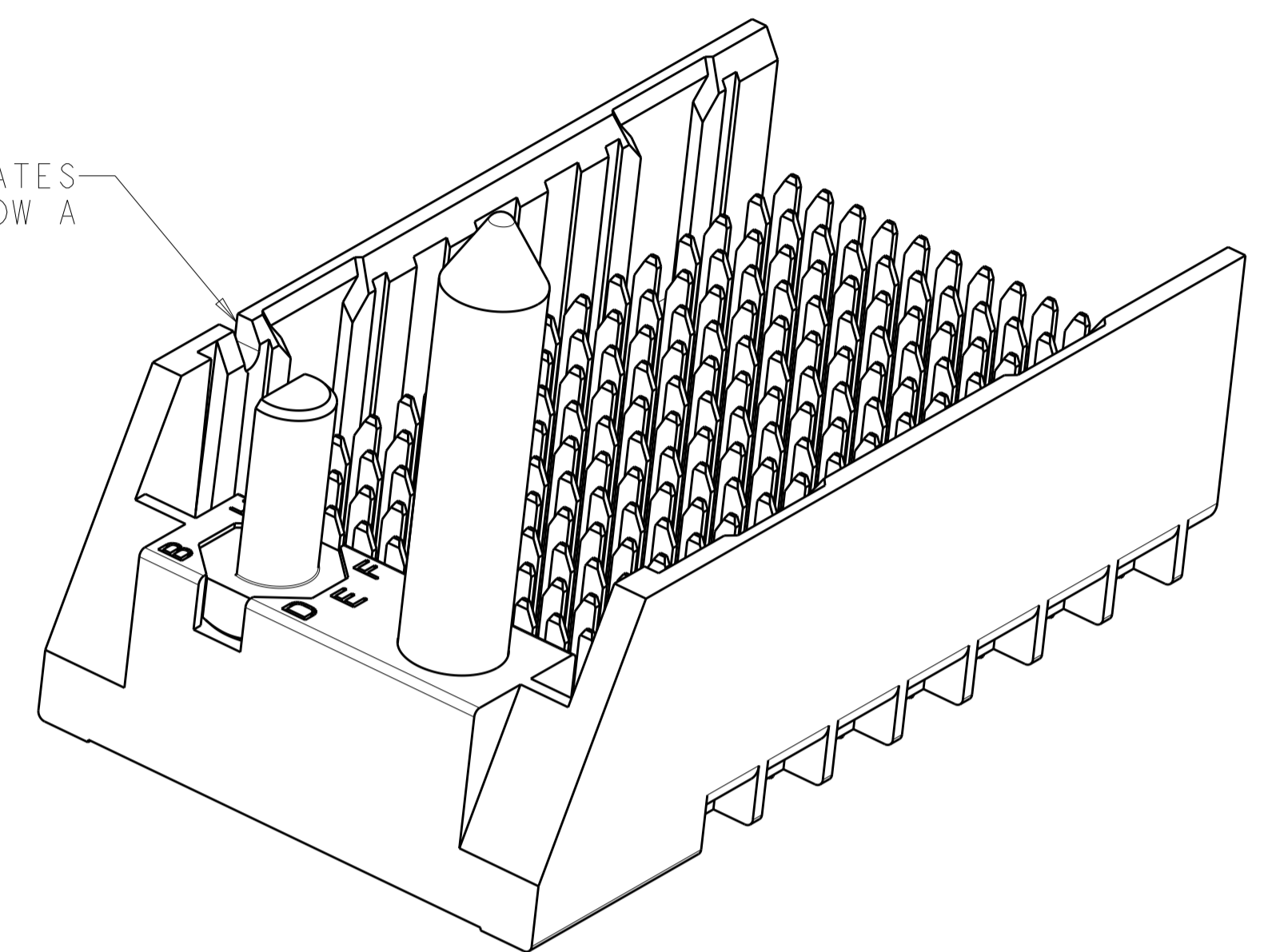
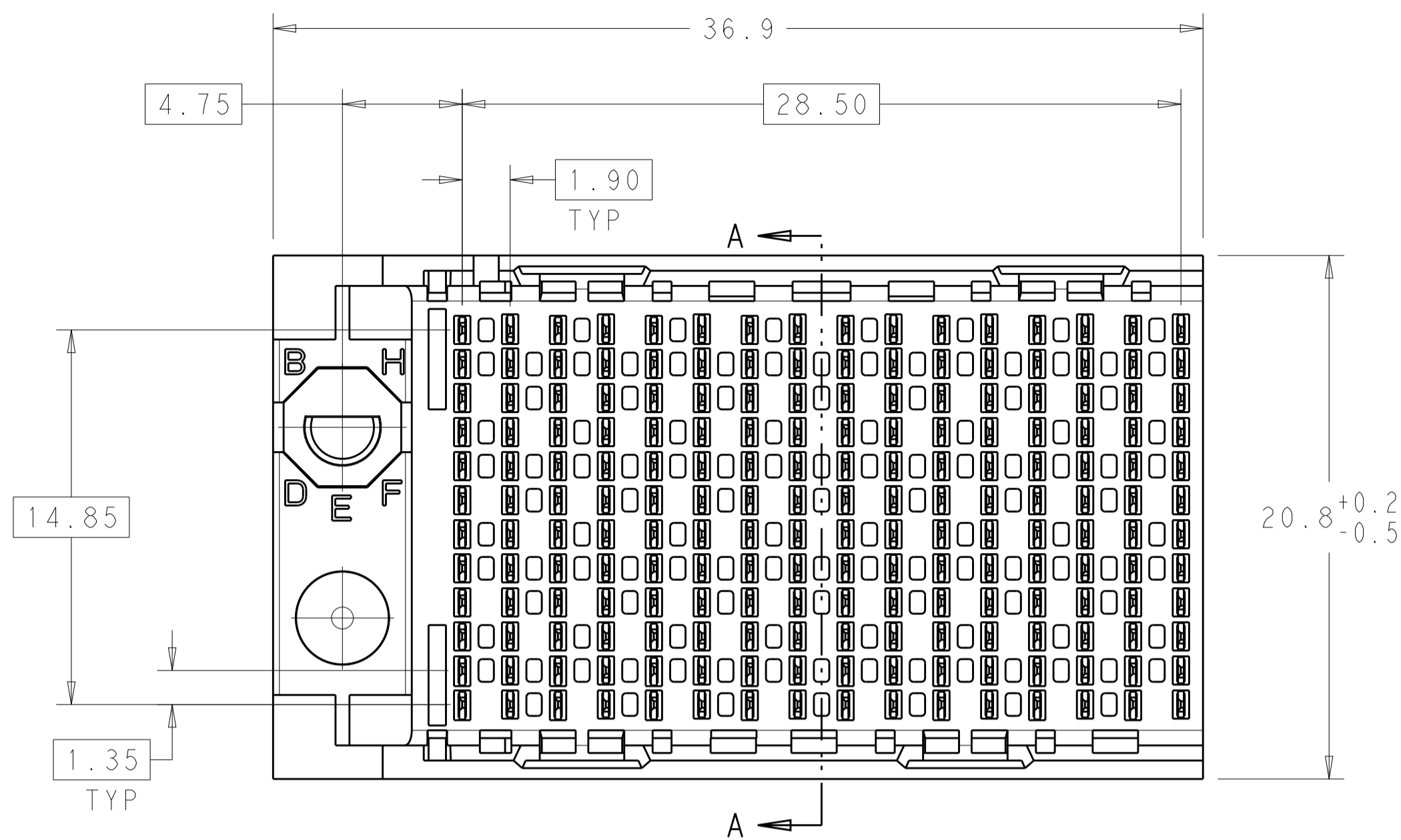


LOC		DIST		REVISIONS			
P	LTN	DESCRIPTION	DATE	DWN	APVD		
A		REVISED PER ECO-15-003242	24MAR2015	AP	DD		

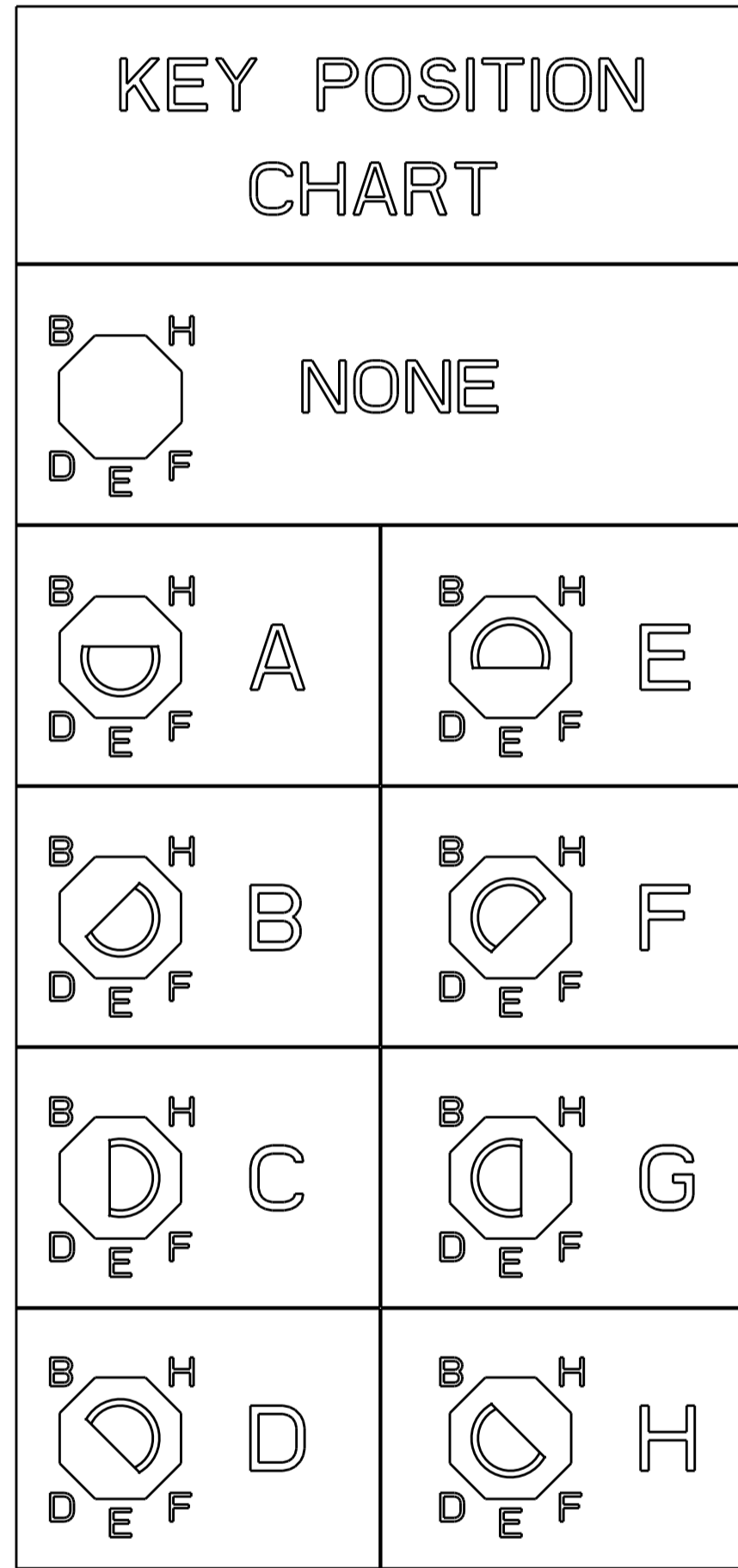


THIS DRAWING IS A CONTROLLED DOCUMENT.		DWN B. CARBO 19DEC2012	TE Connectivity NAME: IMPACT.85 OHM, STANDARD, 4 PAIR PLUS, 16 COLUMN HEADER, LEFT GUIDED, OPEN ENDWALL, SIGNAL MODULE SIZE: CAGE CODE DRAWING NO: A100779C=2198044 RESTRICTED TO:
DIMENSIONS: mm		CHK D. DIXON 19DEC2012	
TOLERANCES UNLESS OTHERWISE SPECIFIED: 0 PLC ± 1 PLC ±0.25 2 PLC ±0.13 3 PLC ± 4 PLC ± ANGLES ±		PRODUCT SPEC APPLICATION SPEC WEIGHT FINISH SEE TABLE	
MATERIAL		APVD D. DIXON 19DEC2012	Customer Drawing

LOC	DIST	REV	DATE	BY	APPV
AD	00				

H	0.46	5.5	8-2198044-6
H	0.46	4.9	8-2198044-5
H	0.46	4.5	8-2198044-4
H	0.39	5.5	8-2198044-3
H	0.39	4.9	8-2198044-2
H	0.39	4.5	8-2198044-1
G	0.46	5.5	7-2198044-6
G	0.46	4.9	7-2198044-5
G	0.46	4.5	7-2198044-4
G	0.39	5.5	7-2198044-3
G	0.39	4.9	7-2198044-2
G	0.39	4.5	7-2198044-1
F	0.46	5.5	6-2198044-6
F	0.46	4.9	6-2198044-5
F	0.46	4.5	6-2198044-4
F	0.39	5.5	6-2198044-3
F	0.39	4.9	6-2198044-2
F	0.39	4.5	6-2198044-1
E	0.46	5.5	5-2198044-6
E	0.46	4.9	5-2198044-5
E	0.46	4.5	5-2198044-4
E	0.39	5.5	5-2198044-3
E	0.39	4.9	5-2198044-2
E	0.39	4.5	5-2198044-1
D	0.46	5.5	4-2198044-6
D	0.46	4.9	4-2198044-5
D	0.46	4.5	4-2198044-4
D	0.39	5.5	4-2198044-3
D	0.39	4.9	4-2198044-2
D	0.39	4.5	4-2198044-1
C	0.46	5.5	3-2198044-6
C	0.46	4.9	3-2198044-5
C	0.46	4.5	3-2198044-4
C	0.39	5.5	3-2198044-3
C	0.39	4.9	3-2198044-2
C	0.39	4.5	3-2198044-1
B	0.46	5.5	2-2198044-6
B	0.46	4.9	2-2198044-5
B	0.46	4.5	2-2198044-4
B	0.39	5.5	2-2198044-3
B	0.39	4.9	2-2198044-2
B	0.39	4.5	2-2198044-1
A	0.46	5.5	1-2198044-6
A	0.46	4.9	1-2198044-5
A	0.46	4.5	1-2198044-4
A	0.39	5.5	1-2198044-3
A	0.39	4.9	1-2198044-2
A	0.39	4.5	1-2198044-1
-	0.46	5.5	2198044-6
-	0.46	4.9	2198044-5
-	0.46	4.5	2198044-4
-	0.39	5.5	2198044-3
-	0.39	4.9	2198044-2
-	0.39	4.5	2198044-1
KEY POSITION	P PLATED THROUGH HOLE SIZE	M POST LENGTH	PART NUMBER

- 1 MATERIAL:
HOUSING: LCP, GLASS FILLED, UL94V-0.
TERMINALS: HIGH PERFORMANCE COPPER ALLOY.
- 2 FINISH:
30μ" MIN GOLD IN CONTACT AREA. SELECTIVE TIN
ON PCB TAILS, NICKEL OVERALL.
- 3. SCREWS PACKAGED IN END OF PACKAGING TUBE.
- 4 FOR GROUNDED GUIDE PIN USE Ø3.56±0.08 PTH,
Ø3.66 DRILL, AND Ø6.5 PAD.
- 5. KEYING PIN SHOWN IN POSITION A, SEE KEYING CHART
ON SHEET 2 FOR OTHER POSITIONS.



REFER TO WWW.TE.COM
FOR PRODUCT AVAILABILITY

THIS DRAWING IS A CONTROLLED DOCUMENT.		OWN: B. CARBO 19DEC2012	TE Connectivity
DIMENSIONS: mm		CHK: D. DIXON 19DEC2012	
TOLERANCES UNLESS OTHERWISE SPECIFIED:		APPV: D. DIXON 19DEC2012	
0 PLC ±0.25	1 PLC ±0.13	2 PLC ±0.13	NAME: IMPACT.85 OHM, STANDARD, 4 PAIR PLUS, 16 COLUMN HEADER, LEFT GUIDED, OPEN ENDWALL, SIGNAL MODULE
3 PLC ±0.13	4 PLC ±0.13	5 PLC ±0.13	PRODUCT SPEC
ANGLES	FINISH	WEIGHT	APPLICATION SPEC
SEE TABLE	SEE TABLE	Customer Drawing	SIZE: A100779 C=2198044
		SCALE: 5:1	SHEET 2 OF 2
			REV A