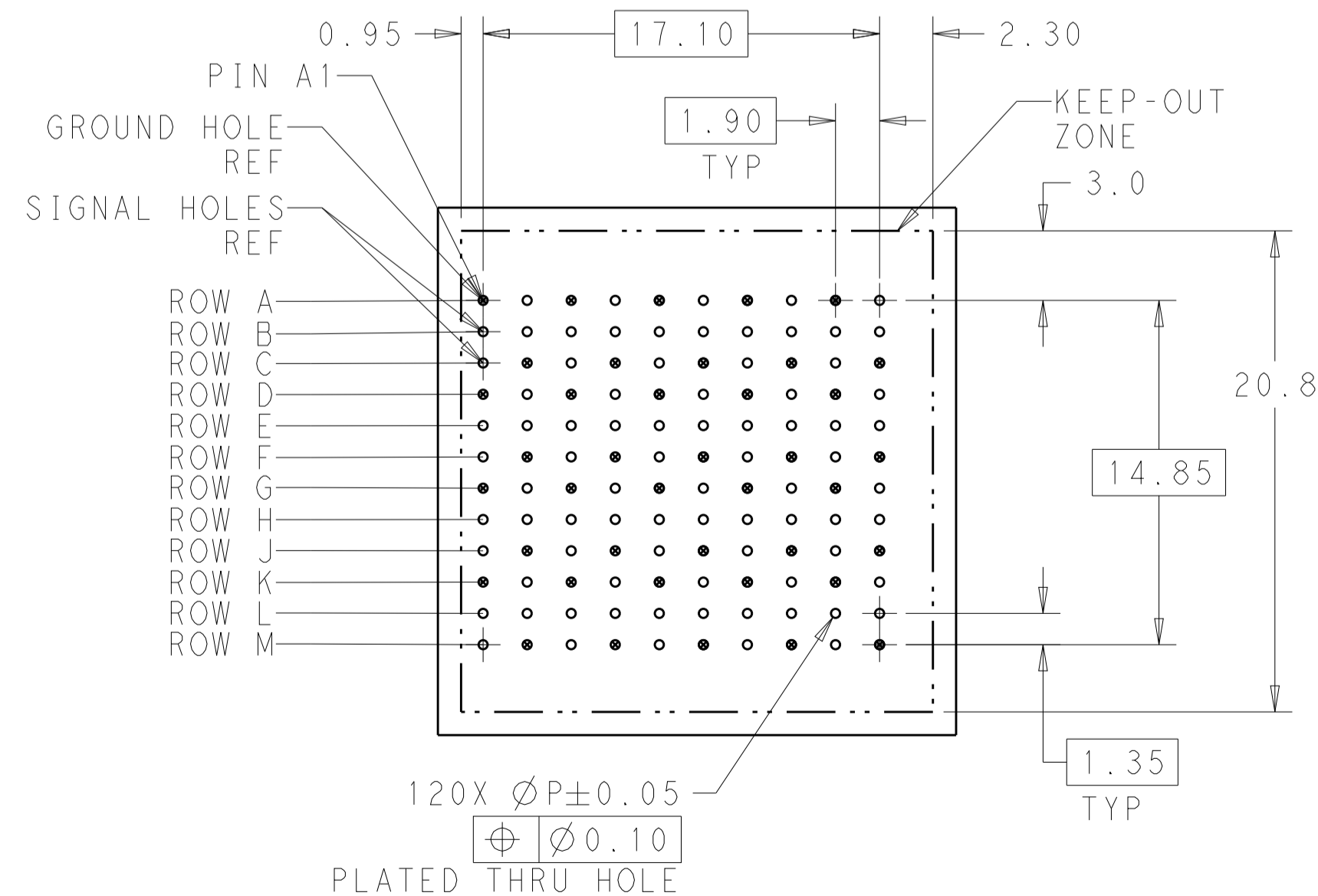
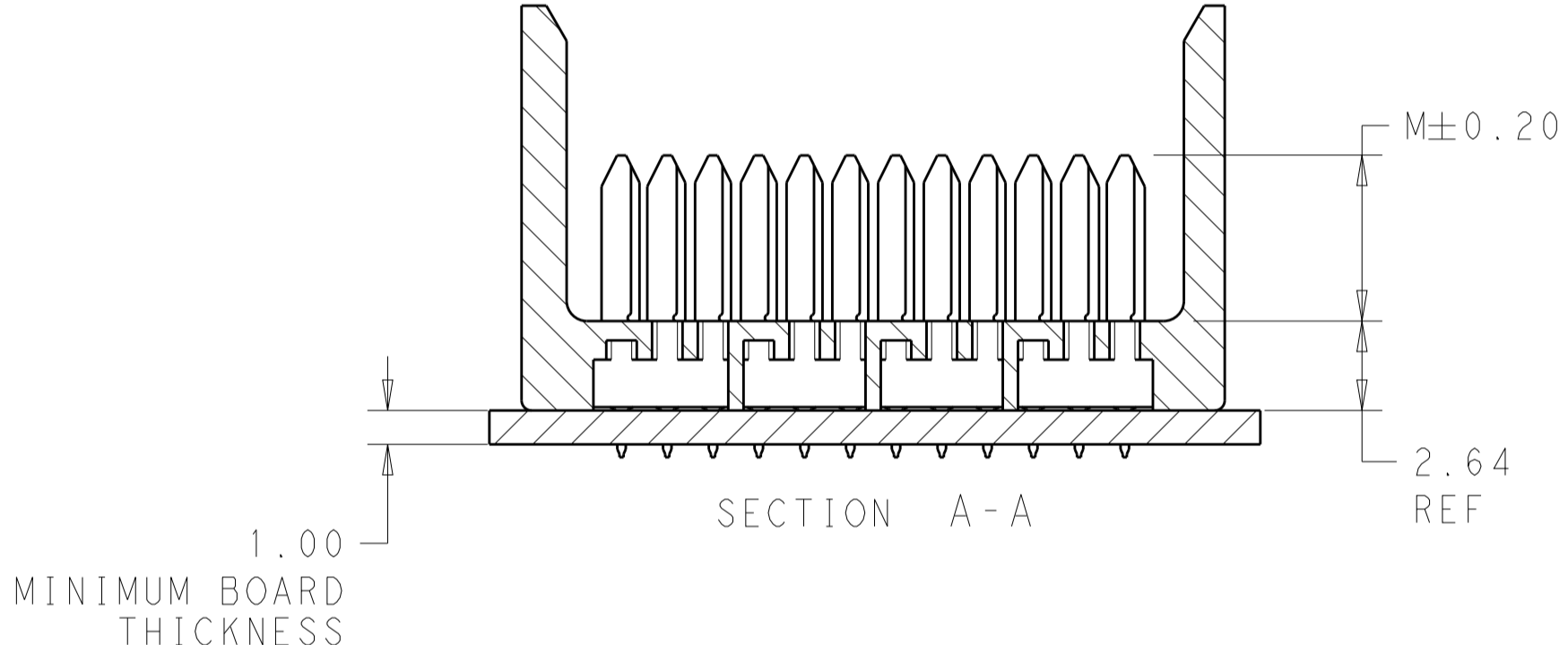
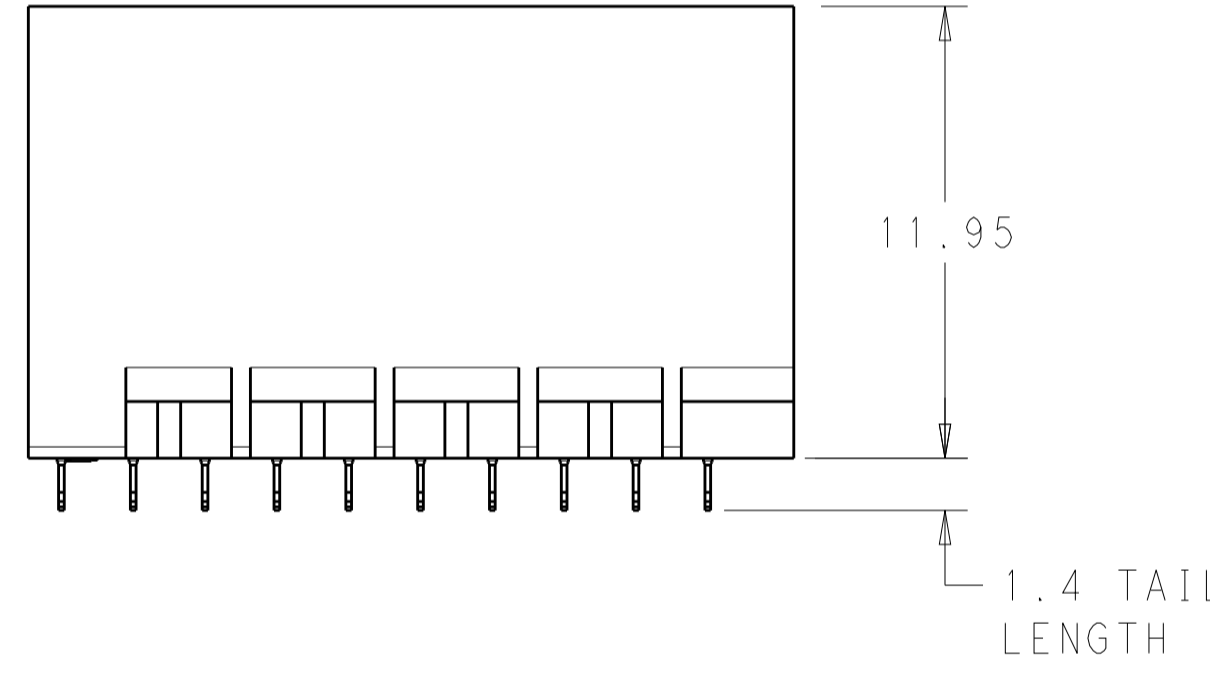
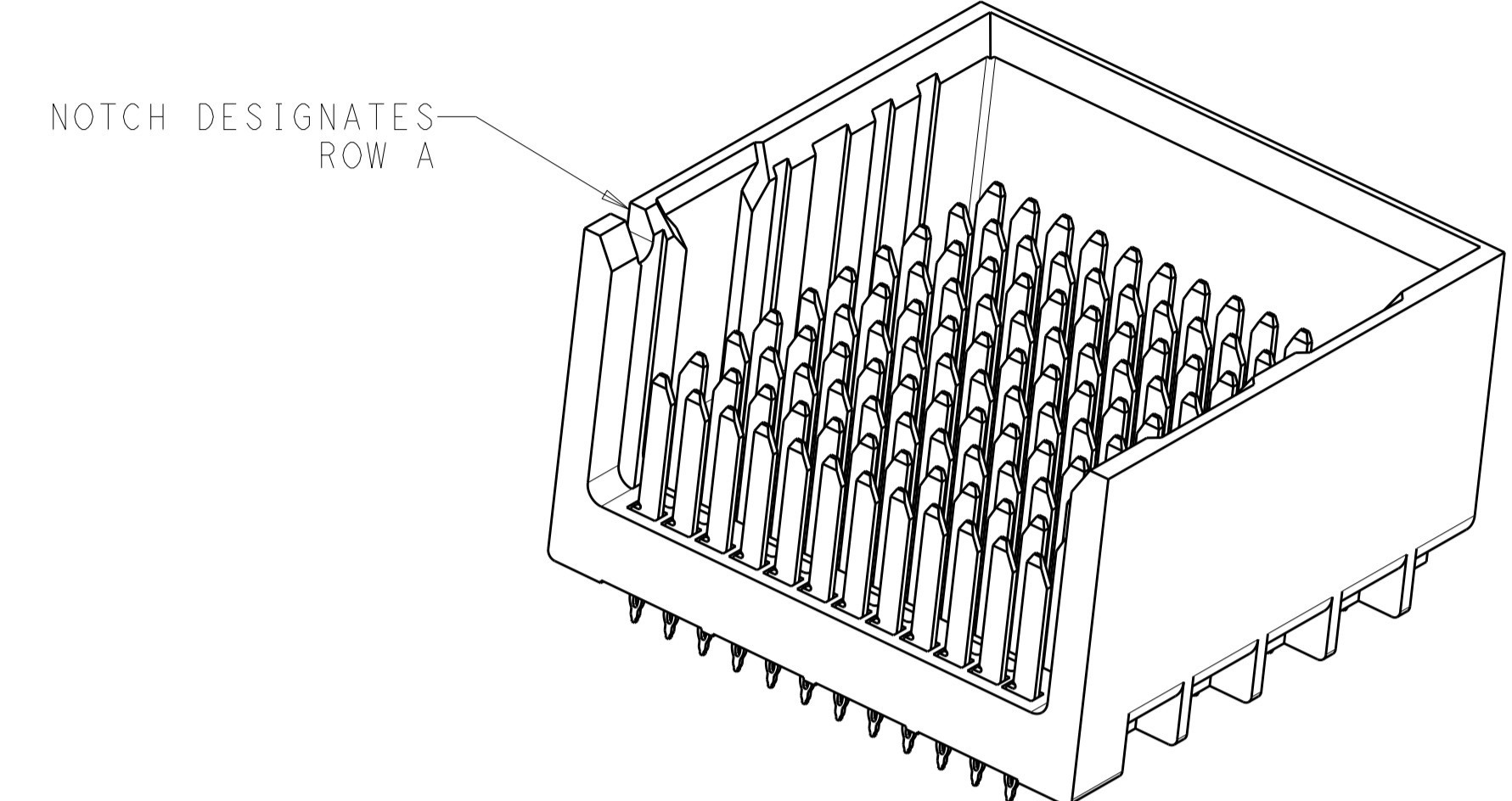
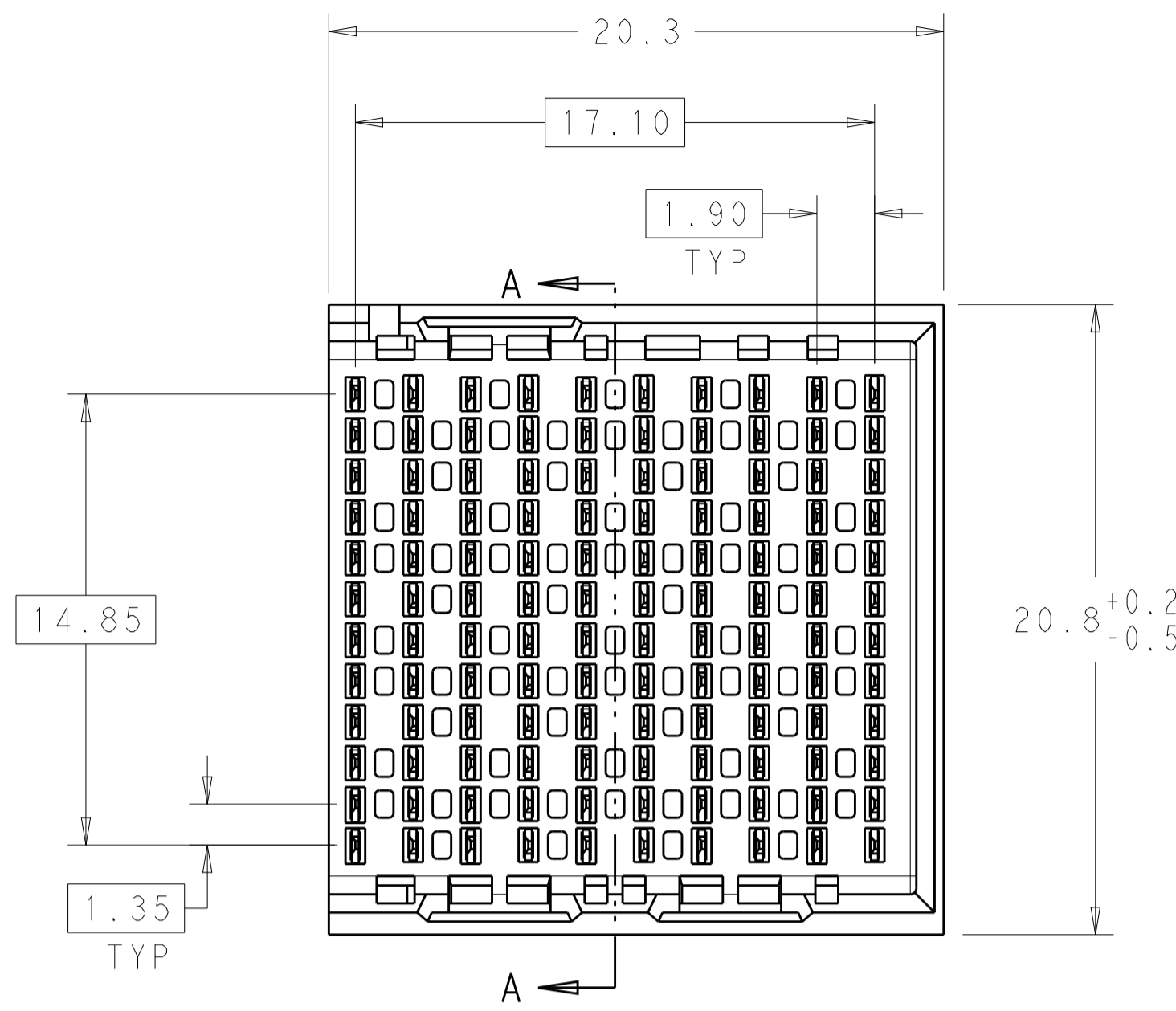


LOC		DIST		REVISIONS			
P	LTN	DESCRIPTION	DATE	DWN	APVD		
A		REVISED PER ECO-15-003242	24MAR2015	AP	DD		



UNGUIDED
 BACKPLANE HOLE PATTERN
 (CONNECTOR SIDE)

THIS DRAWING IS A CONTROLLED DOCUMENT.		DWN: B. CARBO 12DEC2012	TE Connectivity
DIMENSIONS: mm		CHK: D. DIXON 12DEC2012	
TOLERANCES UNLESS OTHERWISE SPECIFIED:		APVD: D. DIXON 12DEC2012	NAME: IMPACT 85 OHM, STANDARD 4 PAIR PLUS, 10 COLUMN HEADER, UNGUIDED, RIGHT ENDWALL, SIGNAL MODULE
0 PLC ± 1 PLC ±0.25 2 PLC ±0.13 3 PLC ± 4 PLC ± ANGLES ±	SEE TABLE	PRODUCT SPEC APPLICATION SPEC SIZE: CAGE CODE DRAWING NO WEIGHT: A100779C=2198059	RESTRICTED TO
MATERIAL: SEE TABLE		Customer Drawing	SCALE: 5:1 SHEET 1 OF 2 REV A

THIS DRAWING IS UNPUBLISHED. RELEASED FOR PUBLICATION 20
 © COPYRIGHT 20 BY - ALL RIGHTS RESERVED.

LOC	DIST	REVISIONS					
		P	LTN	DESCRIPTION	DATE	DMN	APVD
AD	00	-	-	SEE SHEET 1	-	-	-

- 1 MATERIAL:
HOUSING: LCP, GLASS FILLED, UL94V-0.
TERMINALS: HIGH PERFORMANCE COPPER ALLOY.
- 2 FINISH:
30μ" MIN GOLD IN CONTACT AREA. SELECTIVE TIN
ON PCB TAILS, NICKEL OVERALL.
- 3. SCREWS PACKAGED IN END OF PACKAGING TUBE.
- 4 FOR GROUNDED GUIDE PIN USE Ø3.56±0.08 PTH,
Ø3.66 DRILL, AND Ø6.5 PAD.
- 5. KEYING PIN SHOWN IN POSITION A, SEE KEYING CHART
ON SHEET 2 FOR OTHER POSITIONS.

0.46	5.5	2198059-6
0.46	4.9	2198059-5
0.46	4.5	2198059-4
0.39	5.5	2198059-3
0.39	4.9	2198059-2
0.39	4.5	2198059-1
P PLATED THROUGH HOLE SIZE	M POST LENGTH	PART NUMBER

REFER TO WWW.TE.COM
FOR PRODUCT AVAILABILITY

THIS DRAWING IS A CONTROLLED DOCUMENT.		DMN B. CARBO	12DEC2012	
		CHK D. DIXON	12DEC2012	
DIMENSIONS:		APVD D. DIXON	12DEC2012	NAME IMPACT, 85 OHM, STANDARD, 4 PAIR PLUS, 10 COLUMN HEADER, UNGUIDED, RIGHT ENDWALL, SIGNAL MODULE
TOLERANCES UNLESS OTHERWISE SPECIFIED:		PRODUCT SPEC		
mm	0 PLC ± 1 PLC ±0.25 2 PLC ±0.13 3 PLC ± 4 PLC ±	APPLICATION SPEC		SIZE A100779C=2198059
	ANGLES ±	WEIGHT		
MATERIAL		Customer Drawing		RESTRICTED TO
FINISH SEE TABLE		SCALE 5:1		SHEET 2 OF 2
				REV A