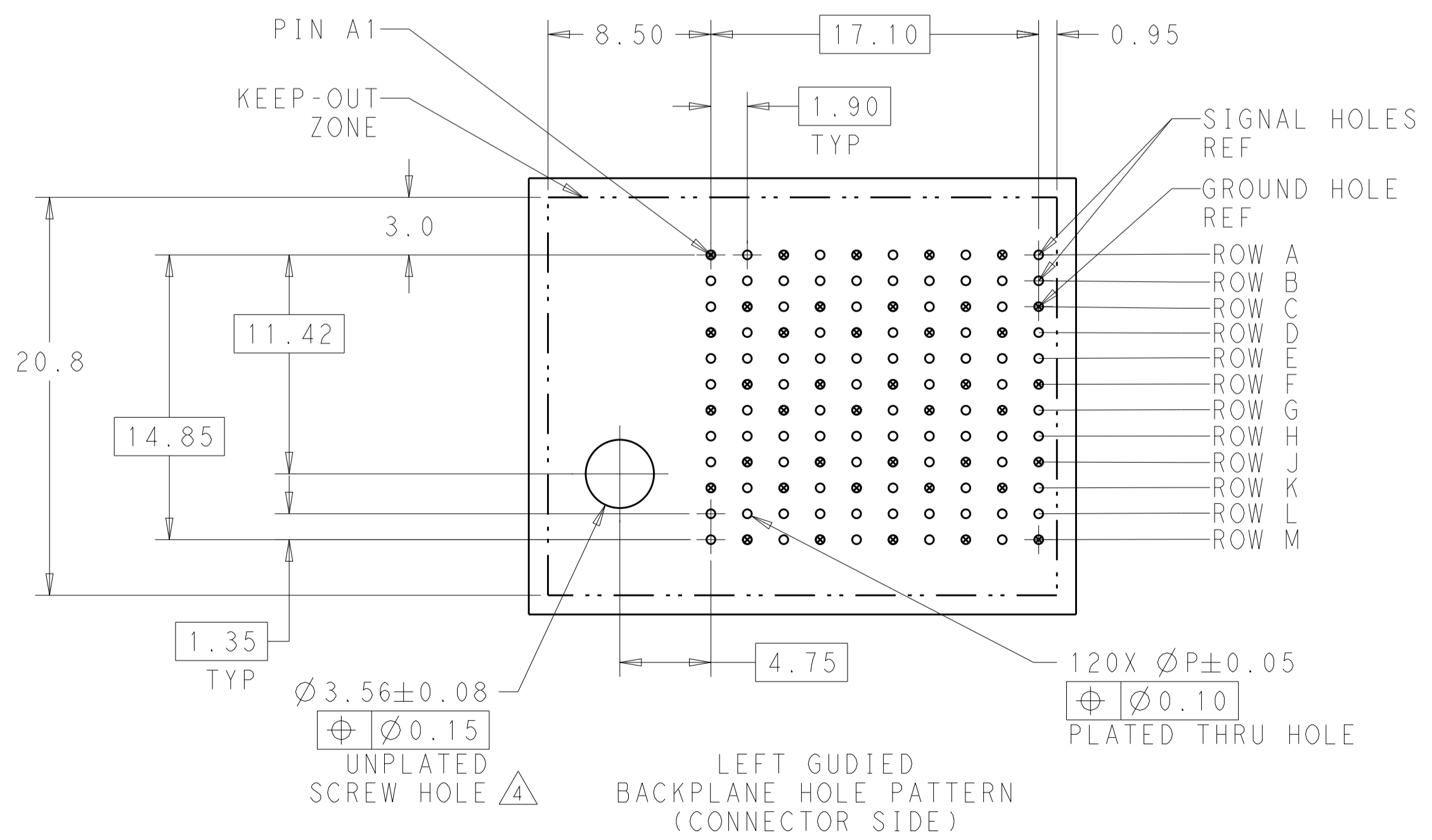
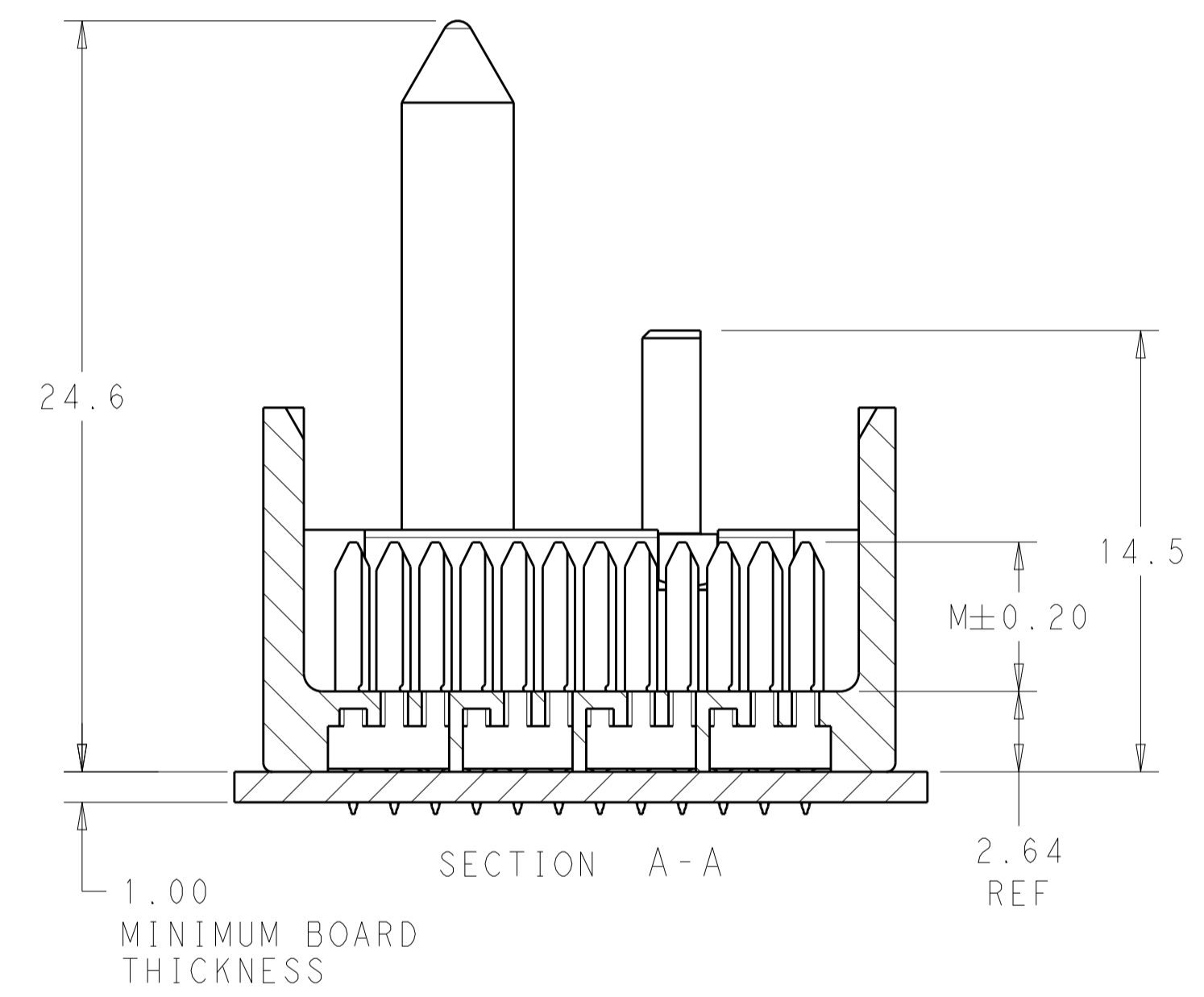
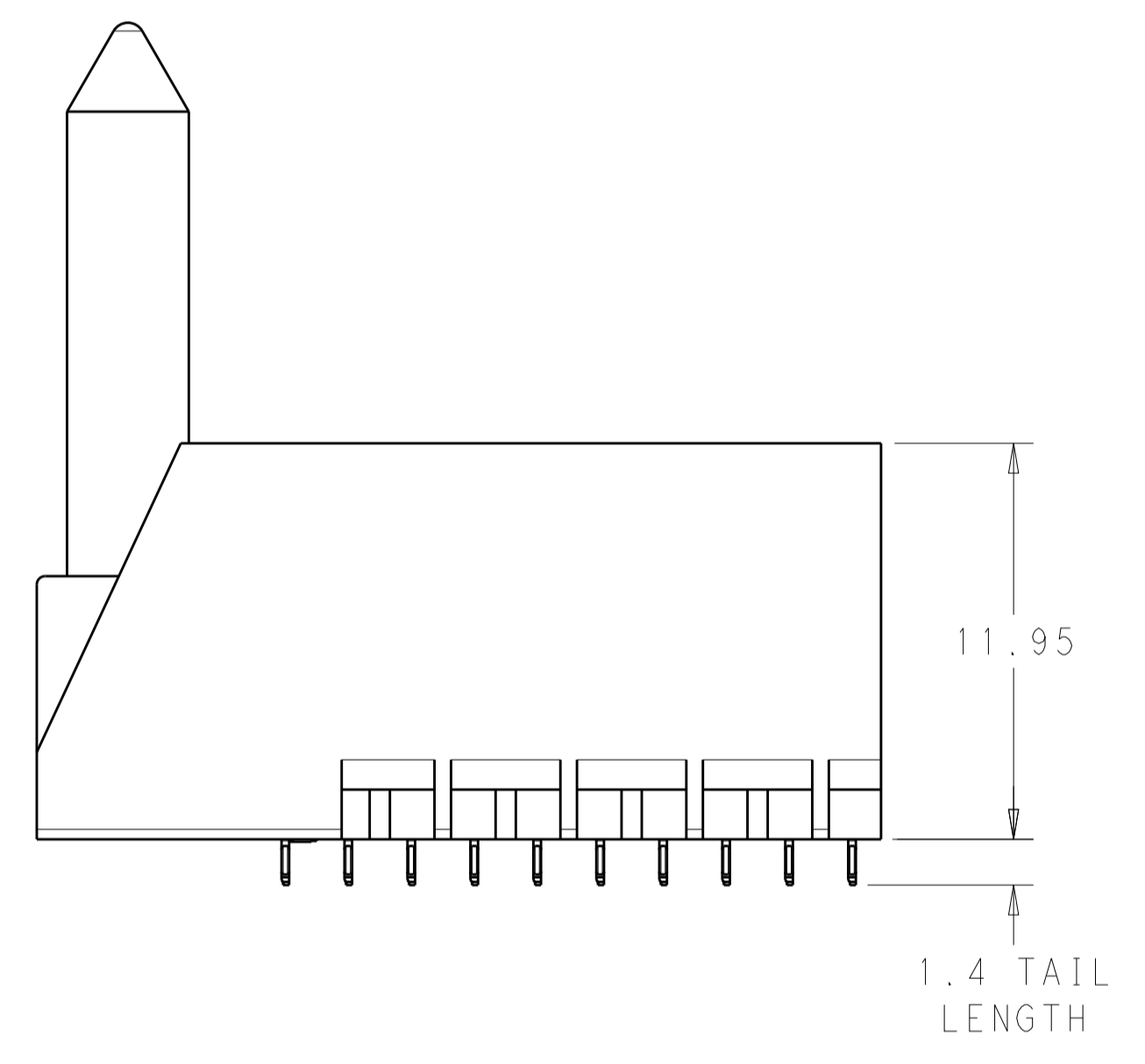
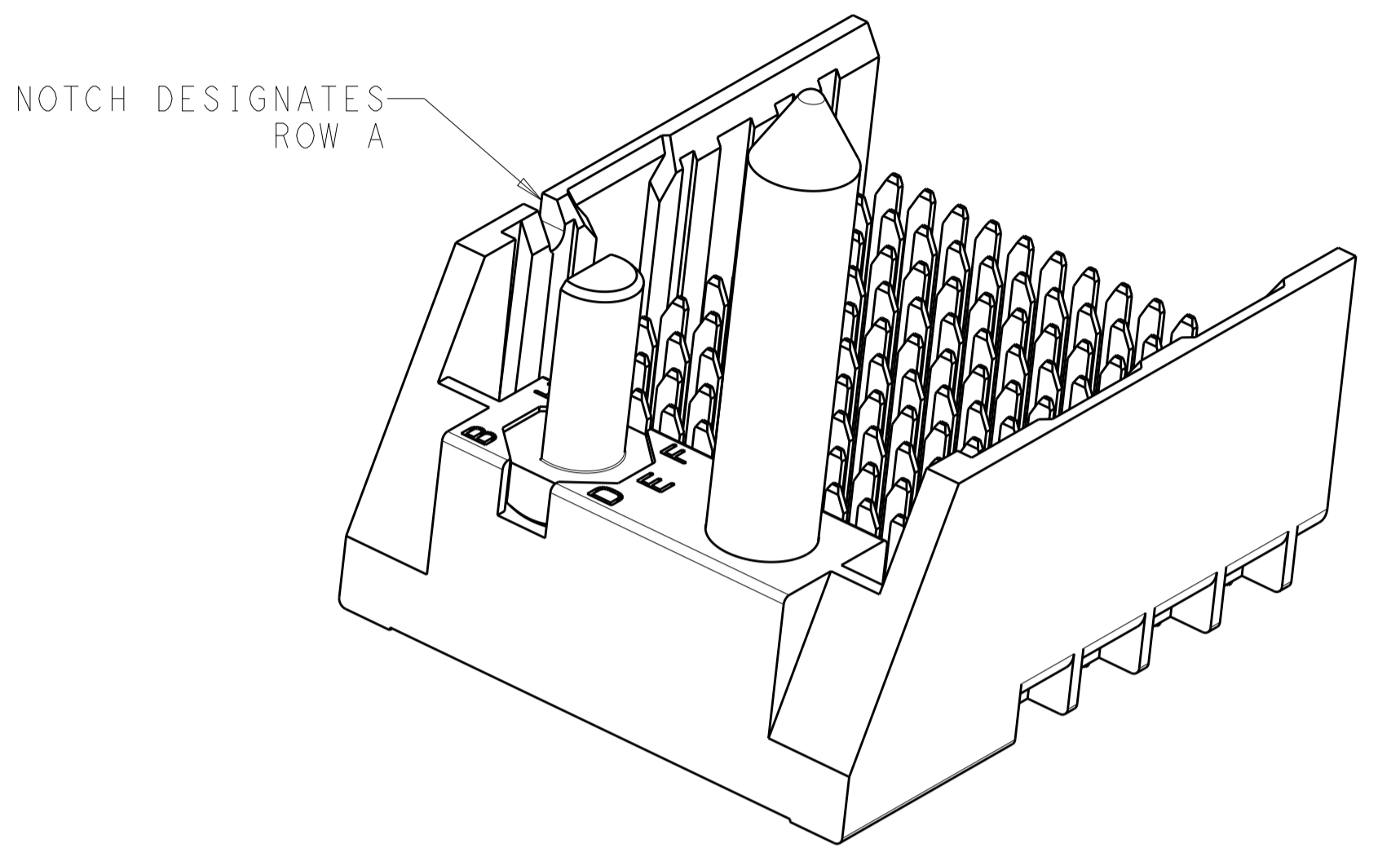
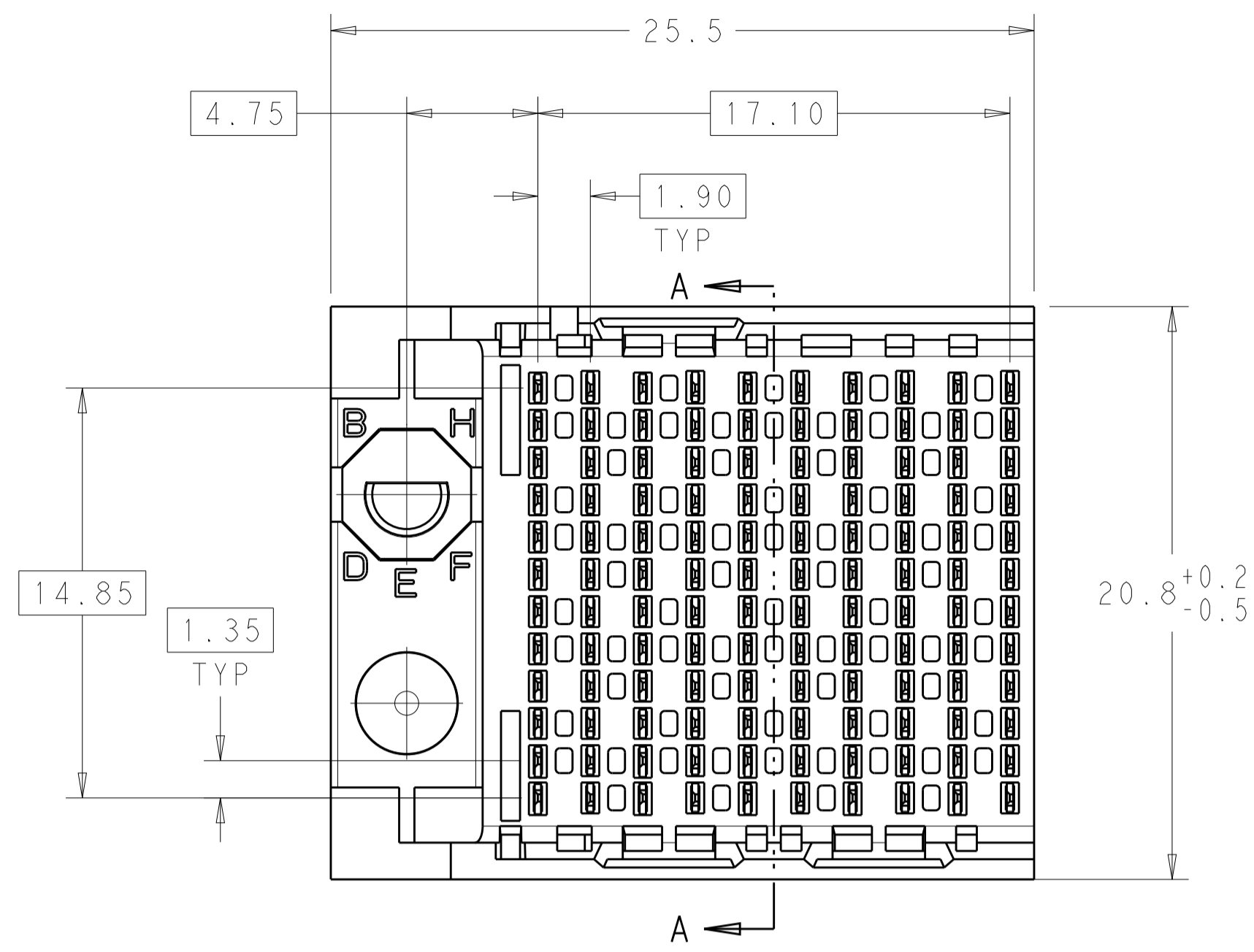


LOC		DIST		REVISIONS			
AD	00	P	LTN	DESCRIPTION	DATE	DWN	APVD
		A		REVISED PER ECO-15-003242	24MAR2015	AP	DD

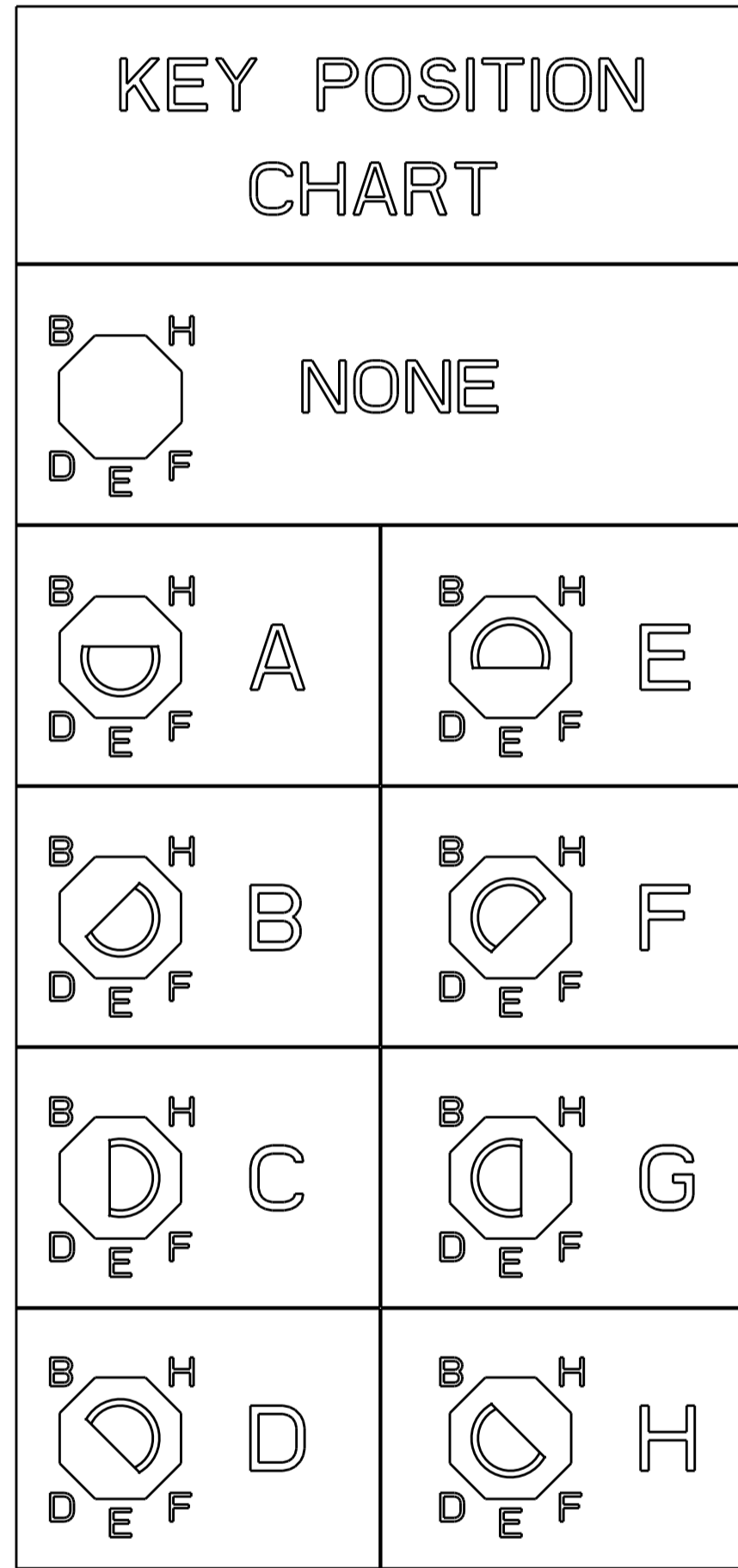


THIS DRAWING IS A CONTROLLED DOCUMENT.		DWN	11DEC2012	TE Connectivity
DIMENSIONS: mm		CHK	D. DIXON 11DEC2012	
TOLERANCES UNLESS OTHERWISE SPECIFIED:		APVD	D. DIXON 11DEC2012	NAME
0 PLC	±	PRODUCT SPEC		IMPACT, 85 OHM, STANDARD, 4 PAIR PLUS, 10 COLUMN HEADER, LEFT GUIDED, OPEN ENDWALL, SIGNAL MODULE
1 PLC	±0.25	APPLICATION SPEC		SIZE
2 PLC	±0.13	WEIGHT		A100779C=2198060
3 PLC	±	Customer Drawing		SCALE
4 PLC	±			5:1
ANGLES	±			SHEET
SEE TABLE				1
				OF
				2
				REV
				A

LOC	DIST	REVISIONS			
AD	00	REV	DATE	BY	APPV
-	-	SEE SHEET 1	-	-	-

H	0.46	5.5	8-2198060-6
H	0.46	4.9	8-2198060-5
H	0.46	4.5	8-2198060-4
H	0.39	5.5	8-2198060-3
H	0.39	4.9	8-2198060-2
H	0.39	4.5	8-2198060-1
G	0.46	5.5	7-2198060-6
G	0.46	4.9	7-2198060-5
G	0.46	4.5	7-2198060-4
G	0.39	5.5	7-2198060-3
G	0.39	4.9	7-2198060-2
G	0.39	4.5	7-2198060-1
F	0.46	5.5	6-2198060-6
F	0.46	4.9	6-2198060-5
F	0.46	4.5	6-2198060-4
F	0.39	5.5	6-2198060-3
F	0.39	4.9	6-2198060-2
F	0.39	4.5	6-2198060-1
E	0.46	5.5	5-2198060-6
E	0.46	4.9	5-2198060-5
E	0.46	4.5	5-2198060-4
E	0.39	5.5	5-2198060-3
E	0.39	4.9	5-2198060-2
E	0.39	4.5	5-2198060-1
D	0.46	5.5	4-2198060-6
D	0.46	4.9	4-2198060-5
D	0.46	4.5	4-2198060-4
D	0.39	5.5	4-2198060-3
D	0.39	4.9	4-2198060-2
D	0.39	4.5	4-2198060-1
C	0.46	5.5	3-2198060-6
C	0.46	4.9	3-2198060-5
C	0.46	4.5	3-2198060-4
C	0.39	5.5	3-2198060-3
C	0.39	4.9	3-2198060-2
C	0.39	4.5	3-2198060-1
B	0.46	5.5	2-2198060-6
B	0.46	4.9	2-2198060-5
B	0.46	4.5	2-2198060-4
B	0.39	5.5	2-2198060-3
B	0.39	4.9	2-2198060-2
B	0.39	4.5	2-2198060-1
A	0.46	5.5	1-2198060-6
A	0.46	4.9	1-2198060-5
A	0.46	4.5	1-2198060-4
A	0.39	5.5	1-2198060-3
A	0.39	4.9	1-2198060-2
A	0.39	4.5	1-2198060-1
-	0.46	5.5	2198060-6
-	0.46	4.9	2198060-5
-	0.46	4.5	2198060-4
-	0.39	5.5	2198060-3
-	0.39	4.9	2198060-2
-	0.39	4.5	2198060-1
KEY POSITION	P PLATED THROUGH HOLE SIZE	M POST LENGTH	PART NUMBER

- 1 MATERIAL:
HOUSING: LCP, GLASS FILLED, UL94V-0.
TERMINALS: HIGH PERFORMANCE COPPER ALLOY.
- 2 FINISH:
30μ" MIN GOLD IN CONTACT AREA. SELECTIVE TIN
ON PCB TAILS, NICKEL OVERALL.
- 3. SCREWS PACKAGED IN END OF PACKAGING TUBE.
- 4 FOR GROUNDED GUIDE PIN USE Ø3.56±0.08 PTH,
Ø3.66 DRILL, AND Ø6.5 PAD.
- 5. KEYING PIN SHOWN IN POSITION A, SEE KEYING CHART
ON SHEET 2 FOR OTHER POSITIONS.



REFER TO WWW.TE.COM
FOR PRODUCT AVAILABILITY

THIS DRAWING IS A CONTROLLED DOCUMENT.		DWN - 11DEC2012	TE Connectivity
DIMENSIONS: mm		CHK D. DIXON 11DEC2012	
TOLERANCES UNLESS OTHERWISE SPECIFIED:		APVD D. DIXON 11DEC2012	NAME: IMPACT, 85 OHM, STANDARD, 4 PAIR PLUS, 10 COLUMN HEADER, LEFT GUIDED, OPEN ENDWALL, SIGNAL MODULE
0 PLC ±0.25		PRODUCT SPEC	
1 PLC ±0.13		APPLICATION SPEC	SIZE: CAGE CODE: DRAWING NO: RESTRICTED TO:
2 PLC ±		WEIGHT	A100779C=2198060
3 PLC ±		Customer Drawing	SCALE 5:1 SHEET 2 OF 2 REV A
4 PLC ±			
ANGLES			
FINISH SEE TABLE			