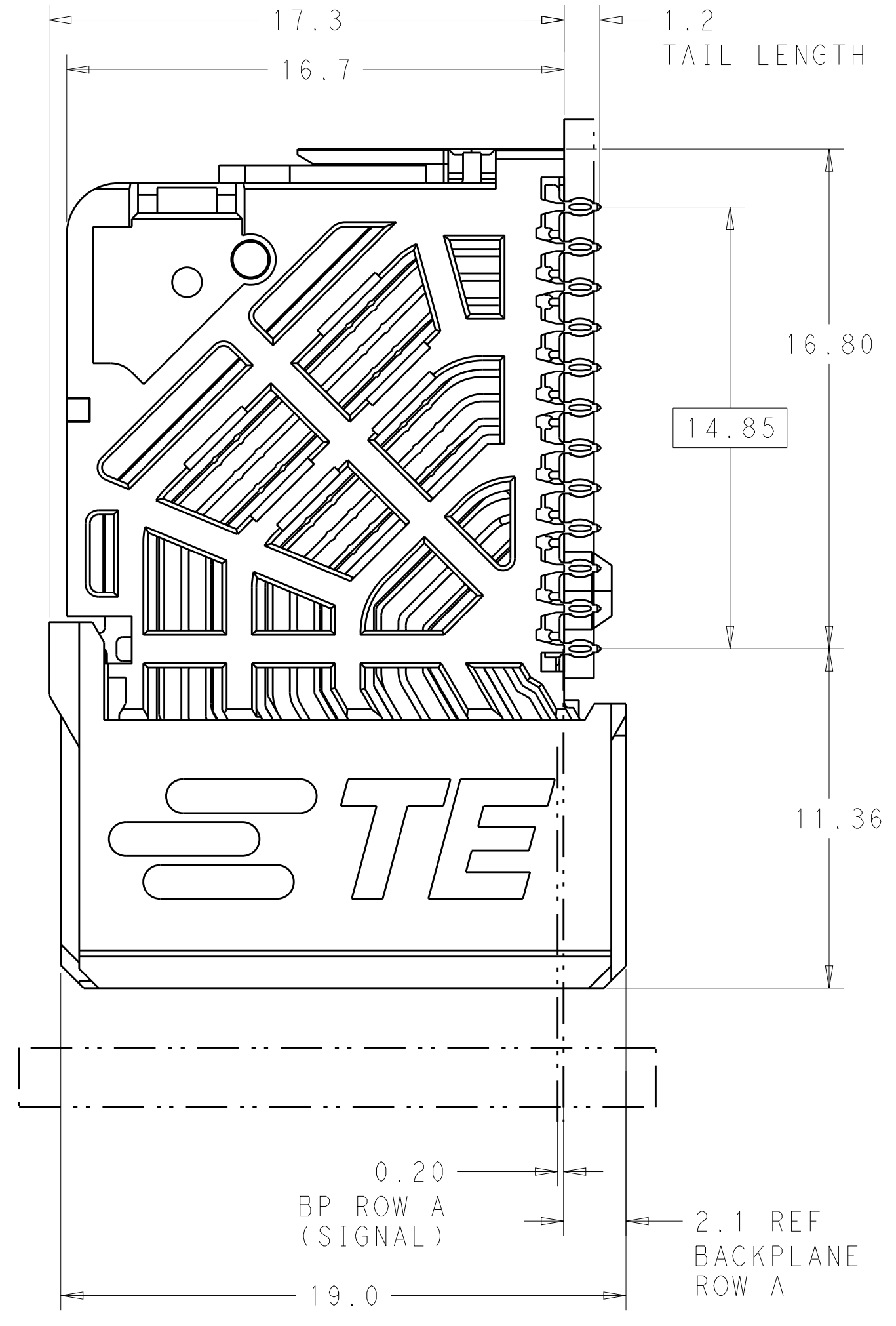
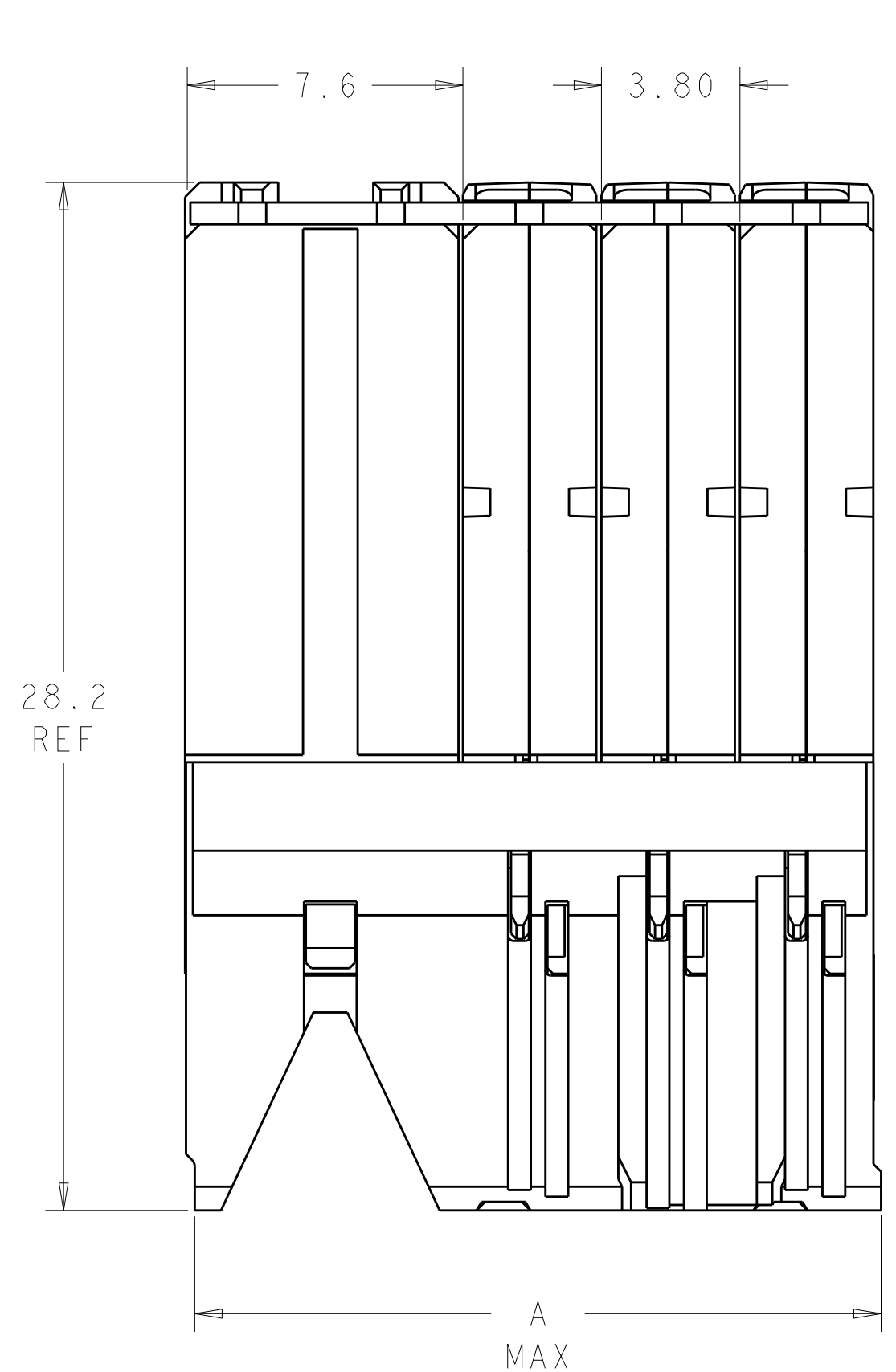
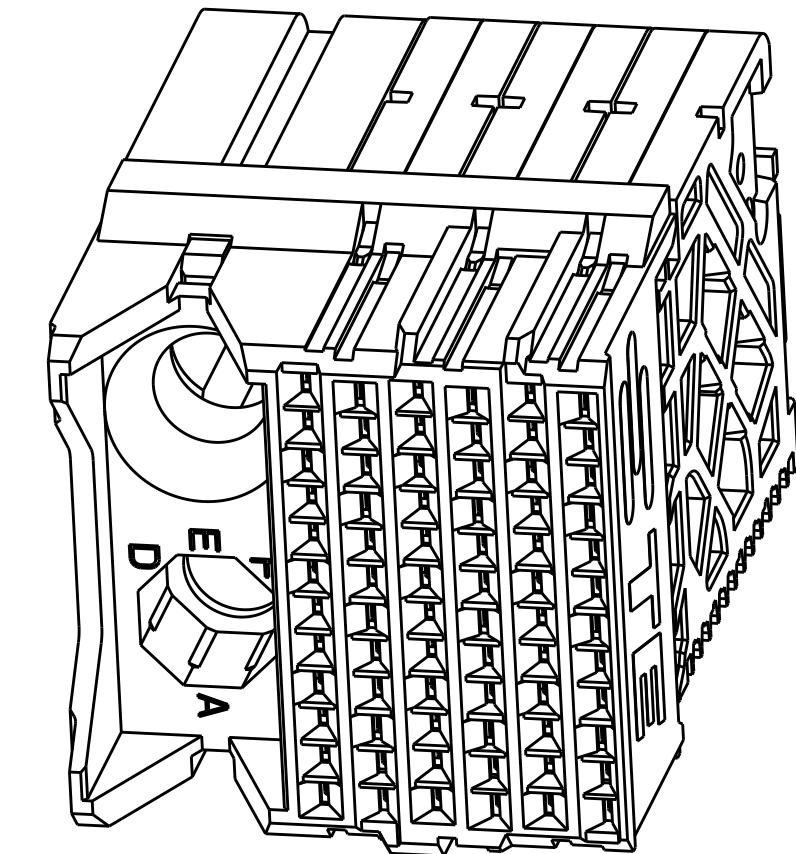


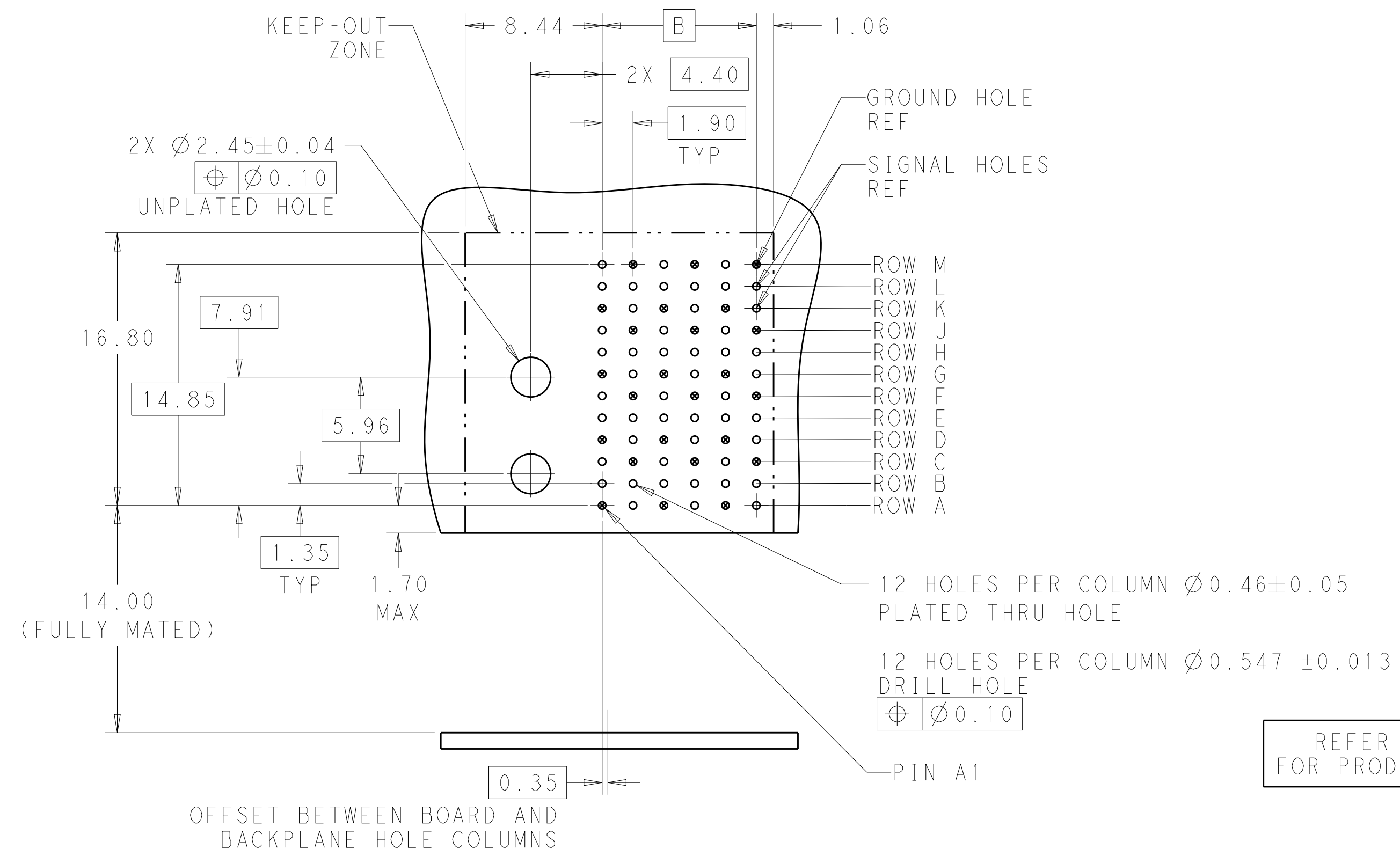
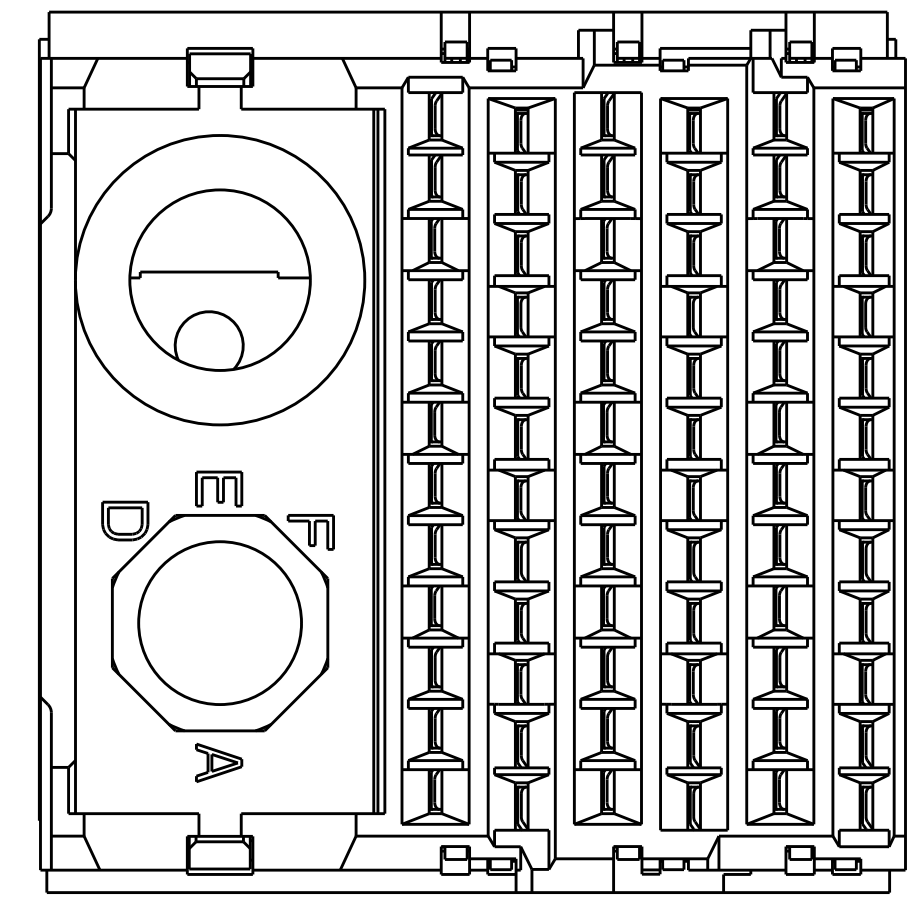
LOC	DIST	REVISIONS			
P	LTN	DESCRIPTION	DATE	OWN	APVD
A		REVISED PER ECO-15-003242	24MAR2015	AP	DD



- ⚠ MATERIAL:
 HOUSING: LCP, GLASS FILLED, UL94V-0.
 TERMINALS: HIGH PERFORMANCE COPPER ALLOY.
2. FINISH:
 30μ" SELECTIVE GOLD IN CONTACT AREA. SELECTIVE TIN ON PCB TAILS, NICKEL OVERALL.
4. CONNECTORS SUPPLIED WITH MOUNTING SCREWS.



SCALE 4:1



KEY POSITION CHART	
	NONE

8-	H
7-	G
6-	F
5-	E
4-	D
3-	C
2-	B
1-	A
	NONE
X	KEY POSITION

KEYING TABLE

B	A	COLUMN SIZE	PART NUMBER (SEE KEYING TABLE FOR 'X')
36.10	45.45	20	X-2198789-8
32.30	41.65	18	X-2198789-7
28.50	37.85	16	X-2198789-6
24.70	34.05	14	X-2198789-5
20.90	30.25	12	X-2198789-4
17.10	26.45	10	X-2198789-3
13.30	22.65	8	X-2198789-2
9.50	18.85	6	X-2198789-1

REFER TO WWW.TE.COM FOR PRODUCT AVAILABILITY

OFFSET BETWEEN BOARD AND BACKPLANE HOLE COLUMNS
 RECOMMENDED PCB LAYOUT
 MIN BOARD THICKNESS 1.0

THIS DRAWING IS A CONTROLLED DOCUMENT. OWN: R. IRAN, HOL: 04DEC2012, CHK: D. DIXON, 04DEC2012, APVD: D. DIXON, 04DEC2012. NAME: IMPACT, 85 OHM, STANDARD, 4 PAIR PLUS, DAUGHTERCARD, LEFT GUIDED, SIGNAL MODULE, 0.46 EYELET. PRODUCT SPEC: APPLICATION SPEC: SIZE: CAGE CODE: DRAWING NO: A100779, REV: 2198789. RESTRICTED TO: Customer Drawing. SCALE: 6:1, SHEET: 1 OF 1, REV: A.