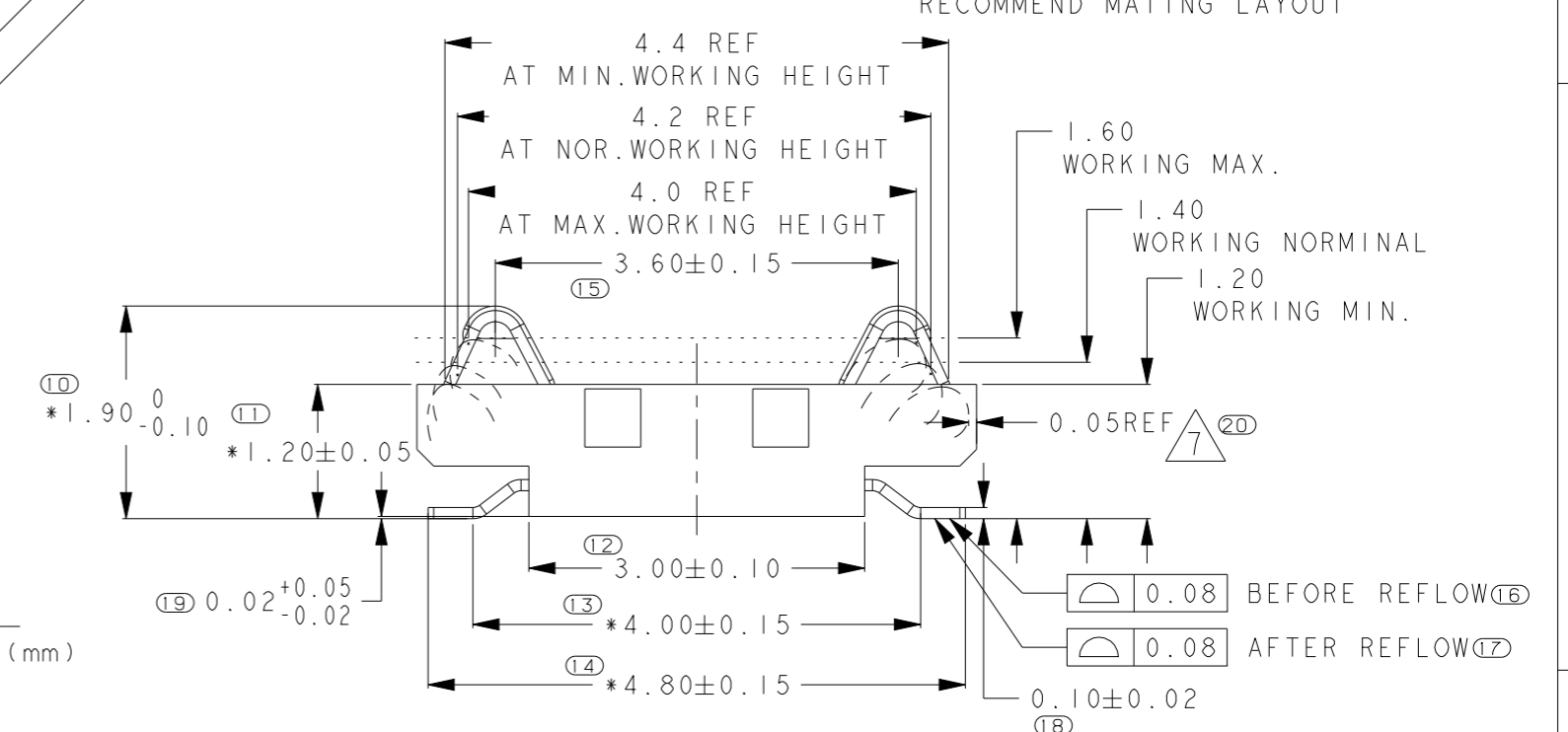
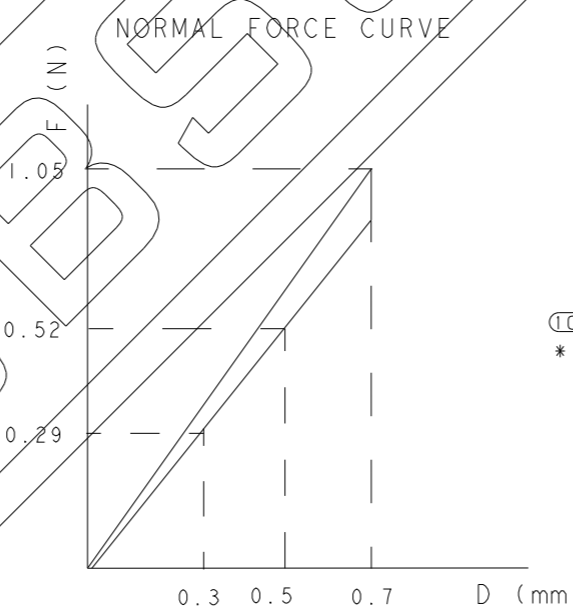
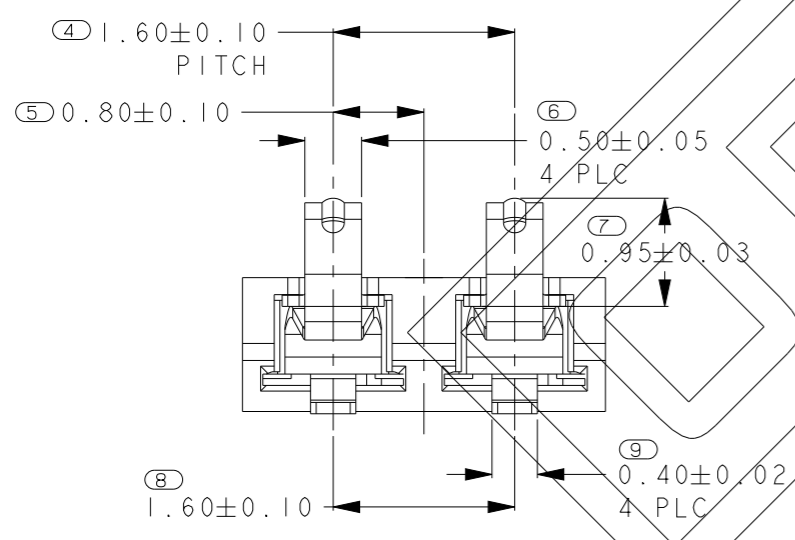
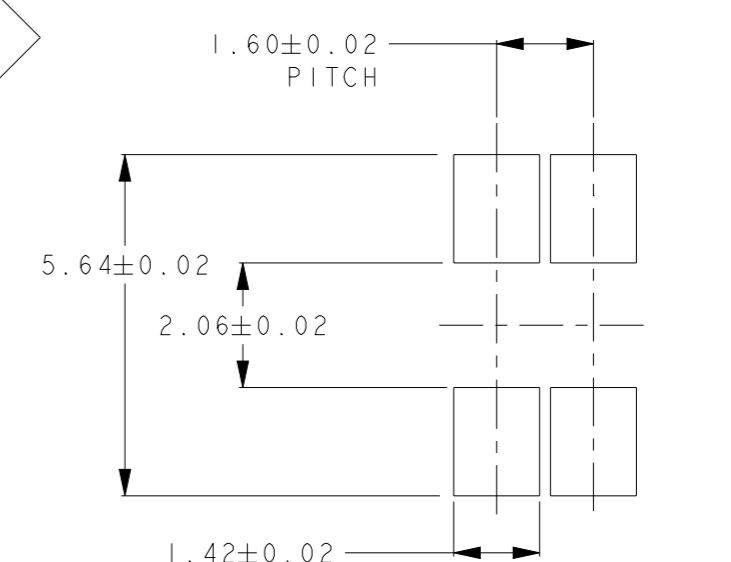
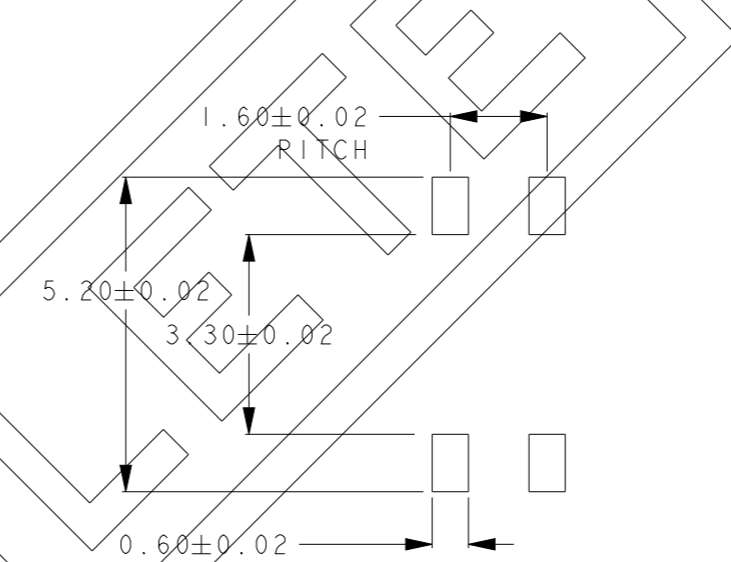
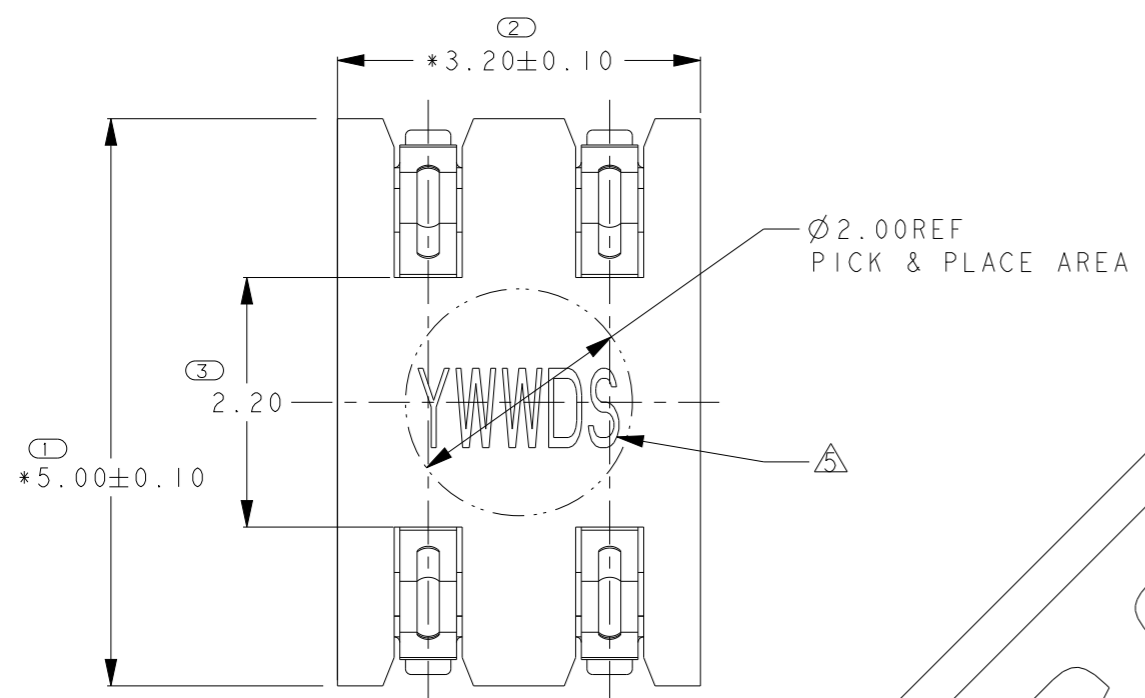


THIS DRAWING IS UNPUBLISHED. RELEASED FOR PUBLICATION 20
 © COPYRIGHT 20 ALL RIGHTS RESERVED.

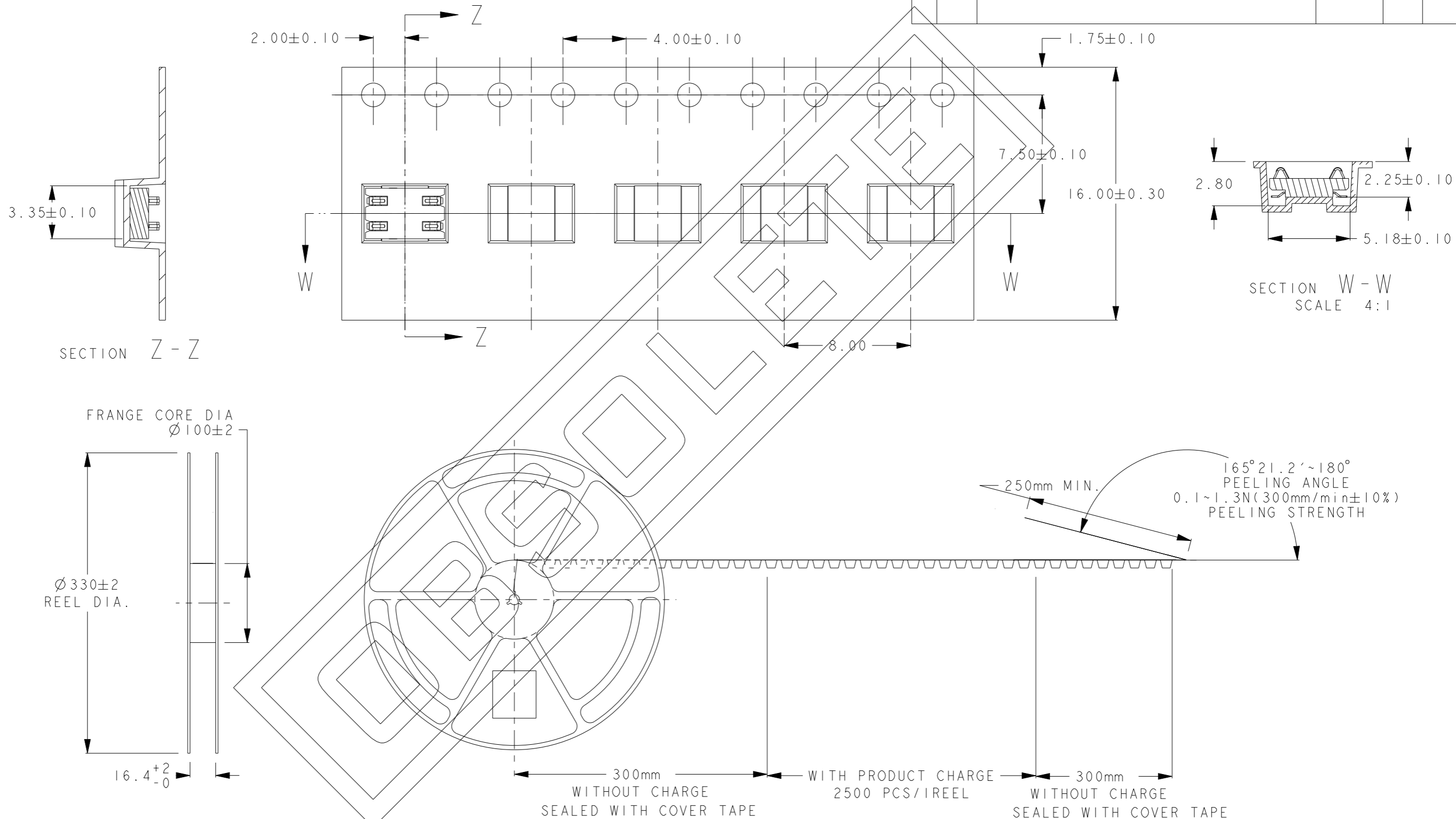
LOC	DIST	REVISIONS			
P	LTR	DESCRIPTION	DATE	DWN	APVD
ES		B3	EOL AS PER ECR-24-209467	31MAY2024	SSM SPS

PART NUMBER: 2199172-2



- NOTES:
- 1 MATERIAL
TERMINAL: COPPER ALLOY, THICKNESS 0.10mm.
HOUSING: HIGH TEMPERATURE THERMO PLASTIC UL94V-0 BLACK
 - 2 FINISH
TERMINAL: 0.1~0.2 μ m GOLD PLATING ON CONTACT AREA, 1.27 MIN. NICKLE UNDER PLATING, 0.025~0.075 μ m GOLD PLATING ON SOLDERING AREA
 - 3 COPLANARITY: BEFORE REFLOW 0.08 MAX.; AFTER REFLOW 0.1 MAX.
 - 4 PACKAGING: TAPE & REEL.
DATE CODE: "YWWDS"
YWW = PRODUCTION DATE (YEAR, WEEK, DAY).
S = SHIFT (D=DYA, N=NIGHT)
 - 6 CONTACT CAN NOT TOUCH PCB & TAIL WHEN PRESS TO HOUSING SURFACE.
 - 7 CONTACT CAN NOT EXCEED HOUSING EDGE WHEN PRESS TO HOUSING SURFACE.
 - 8 * MEANS KEY DIMENSIONS FOR CUSTOMER

THIS DRAWING IS A CONTROLLED DOCUMENT.		DWN	13NOV2013	STE TE Connectivity
		CHK	13NOV2013	
		APVD	13NOV2013	
		PRODUCT SPEC	WENKE HE	
DIMENSIONS: mm		TOLERANCES UNLESS OTHERWISE SPECIFIED: ± 0.15		NAME
		0 PLC \pm 1 PLC \pm 2 PLC \pm 3 PLC \pm 4 PLC \pm ANGLES $\pm 3^\circ$		ONE PIECE BtoB CONNECTOR 4 PINS, 1.6MM PITCH, HI. 4, TWO ROWS
		MATERIAL FINISH		SIZE CAGE CODE DRAWING NO RESTRICTED TO
		WEIGHT		A300779 C-2199172
		CUSTOMER DRAWING		SCALE 20:1 SHEET 1 OF 2 REV B3



SECTION Z - Z

SECTION W - W
SCALE 4:1

FRANGE CORE DIA
 $\phi 100 \pm 2$

$\phi 330 \pm 2$
REEL DIA.

16.4^{+2}_{-0}

300mm
WITHOUT CHARGE
SEALED WITH COVER TAPE

WITH PRODUCT CHARGE
2500 PCS/REEL

300mm
WITHOUT CHARGE
SEALED WITH COVER TAPE

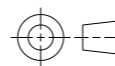
PART NUMBER: 2199172-2

- NOTES:
- MATERIAL: P.S CLEAR, 0.4MM THICKNESS
 - QUANTITY PER REEL: 2500 PIECES

THIS DRAWING IS A CONTROLLED DOCUMENT.

DIMENSIONS:
mm

TOLERANCES UNLESS
OTHERWISE SPECIFIED:
 \pm



0 PLC	\pm
1 PLC	\pm
2 PLC	\pm
3 PLC	\pm
4 PLC	\pm
ANGLES	$\pm 3^\circ$
FINISH	2

MATERIAL

1

2

DWN 13NOV2013

RAY WANG

CHK 13NOV2013

WENKE HE

APVD 13NOV2013

WENKE HE

PRODUCT SPEC

-

APPLICATION SPEC

-

WEIGHT

-

CUSTOMER DRAWING

NAME

ONE PIECE B to B CONNECTOR
4 PINS, 1.6MM PITCH, H1.4, TWO ROWS

SIZE

A300779

CAGE CODE

DRAWING NO

C-2199172

RESTRICTED TO

-



TE Connectivity

SCALE 20:1

SHEET 2 OF 2

REV B3